

SUGGESTED SPECIFICATIONS: _____ projection screen(s),
 _____(H) x _____(W), Ambient light rejecting screen surface
 standard with reinforced tabbed holes on all four sides that attaches to frame
 with elastic rings. Frame will conceal holes and rings. Screen frame will be 2½"
 wide x 1½" deep with a tapered front edge to reduce shadows on the screen

surface. Frame to be made of aluminum and finished with black Pro-Trim®
 fabric covering to enhance appearance and absorb light surrounding the
 viewing area. Frame will be slip-jointed at corners and joints. Standard wall-
 mounting brackets will be included.

HDTV (16:9) Format Dimensions

Viewing Area (H x W)		Nominal Diagonal		Overall Dimensions		Actual Weight		Approx. Ship. Wt.	
In.	Cm	In.	Cm	In.	Cm	Lbs.	Kg	Lbs.	Kg
37½" x 67"	95 x 170	77"	196	42½" x 72"	108 x 183	25	11.3	29	13.2
40½" x 72"	103 x 183	82"	208	45½" x 77"	116 x 196	26	11.8	30	13.6
45" x 80"	114 x 203	92"	234	50" x 85"	127 x 216	28	12.7	34	15.4
49" x 87"	124 x 221	100"	254	54" x 92"	137 x 234	30	13.6	36	17.7
52" x 92"	132 x 234	106"	269	57" x 97"	145 x 246	31	14.1	39	17.7
54" x 96"	137 x 244	110"	279	59" x 101"	150 x 257	32	14.5	40	18.1
59" x 104½"	150 x 265	120"	305	64" x 109½"	163 x 278	34	15.4	42	19

Wide (16:10) Format Dimensions

Viewing Area (H x W)		Nominal Diagonal		Overall Dimensions		Actual Weight		Approx. Ship. Wt.	
In.	Cm	In.	Cm	In.	Cm	Lbs.	Kg	Lbs.	Kg
44½" x 71½"	113 x 182	84"	213	49½" x 76½"	126 x 194	26	11.8	32	14.5
50" x 80"	127 x 203	94"	239	55" x 85"	140 x 216	28	12.7	34	15.4
57½" x 92"	146 x 234	109"	277	62½" x 97"	159 x 246	31	14.1	39	17.7

Cinemascope (2.35:1) Format Dimensions

Viewing Area (H x W)		Nominal Diagonal		Overall Dimensions		Actual Weight		Approx. Ship. Wt.	
In.	Cm	In.	Cm	In.	Cm	Lbs.	Kg	Lbs.	Kg
37½" x 88"	95 x 224	96"	244	42½" x 93"	108 x 236	28	12.7	36	16.3
40½" x 95"	103 x 241	103"	262	45½" x 100"	116 x 254	30	13.6	38	17.2
45" x 106"	114 x 269	115"	292	50" x 111"	127 x 282	32	14.5	40	18.1
49" x 115"	124 x 292	125"	318	54" x 120"	137 x 305	34	15.4	42	19.1
52" x 122"	132 x 310	133"	338	57" x 127"	145 x 323	35	15.9	43	19.5
54" x 126"	137 x 320	138"	351	59" x 131"	150 x 333	36	16.3	46	20.9
58" x 136½"	147 x 347	148"	376	63" x 141½"	160 x 359	39	17.7	48	21.8

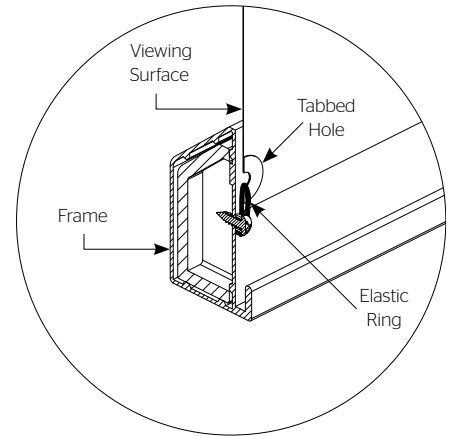
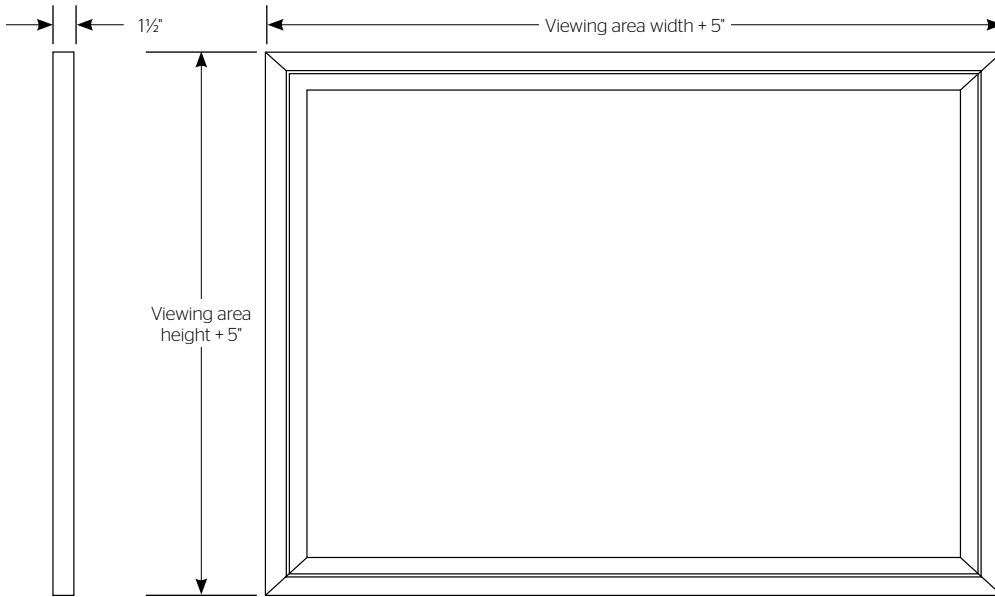
PRODUCT NOTES

- Overall dimensions +/- 1/4".
- Custom formats and sizes available upon request. Custom sizes limited to 59" in viewable height.
- Specifications subject to change without notice.

WHEN ORDERING, MARK APPROPRIATE SELECTIONS

1. Select Size from Charts.
2. Select viewing surface (All Da-Lite surfaces are GREENGUARD GOLD Certified):
 - Parallax 0.8
 - Parallax 2.3
 - Parallax UST 0.45
3. Select Optional Accessories:
 - T-Legs (must be ordered at the same time as screen).

PRODUCT VIEW



Viewing Surface & Frame Detail

Project Name: _____

Architect: _____

Contractor: _____ Phone: _____

Reseller: _____ Phone: _____



FOR YOUR IMAGE | legrandav.com

USA P 866.977.3901 E info@da-lite.com
 CANADA P 877.345.4329 E canadainfo@milestone.com
 EMEA P +31 495 580 840 E emea.sales@milestone.com
 APAC P +852 2145 4099 E asia.da-lite@milestone.com

In British Columbia, Milestone AV Technologies ULC carries on business as MAVT Milestone AV Technologies ULC.
 ©2018 Milestone AV Technologies. DL-0607 (Rev. 2) 7/18 Da-Lite is a registered trademark of Milestone AV Technologies. All other brand names or marks are used for identification purposes and are trademarks of their respective owners. All patents are protected under existing designations. Other patents pending.

A brand of  **legrand**

MILESTONE IS NOW LEGRAND

Commercial AV Brands Chief | Da-Lite | Middle Atlantic | Projecta | Vaddio