



## FEATURES

- 1 CENTRIS' TECHNOLOGY**  
**PATENTED FEATURE**  
 Provides smooth fingertip tilt in all directions using the screen's center of gravity. Screen angle stays set until you decide to readjust.
- 2 ADVANCED DISPLAY MOUNTING**  
 Teardrop hole pattern makes mounting the screen quick and easy.
- 3 INDEPENDENT ADJUSTMENT**  
 Adjust each screen independently for ergonomic alignment.
- 4 CABLE MANAGEMENT**  
 Conceal and protect cables using snap-on covers and cable clip.
- 5 STABLE CLAMP**  
 Heavy-duty, solid steel desk clamp and oversized pole for unmatched stability.

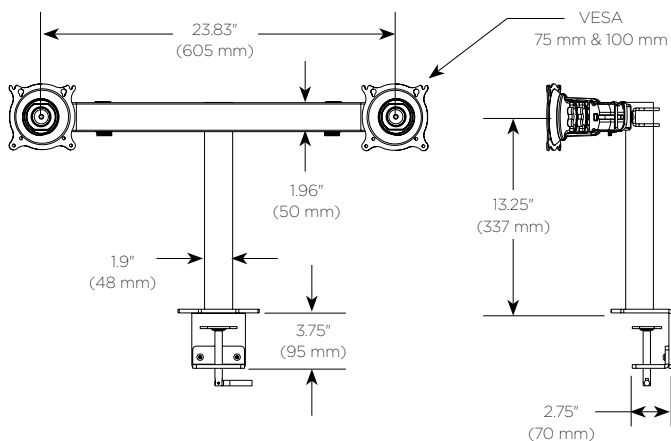


## SPECIFICATIONS

Pole Height	14" (356 mm)
Max. Width Per Monitor	22.7" (577 mm)
Max. Height Per Monitor	26" (660 mm)
Tilt	±15°
Weight Capacity Per Monitor*	35 lbs (15.9 kg)
Desk Thickness	0 - 3.25" (0 - 83 mm)
Colors	Black, Silver

\* Weight capacity given for KTC220. See [chiefmfg.com](http://chiefmfg.com) for more information on other product options.

## TECHNICAL DRAWINGS

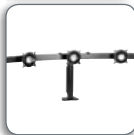


## WHAT YOU NEED TO KNOW

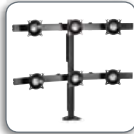
### OTHER PRODUCT OPTIONS



**KTC225**  
 Widescreen Dual Desk Clamp



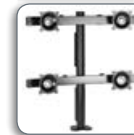
**KTC320 / KTC325**  
 Triple Horizontal Desk Clamp (standard/widescreen)



**KTC330**  
 Six Monitor Desk Clamp



**KTC230**  
 Dual Vertical Desk Clamp



**KTC440 / KTC445**  
 Quad Monitor Desk Clamp (standard/widescreen)

## RECOMMENDED ACCESSORIES



**KSA1024** ■ Centris Quick-Connect Interface



**KTA1001** ■ Array Connector



**KTA1028** ■ 28" (711 mm) Extension Column

For a complete list of monitor mount accessories see page 121.