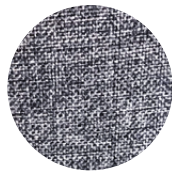


# THE BEST WAY TO ROLL OUT CONFERENCE ROOMS



Standard Heather Gray  
Fabric Detail

\*AVSFSS shown with  
LTM1U Mount - Sold separately

## AVSFSS

Chief has reinvented conference room installations and brought new speed with the Tempo™ Flat Panel Floor Support System. By using the floor for display support, you no longer require installation-halting wall inspections and remediation. Multiply that time and cost savings across enterprise rollouts and you'll agree this is the best way to roll out conference rooms!

## FEATURES

- Use with select Chief mounts (see Compatible Mount Specs chart)
- Easily installed in sheetrock, wood/steel studs or concrete
- Uprights can move independently along wall to avoid obstructions
- Cable management within uprights and behind the covers
- Lower cover aesthetic insert can be customized to match interior design finishes.
- Component storage panel comes standard
- Additional storage or rack storage accessories available
- Mount sold separately. Works with AVA1101, LTM1U, MTM1U, LSM1U, MSM1U, RXF2, RLF2 and RMF2



Tempo™ with Fusion™ all-in-one conferencing camera shelf accessory (FCA800HS) for Vaddio® HuddleSHOT. Shelf can be installed above or below display.

### SPECIFICATIONS

**Weight Capacity:**

200 lbs (90.7 kg)

**Display Center to Floor Range with:**

**Select Fusion® Wall Mounts:**

51.6-65.6" (1310-1651 mm)

**Select FIT™ Wall Mounts:**

54.4-68.4" (1381-1737 mm)

**Lateral Upright Spacing:**

16-24" (406-609 mm)

**Max Equipment Size for Storage Panel:**

13.4 x 10.7" (240 x 272 mm)

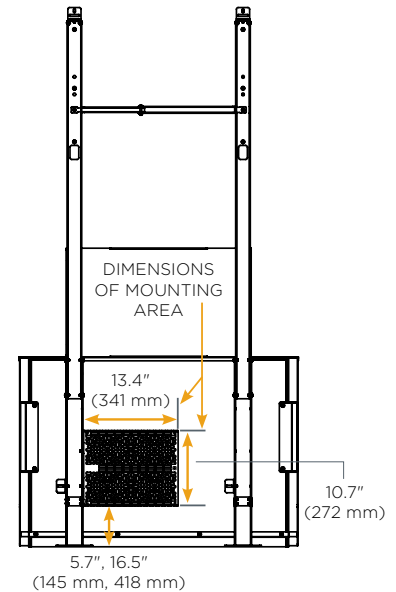
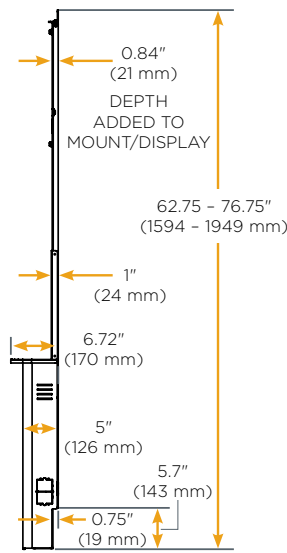
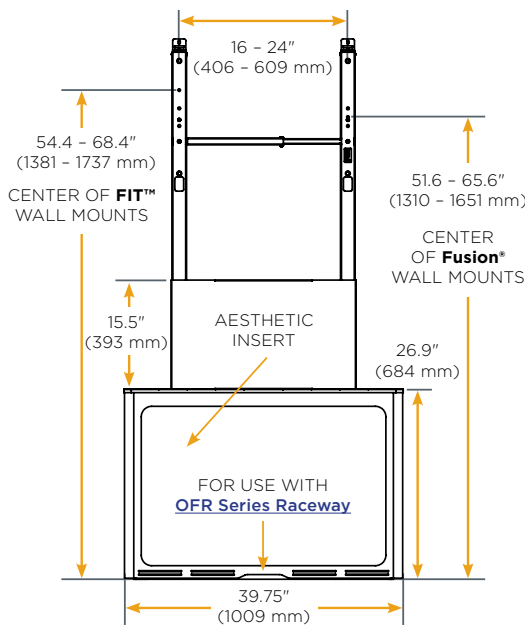
**Minimum Depth Added to Mount and Display:**

0.84" (22 mm)

**Aesthetic Insert Dimensions:**

24-25" H x 36-37" W x 0.156-0.75" D

(609-635 mm H x 914-939 mm W x 4-19 mm D)



### SYSTEM & ACCESSORIES

Model	Description	Weight Capacity (per display)	Typical Display Sizes
<a href="#">AVSFSS</a>	Flat Panel Floor Support System	200 lbs (90.7 kg)	46-100" (117-254 cm)
<a href="#">AVA1101</a>	Dual-Display Accessory	100 lbs (45.3 kg)	46-100" (117-254 cm)
<a href="#">AVA1102</a>	2 Rack-Unit Accessory	30 lbs (13.6 kg)	NA
<a href="#">AVA1103</a>	Flat Panel Floor Support System Component Storage Panel	20 lbs (9.07 kg)	NA

### COMPATIBLE MOUNT SPECS

Fusion®/Fit™	Mount	Min. Depth	Mounting Pattern	Tilt	Weight Capacity	Typical Screen Sizes*
Fusion®	<a href="#">LTM1U</a>	2" (51 mm)	100 x 100 - 878 x 500 mm	+2°, -12°	200 lbs (90.7 kg)	42-86"
Fusion®	<a href="#">MTM1U</a>	2" (51 mm)	100 x 100 - 650 x 400 mm	+2°, -12°	125 lbs (56.7 kg)	32-65"
Fusion®	<a href="#">LSM1U</a>	2" (51 mm)	100 x 100 - 871 x 500 mm	0	200 lbs (90.7 kg)	42-86"
Fusion®	<a href="#">MSM1U</a>	2" (51 mm)	100 x 100 - 642 x 400 mm	0	125 lbs (56.7 kg)	32-65"
Fit™	<a href="#">RXF2</a>	0.8" (20 mm)	200 x 100 - 855 x 500 mm	0	175 lbs (79.4 kg)	55-100"
Fit™	<a href="#">RLF2</a>	0.8" (20 mm)	100 x 100 - 670 x 400 mm	0	125 lbs (56.7 kg)	42-86"
Fit™	<a href="#">RMF2</a>	0.8" (20 mm)	100 x 100 - 445 x 400 mm	0	125 lbs (56.7 kg)	32-65"

\* Individual screen compatibility may vary



# ACCESSORIES

Tempo™ Dual-Display Accessory (AVA1101)

## AVSFSS COMPATIBLE ACCESSORIES

Fusion™ Accessories (MSM1U, LSM1U, LTM1U and MTM1U)						
Accessory Type	Camera Shelves		CPU Accessories	Misc.	Speaker Adapters	Security
	<a href="#">FCA800</a>	<a href="#">FCA810HS</a>	<a href="#">CSMP9X12</a>	<a href="#">AVA1102</a>	<a href="#">FCA830</a>	<a href="#">PAC138</a>
	<a href="#">FCA800HS</a>	<a href="#">FCA810V</a>	<a href="#">FCA112</a>	<a href="#">AVA1103</a>	<a href="#">FCA831</a>	
	<a href="#">FCA800V</a>	<a href="#">FCA811</a>		<a href="#">FCAC06B</a>	<a href="#">FCA840</a>	
	<a href="#">FCA801</a>	<a href="#">FCA812</a>			<a href="#">FCA841</a>	
	<a href="#">FCA803</a>	<a href="#">FCA813</a>				
	<a href="#">FCA810</a>	<a href="#">FCA850</a>				

FIT Mount Accessories (RXF2, RLF2, RMF2)		
Accessory Type	CPU Accessories	Security
		<a href="#">CSMP9X12</a>

## AVA1101 COMPATIBLE ACCESSORIES

Fusion™ Accessories (MSM1U, LSM1U, LTM1U and MTM1U)					
Accessory Type	Camera Shelves		CPU Accessories	Misc.	Speaker Adapters
	<a href="#">FCA800V</a>	<a href="#">FCA811</a>	<a href="#">CSMP9X12</a>	<a href="#">FCAC06B</a>	<a href="#">FCA830</a>
	<a href="#">FCA801</a>	<a href="#">FCA812</a>			<a href="#">FCA840</a>
	<a href="#">FCA803</a>	<a href="#">FCA813</a>			
	<a href="#">FCA810</a>	<a href="#">FCA820*</a>			
	<a href="#">FCA810HS</a>	<a href="#">FCA821*</a>			
	<a href="#">FCA810V</a>				

\*Display width dependent



Lower cover aesthetic insert can be customized to match interior design finishes.



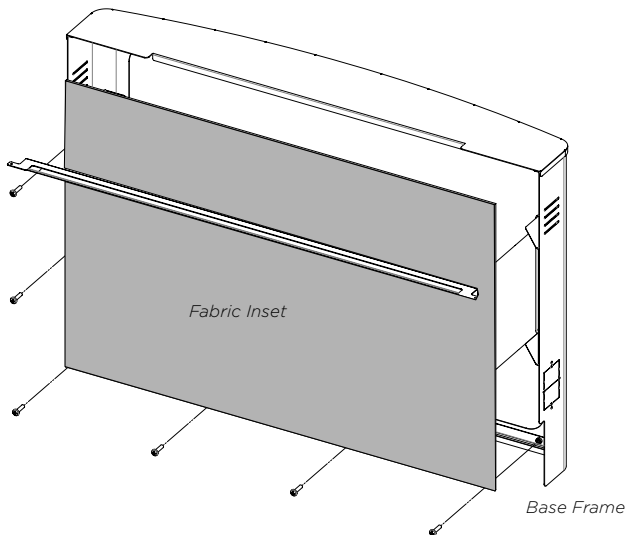
AVSFSS shown with LTM1U Mount - Sold separately





## CUSTOMIZATION

The fabric insert on the bottom panel can be customized to match existing décor, creating an aesthetic solution for any environment. Simply remove the standard heather gray material and replace with any fabric or laminate (see replacement instructions below). Need customizations for a large-scale installations of Tempo™? Contact us to learn how we can help: [av.chief.support@legrand.com](mailto:av.chief.support@legrand.com).



### AESTHETIC COVER REPLACEMENT

1. Remove eight Phillips screws holding aesthetic cover inside base cover and spanning bracket.
2. Remove aesthetic cover from base cover by sliding it first to one side and then out.
3. Replace with alternative cover (not included) and secure with removed screws.