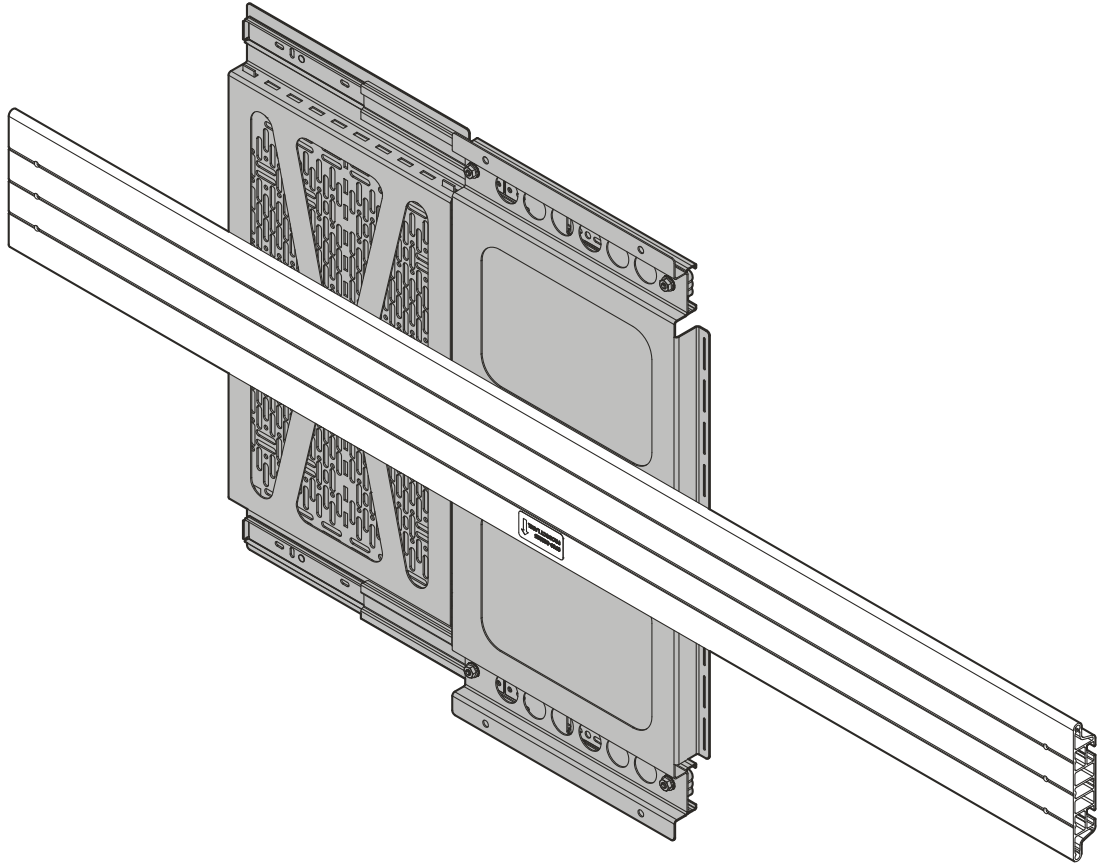

INSTALLATION INSTRUCTIONS



Sliding Storage Panel

DISCLAIMER

Legrand | AV and its affiliated corporations and subsidiaries (collectively "Legrand | AV"), intend to make this manual accurate and complete. However, Legrand | AV makes no claim that the information contained herein covers all details, conditions or variations, nor does it provide for every possible contingency in connection with the installation or use of this product. The information contained in this document is subject to change without notice or obligation of any kind. Legrand | AV makes no representation of warranty, expressed or implied, regarding the information contained herein. Legrand | AV assumes no responsibility for accuracy, completeness or sufficiency of the information contained in this document.

DEFINITIONS

MOUNTING SYSTEM: A MOUNTING SYSTEM is the primary Chief product to which an accessory and/or component is attached.

ACCESSORY: AN ACCESSORY is the secondary Chief product which is attached to a primary Chief product, and may have a component attached or setting on it.

COMPONENT: A COMPONENT is an audiovisual item designed to be attached or resting on an accessory or mounting system such as a video camera, CPU, screen, display, projector, etc.



WARNING: A WARNING alerts you to the possibility of serious injury or death if you do not follow the instructions.



CAUTION: A CAUTION alerts you to the possibility of damage or destruction of equipment if you do not follow the corresponding instructions.



IMPORTANT SAFETY INSTRUCTIONS



WARNING: Failure to read, thoroughly understand, and follow all instructions can result in serious personal injury, damage to equipment, or voiding of factory warranty! It is the installer's responsibility to make sure all accessories are properly assembled and installed using the instructions provided.



WARNING: Exceeding the weight capacity can result in serious personal injury or damage to equipment! It is the installer's responsibility to make sure the combined weight of all components attached to accessory does not exceed 15 lbs (6.8 kg).



WARNING: Use this accessory only for its intended use as described in these instructions. Do not use attachments not recommended by the manufacturer.



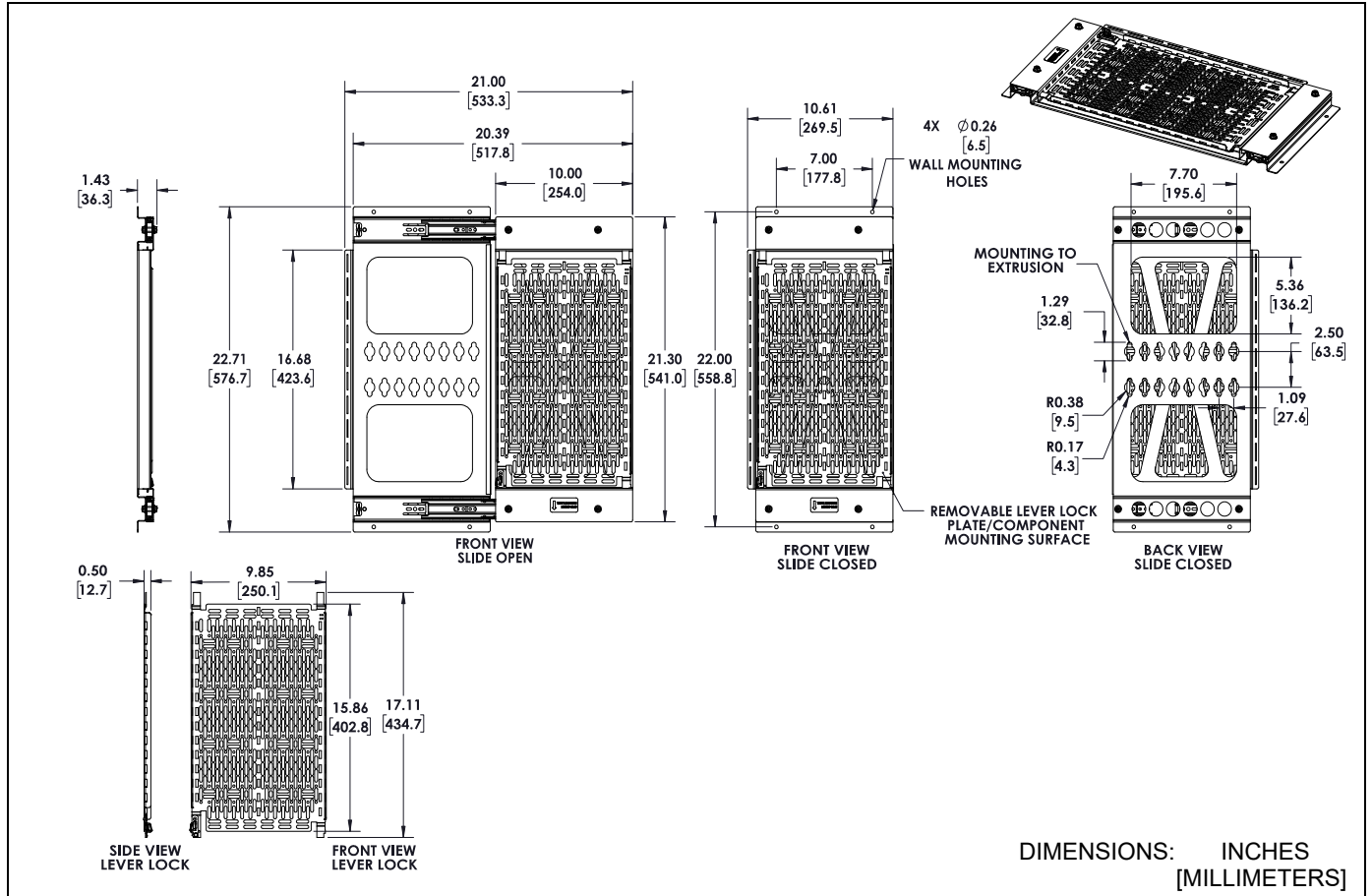
WARNING: Never operate this accessory if it is damaged. Return the accessory to a service center for examination and repair.



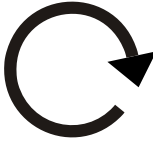

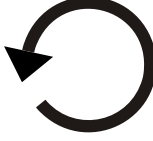


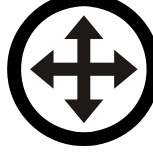






WARNING: Do not use this accessory outdoors.

--SAVE THESE INSTRUCTIONS--

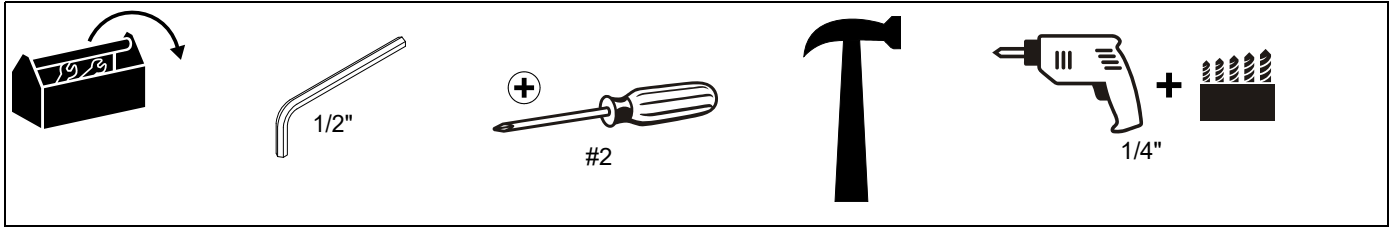
DIMENSIONS



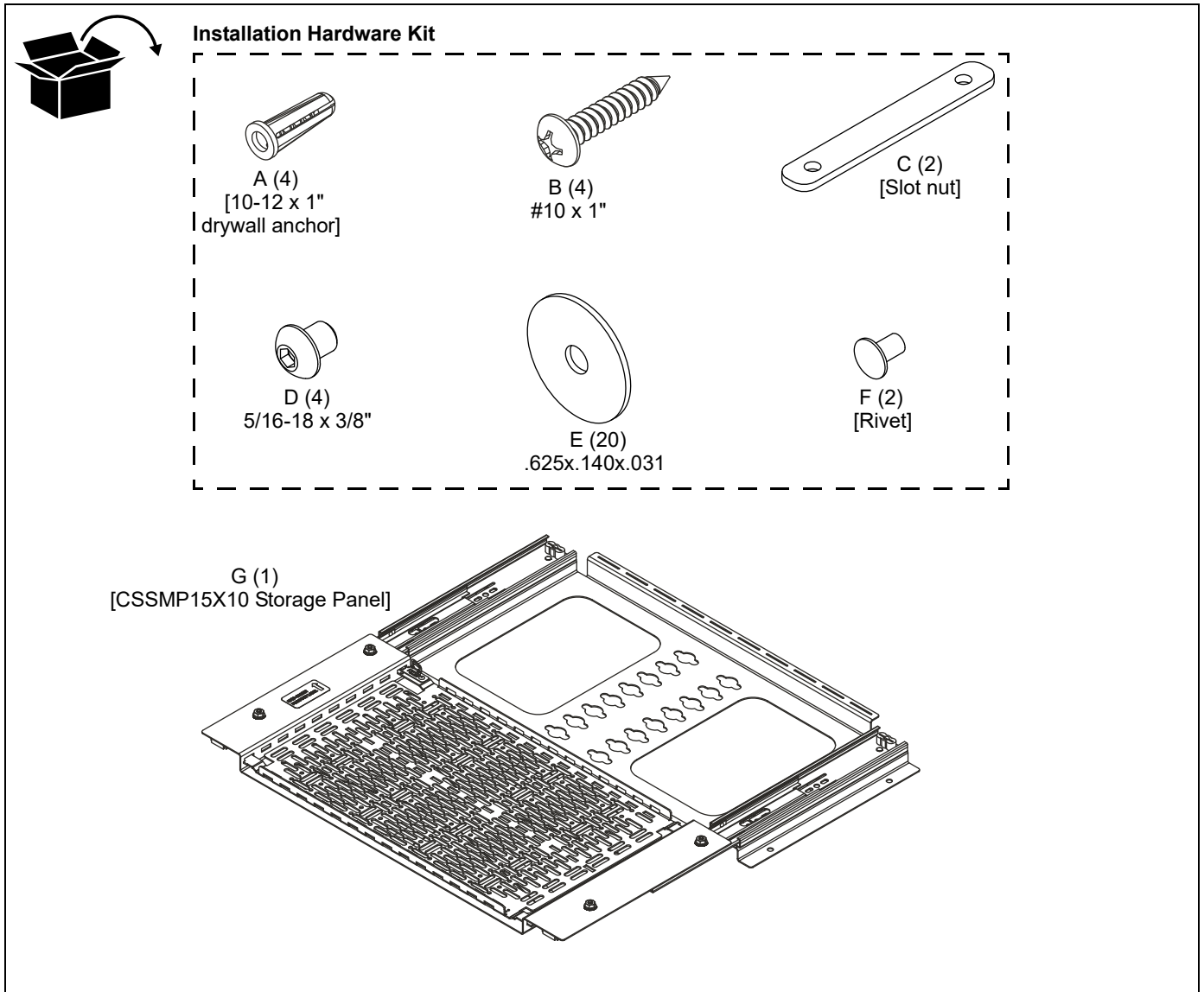
LEGEND

	Tighten Fastener Apretar elemento de fijación Befestigungsteil festziehen Apertar fixador Serrare il fissaggio Bevestiging vastdraaien Serrez les fixations		Pencil Mark Marcar con lápiz Stiftmarkierung Marcar com lápis Segno a matita Potloodmerkteken Marquage au crayon
	Loosen Fastener Aflojar elemento de fijación Befestigungsteil lösen Desapertar fixador Allentare il fissaggio Bevestiging losdraaien Desserrez les fixations		Drill Hole Perforar Bohrloch Fazer furo Praticare un foro Gat boren Percez un trou
	Phillips Screwdriver Destornillador Phillips Kreuzschlitzschraubendreher Chave de fendas Phillips Cacciavite a stella Kruiskopschroevendraaier Tournevis à pointe cruciforme		Adjust Ajustar Einstellen Ajustar Regolare Afstellen Ajuster
	Open-Ended Wrench Llave de boca Gabelschlüssel Chave de bocas Chiave a punte aperte Steeksleutel Clé à fourche		Remove Quitar Entfernen Remover Rimuovere Verwijderen Retirez
	By Hand A mano Von Hand Com a mão A mano Met de hand À la main		Optional Opcional Optional Opcional Opzionale Optie En option
	Hex-Head Wrench Llave de cabeza hexagonal Sechskantschlüssel Chave de cabeça sextavada Chiave esagonale Zeskantsleutel Clé à tête hexagonale		Security Wrench Llave de seguridad Sicherheitsschlüssel Chave de segurança Chiave di sicurezza Veiligheidssleutel Clé de sécurité

TOOLS REQUIRED FOR INSTALLATION



PARTS



INSTALLATION

NOTE: The storage panel (G) may be installed using either of two methods. Proceed to either **Installing Storage Panel to Wall** section OR **Installing Storage Panel to Extrusion** section.

Installing Storage Panel to Wall

NOTE: The storage panel (G) may be installed directly on the wall in one of two horizontal positions. (See Figure 1)

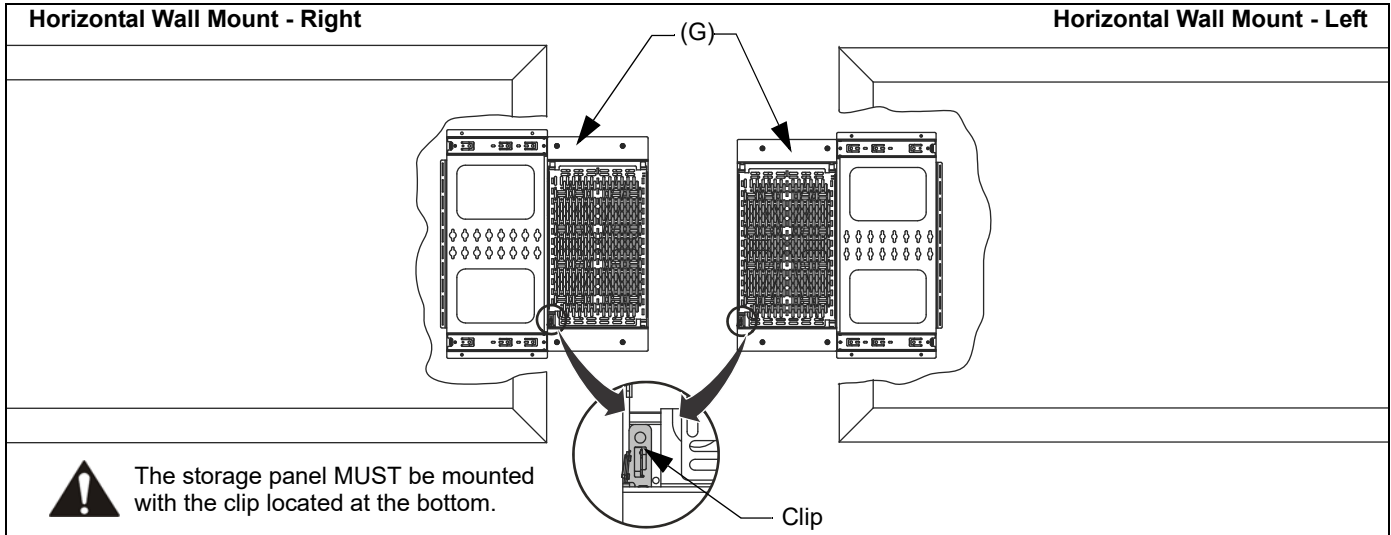


Figure 1

1. Determine location for the CMSSP15X10.
2. Using the CMSSP15X10 (G) as a template, mark the locations of four mounting holes. (See Figure 2)



CAUTION: The storage panel must be mounted with the clip at the bottom. (See Figure 1)

4. Fasten storage panel (G) to wall using four #10 x 1" Phillips pan wood screws (B). (See Figure 2)

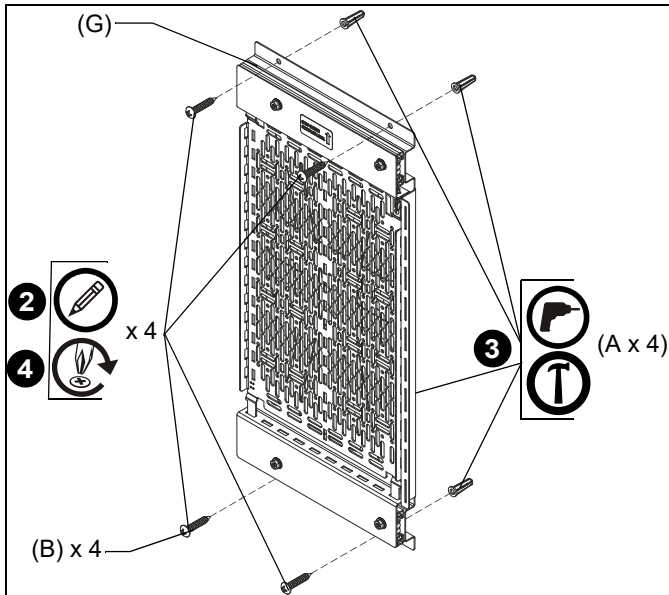


Figure 2

3. Drill four 1/4" pilot holes and insert drywall anchors (A) at markings. (See Figure 2)

Installing Storage Panel to Extrusion

NOTE: The storage panel may be located anywhere along the extrusion. For ease of use, it may be more convenient to place it to the extreme left or right side of the extrusion.

1. Remove screws and end cap from extrusion. (See Figure 3)

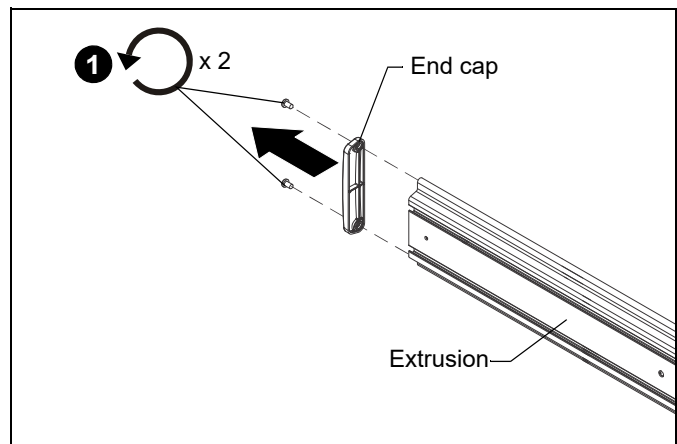


Figure 3

2. Insert four 5/16-18 x 3/8" button head cap screws (D) into the two slot nuts (C) and partially tighten. (See Figure 4)
3. Slide two slot nuts (C) into end of extrusion. (See Figure 4)

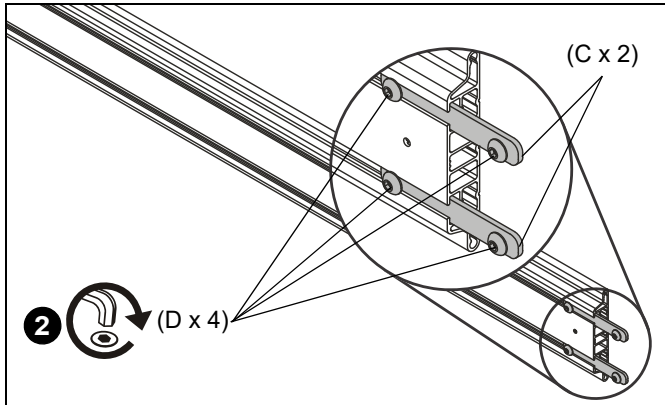


Figure 4



CAUTION: The storage panel must be mounted with the clip at the bottom. (See Figure 1) and (See Figure 5)

4. Hold the storage panel (G) over the four button head screws (D) and lower the storage panel keyholes over the screws. (See Figure 5)

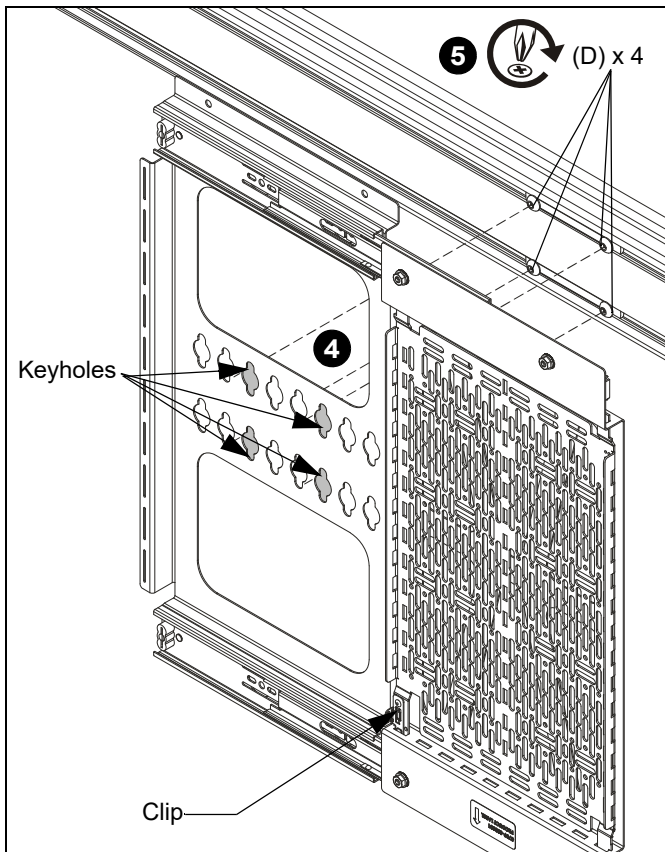


Figure 5

5. Tighten screws securely against the storage panel.

Attaching Components

1. Remove mounting plate from storage panel by pressing inward on the clip located at the bottom of the storage panel. (See Figure 6)
2. Place component(s) on mounting plate and position in the desired location with the hole pattern in mounting plate best aligned to component mounting holes. (See Figure 6)

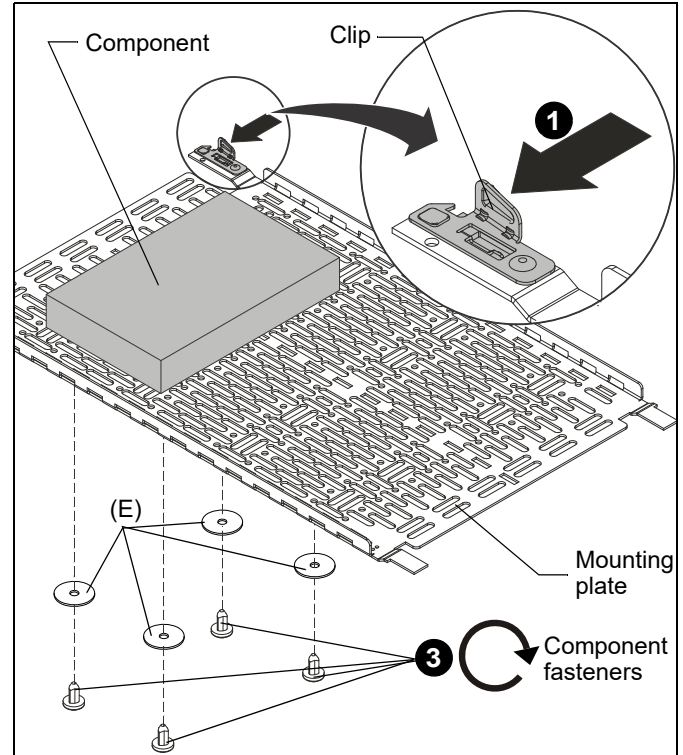


Figure 6

3. Using the fasteners provided with the component and the washers (E), attach the component to the mounting plate. (See Figure 6)
4. Return mounting plate to storage panel by installing the side without the clip into the panel first, followed by the side with the clip until it clicks into place. (See Figure 7)
5. **OPTIONAL:** If desired, install plastic rivet (F) into hole next to clip to secure the mounting plate in place. (See Figure 7)

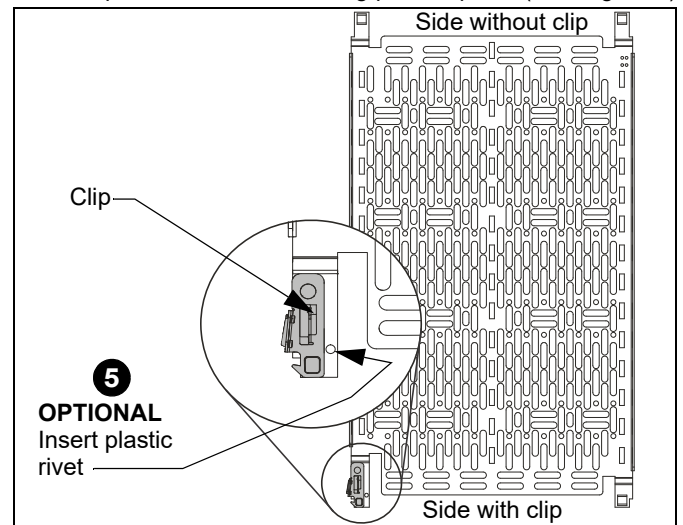


Figure 7



A brand of  **legrand**

8800-003122 Rev02
©2019 Legrand | AV
www.legrandav.com
07/19

USA/International	A 6436 City West Parkway, Eden Prairie, MN 55344
	P 800.582.6480 / 952.225.6000
	F 877.894.6918 / 952.894.6918
Europe	A Franklinstraat 14, 6003 DK Weert, Netherlands
	P +31 (0) 495 580 852
	F +31 (0) 495 580 845
Asia Pacific	A Office No. 918 on 9/F, Shatin Galleria 18-24 Shan Mei Street Fotan, Shatin, Hong Kong
	P 852 2145 4099
	F 852 2145 4477

