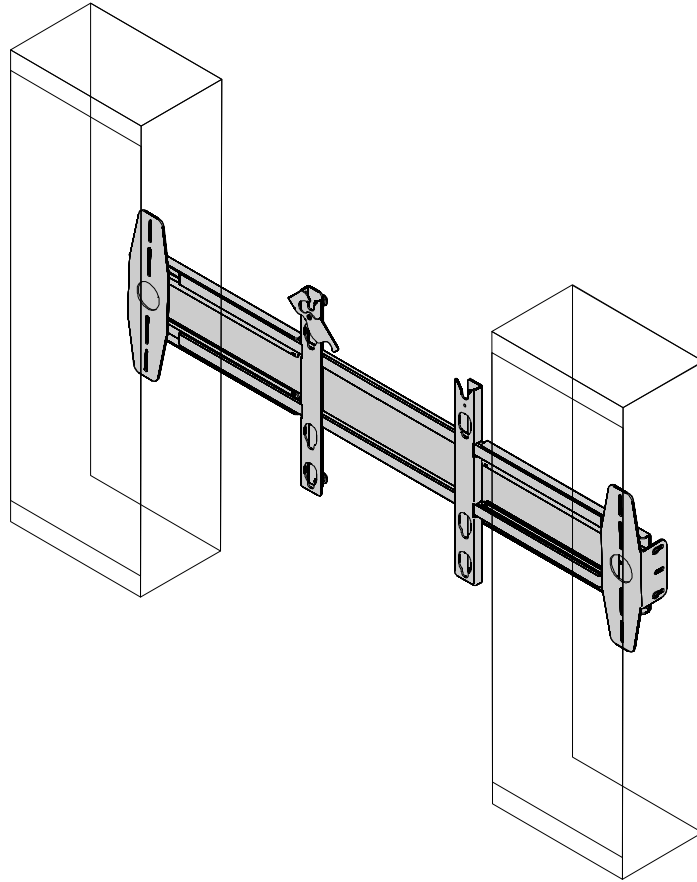


# INSTALLATION INSTRUCTIONS



## Speaker Accessory

## DISCLAIMER

Milestone AV Technologies and its affiliated corporations and subsidiaries (collectively "Milestone"), intend to make this manual accurate and complete. However, Milestone makes no claim that the information contained herein covers all details, conditions or variations, nor does it provide for every possible contingency in connection with the installation or use of this product. The information contained in this document is subject to change without notice or obligation of any kind. Milestone makes no representation of warranty, expressed or implied, regarding the information contained herein. Milestone assumes no responsibility for accuracy, completeness or sufficiency of the information contained in this document.

Chief® is a registered trademark of Milestone AV Technologies. All rights reserved.

## ! IMPORTANT SAFETY INSTRUCTIONS!

**! WARNING:** A WARNING alerts you to the possibility of serious injury or death if you do not follow the instructions.

**! CAUTION:** A CAUTION alerts you to the possibility of damage or destruction of equipment if you do not follow the corresponding instructions.

**! WARNING:** Failure to read, thoroughly understand, and follow all instructions can result in serious personal injury, damage to equipment, or voiding of factory warranty! It is the installer's responsibility to make sure all components are properly assembled and installed using the instructions provided.

**! WARNING:** Failure to provide adequate structural strength for this component can result in serious personal injury or damage to equipment! It is the installer's responsibility to make sure the structure to which this component is attached can support five times the combined weight of all equipment. Reinforce the structure as required before installing the component.

**! WARNING:** Use this mounting system only for its intended use as described in these instructions. Do not use attachments not recommended by the manufacturer.

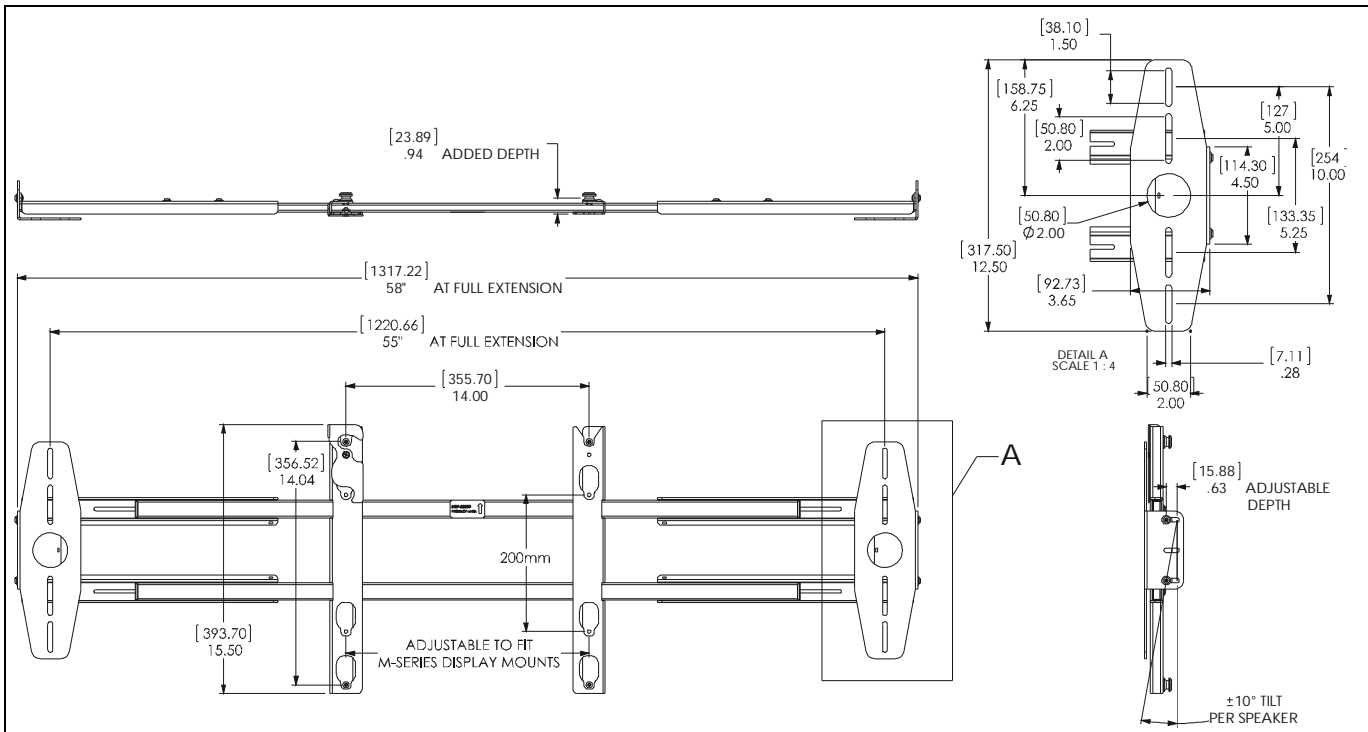
**! WARNING:** Never operate this mounting system if it is damaged. Return the mounting system to a service center for examination and repair.

**! WARNING:** Do not use this product outdoors.

**! WARNING:** Exceeding the weight capacity can result in serious personal injury or damage to equipment! It is the installer's responsibility to make sure that no more than 25lbs (11kg) is placed on each side of the PACLR1. Use with products heavier than the maximum weight indicated may result in collapse of the mount and its accessories causing possible injury.

**--SAVE THESE INSTRUCTIONS!--**

## DIMENSIONS



**LEGEND**

	<b>Tighten Fastener</b>
	Apretar elemento de fijación
	Befestigungsteil festziehen
	Apertar fixador
	Serrare il fissaggio
	Bevestiging vastdraaien
Serrez les fixations	

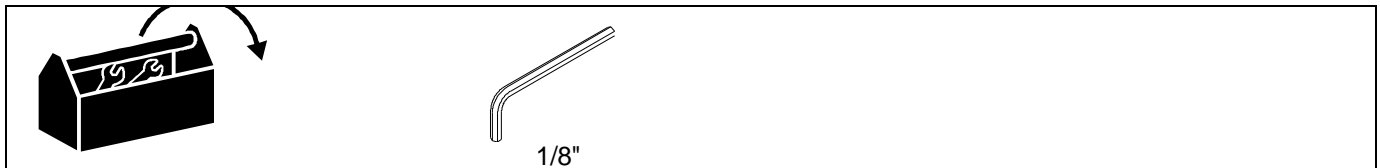
	<b>Adjust</b>
	Ajustar
	Einstellen
	Ajustar
	Regolare
	Afstellen
Ajuster	

	<b>Loosen Fastener</b>
	Aflojar elemento de fijación
	Befestigungsteil lösen
	Desapertar fixador
	Allentare il fissaggio
	Bevestiging losdraaien
Desserrez les fixations	

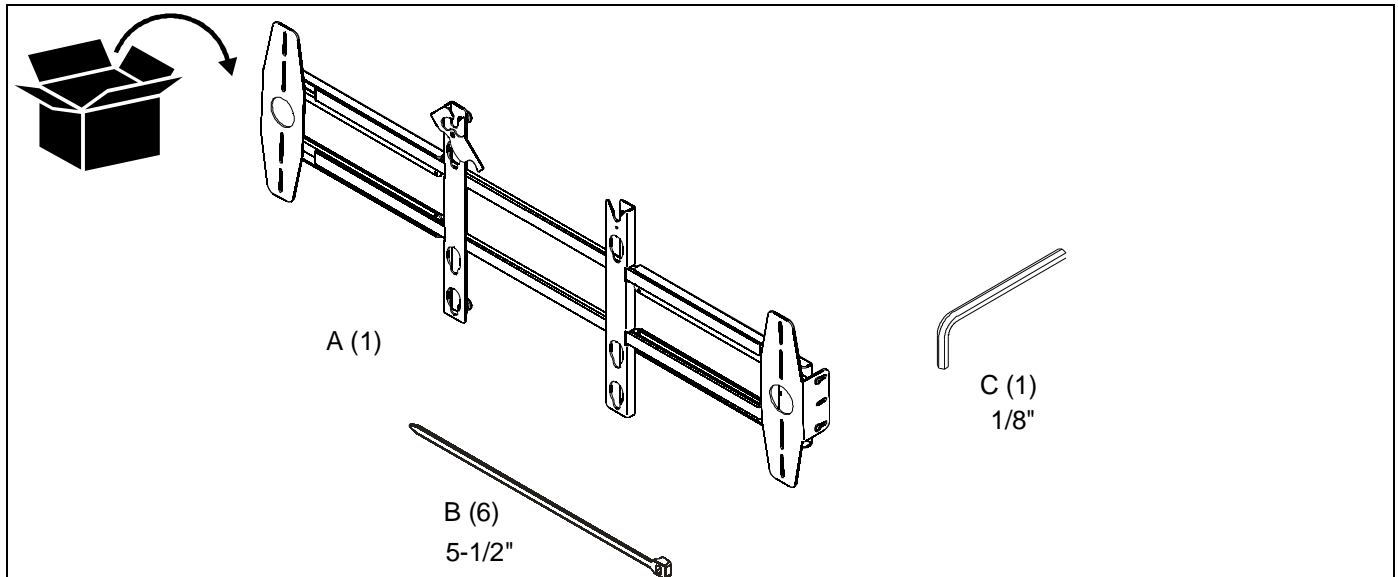
	<b>Hex-Head Wrench</b>
	Llave de cabeza hexagonal
	Sechskantschlüssel
	Chave de cabeça sextavada
	Chiave esagonale
	Zeskantsleutel
Clé à tête hexagonale	

	<b>By Hand</b>
	A mano
	Von Hand
	Com a mão
	A mano
	Met de hand
À la main	

**TOOLS REQUIRED FOR INSTALLATION**



**PARTS**



### Setup and Installation

If the PACCC1 Center Channel Speaker accessory is being installed, install PACCC1 components to PACLR1 following the instructions provided with the PACCC1 before continuing.

#### Configure Accessory for Display

##### Determine VESA Mounting Pattern

The PACLR1 is designed to accommodate both a 200 x 200 VESA and a 14" x 14" display mounting pattern. The accessory is shipped from the factory configured for the 14" x 14" pattern and will need to be reconfigured if the 200 x 200 pattern is required. (See Figure 2)

**NOTE:** The 14" x 14" display mounting pattern is NOT identical to a 400 x 400 VESA display mounting pattern.

**⚠ WARNING:** IMPROPER INSTALLATION CAN LEAD TO ACCESSORY AND/OR DISPLAY FALLING CAUSING SEVERE PERSONAL INJURY OR DAMAGE TO EQUIPMENT! If the display being installed does not have a VESA 200 x 200 or 14" x 14" mounting pattern an interface bracket will be required to install this accessory. Consult a Chief Customer Service representative by calling 800.582.6480 or by visiting [www.chiefmfg.com](http://www.chiefmfg.com).

To reconfigure to the 200 x 200 VESA pattern;

1. Remove eight button head cap screws securing uprights to speaker rails. (See Figure 1)
2. Reposition uprights so that eight mounting holes are aligned with eight inner (200 x 200) mounting holes in speaker rails. (See Figure 1)

3. Secure uprights to speaker rails using eight button head cap screws. (See Figure 1)

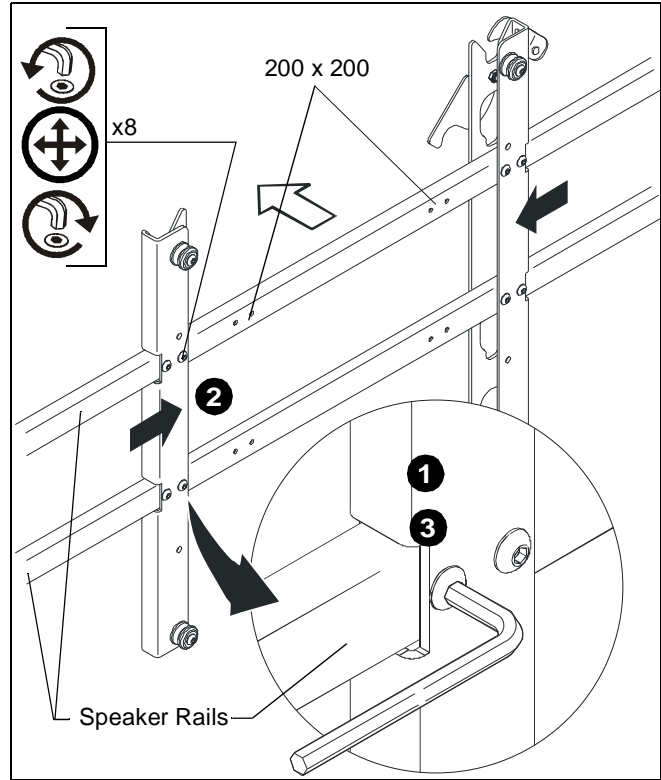


Figure 1

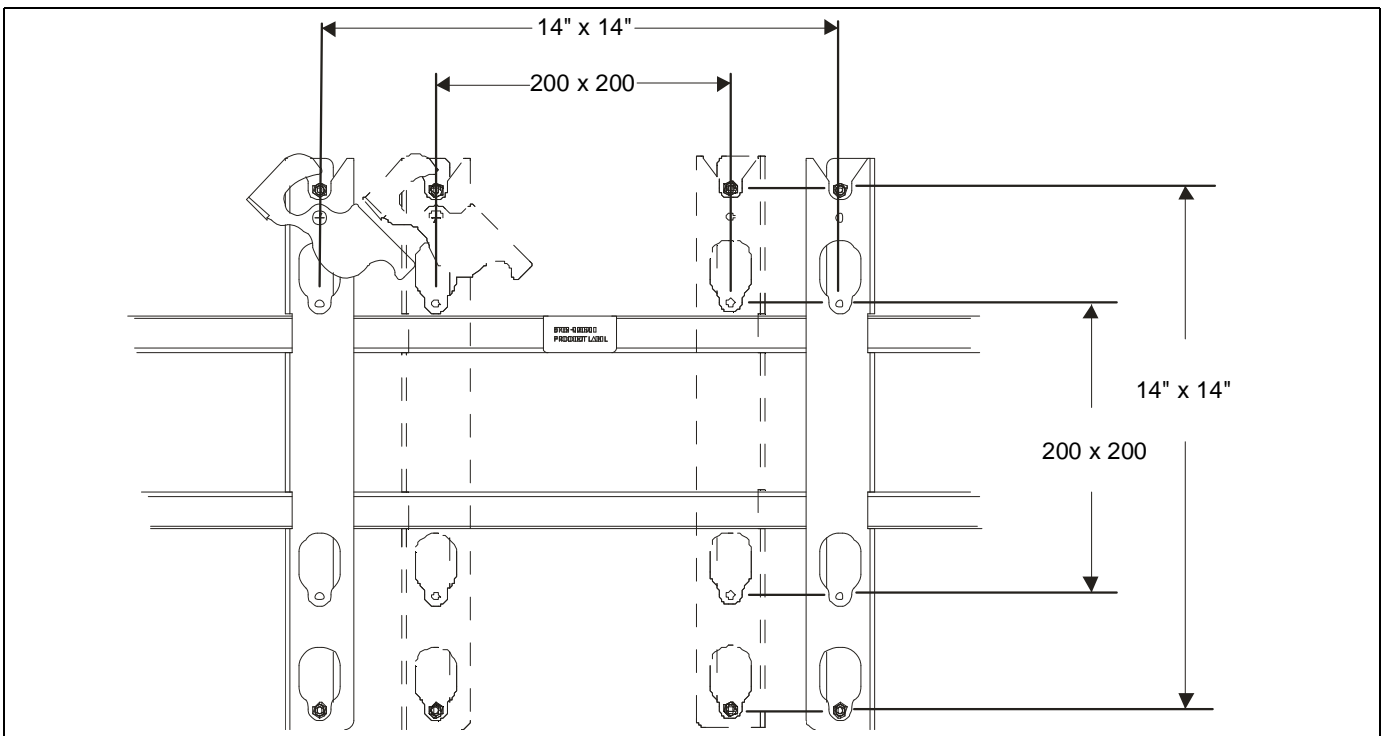


Figure 2

### Adjust Speaker Rails for Display Width

1. Turn display over and place on a clean dry surface.
2. Measure the distance from the vertical center line of mounting holes in display to the outermost edge of the display.

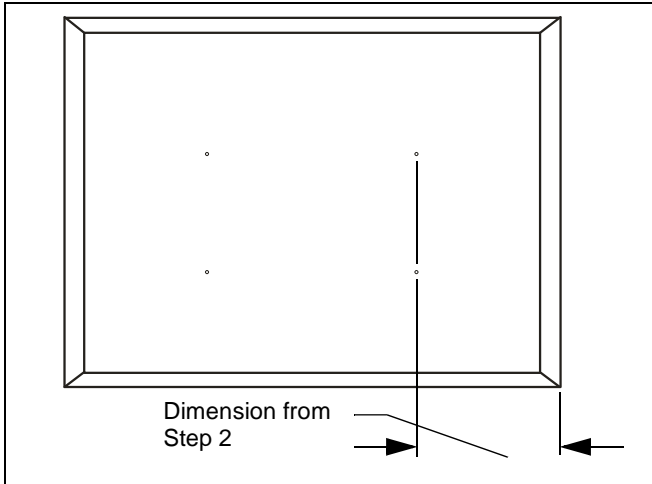


Figure 3

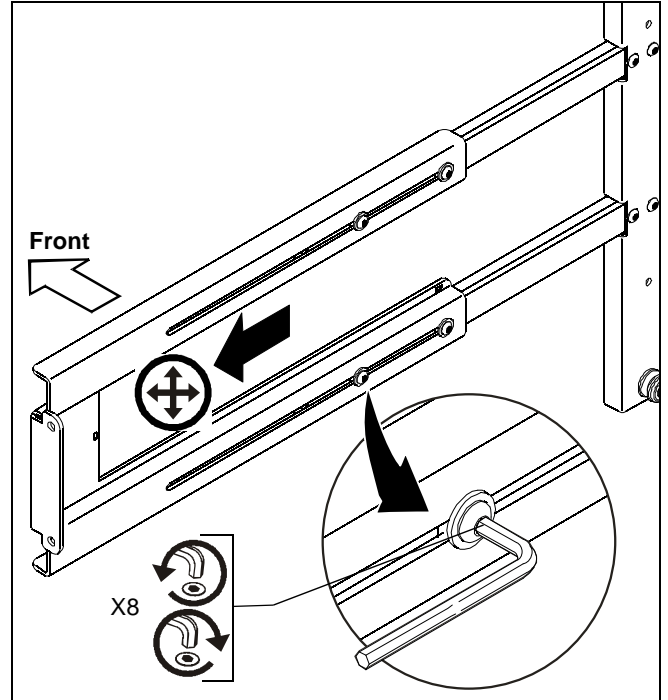


Figure 4

3. Loosen eight button head cap screws and slide speaker rails outward until required distance between speakers is obtained. (See Figure 4) and (See Figure 5)
4. Tighten eight button head cap screws.

**NOTE:** An additional 1 3/4" (each end) of speaker rail extension can be obtained by inverting the speaker mounting bracket as shown in DETAIL "A" in figure below. (See Figure 5)

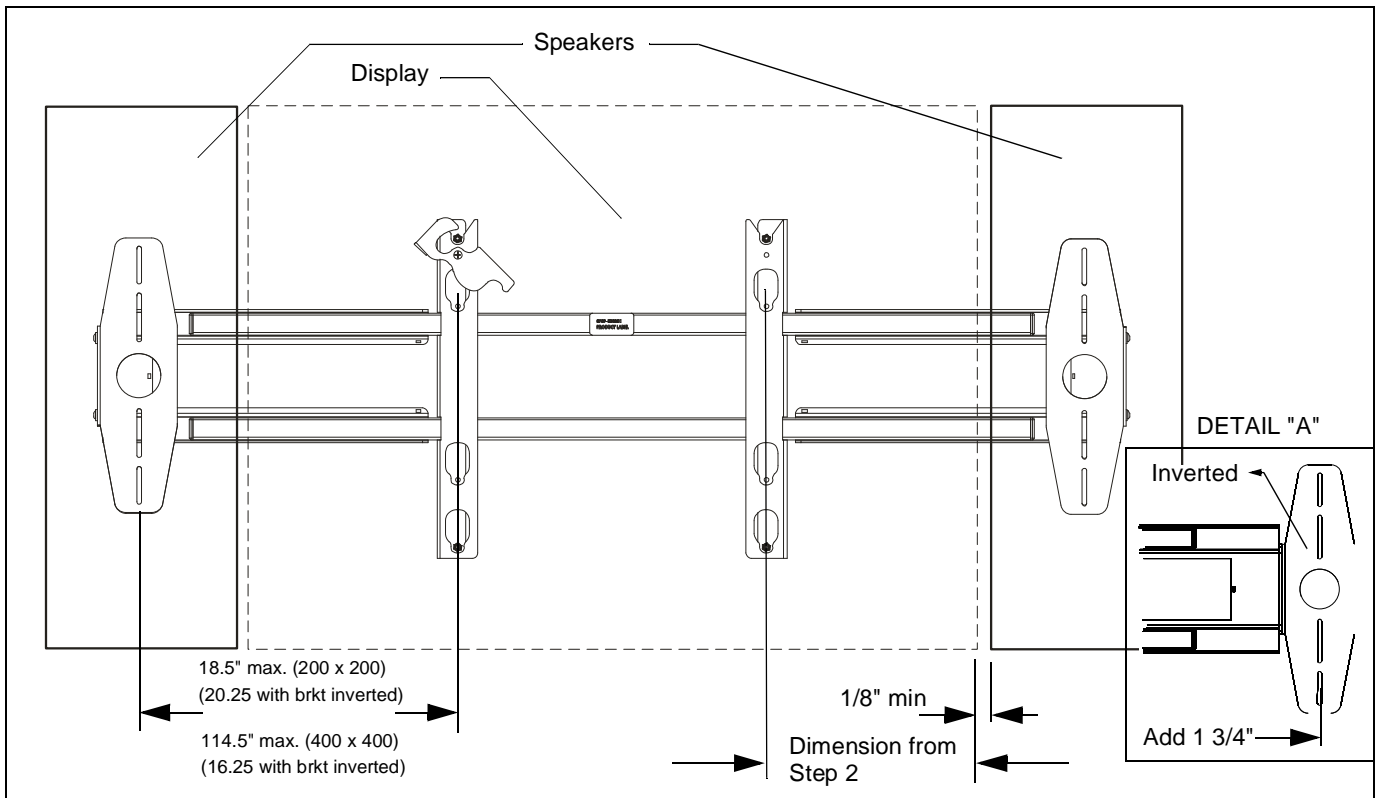


Figure 5

1. Remove speaker mounting brackets from speaker mounting rails by removing four button head cap screws and four washers. (See Figure 6)
2. Set hardware aside for reuse.

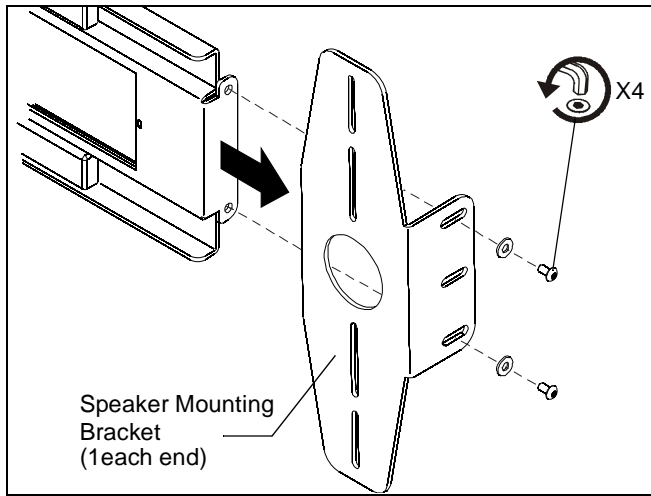


Figure 6

**IMPORTANT !** : If orientation of speaker mounting bracket has changed as a result of speaker rail adjustment verify proper orientation of bracket with speaker before continuing.

3. Install left and right speaker mounting brackets to speakers using the installation instructions provided with the speakers and the dimensional drawing below. (See Figure 7) and (See Figure 8)

**⚠ WARNING:** IMPROPER INSTALLATION CAN LEAD TO SPEAKERS FALLING RESULTING IN SEVERE PERSONAL INJURY OR DAMAGE TO EQUIPMENT. Always consult with the speaker manufacturer before drilling into speakers or installing in a manner inconsistent with the instructions provided with the speakers.

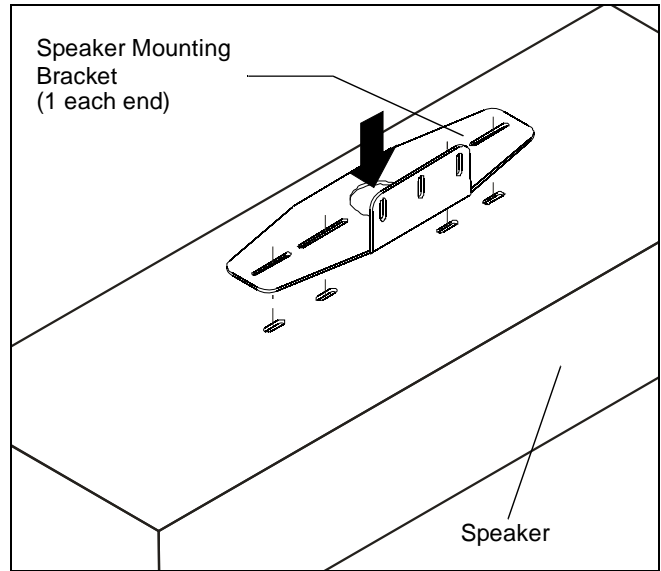


Figure 7

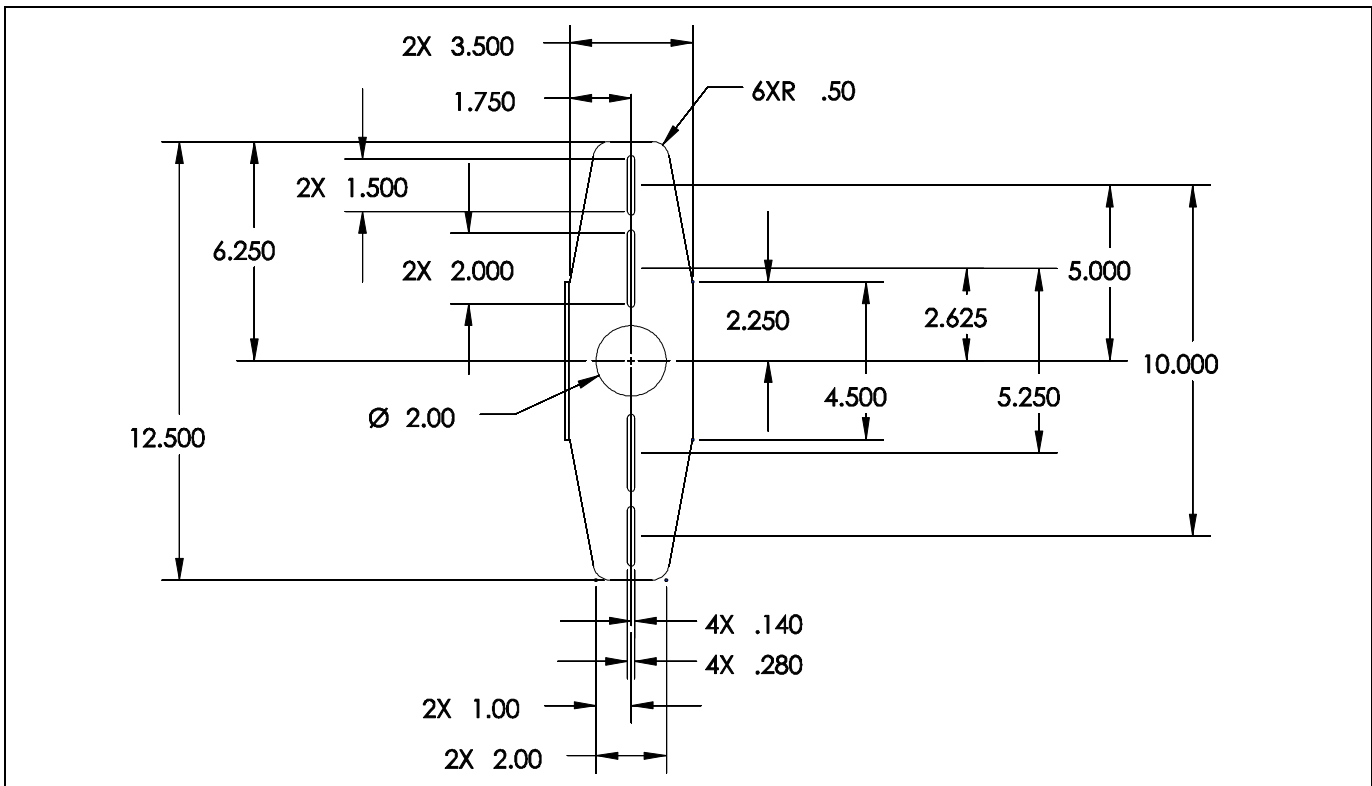
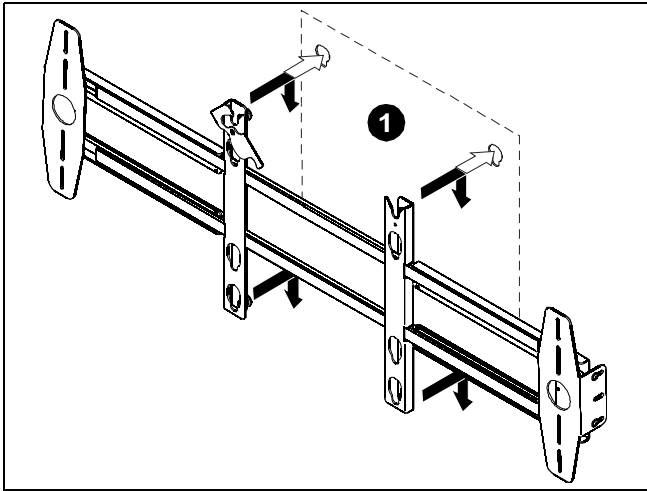


Figure 8

**Install Accessory to Mount and Display to Accessory**

1. Install accessory to mount following the installation instructions provided with the mount. (See Figure 9)



**Figure 9**

2. Verify latching flag is in the OPEN position. (See Figure 10)
3. Align four mounting buttons on display with four teardrop mounting holes in accessory.
4. Slide mounting buttons into teardrop mounting holes and lower display until recessed area of mounting buttons is seated in lower area of teardrop mounting holes.

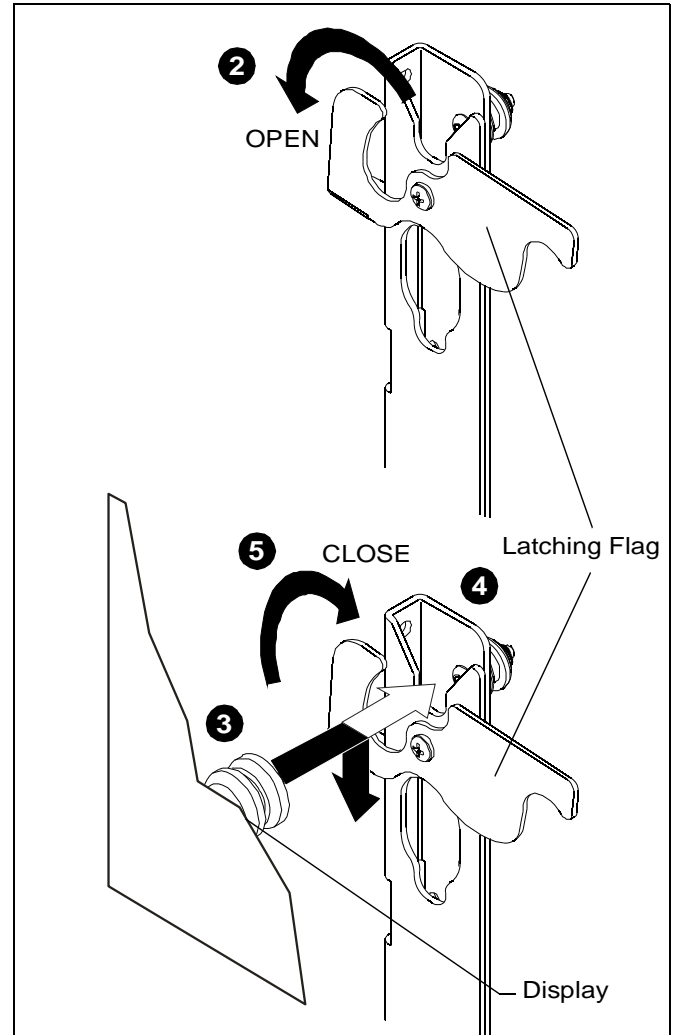


**WARNING:** IMPROPER INSTALLATION CAN LEAD TO DISPLAY FALLING CAUSING SEVERE PERSONAL INJURY OR DAMAGE TO EQUIPMENT. Make sure ALL mounting buttons are properly seated in lower area of four teardrop mounting holes.

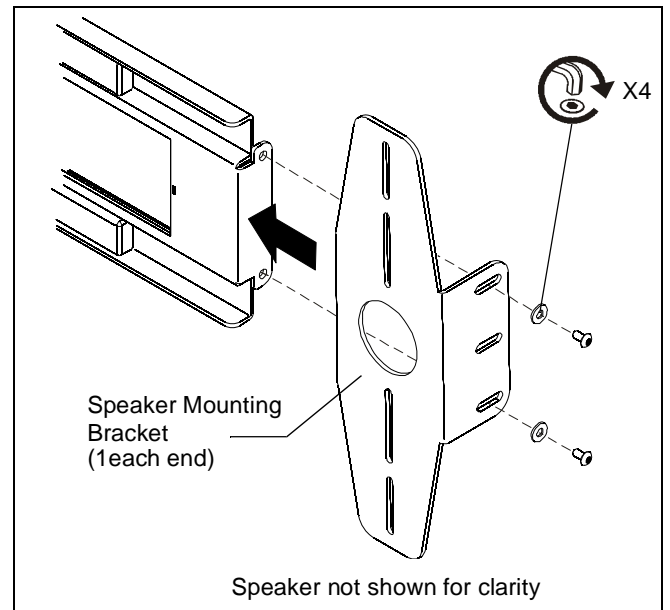
5. Move latching flag to CLOSED position to secure display on accessory. (See Figure 10)

**NOTE:** A padlock or similar device can be used to provide additional security.

6. Install speaker mounting brackets with speakers to speaker mounting rails by using four button head cap screws and four washers set aside earlier. (See Figure 11)

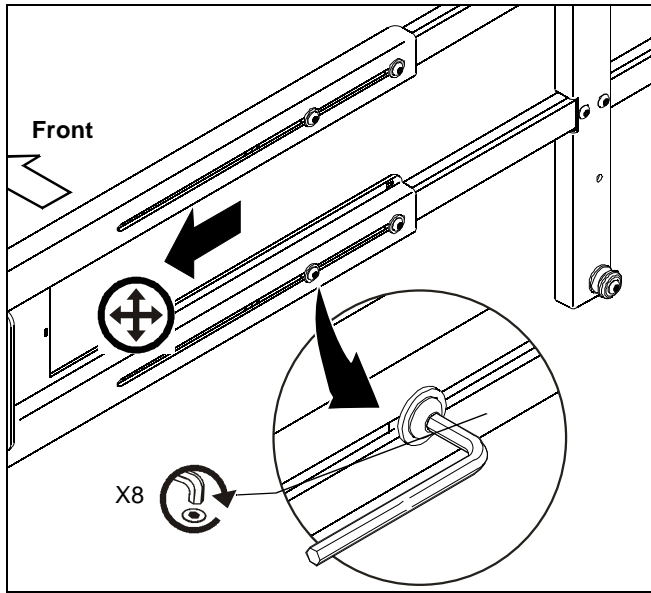


**Figure 10**



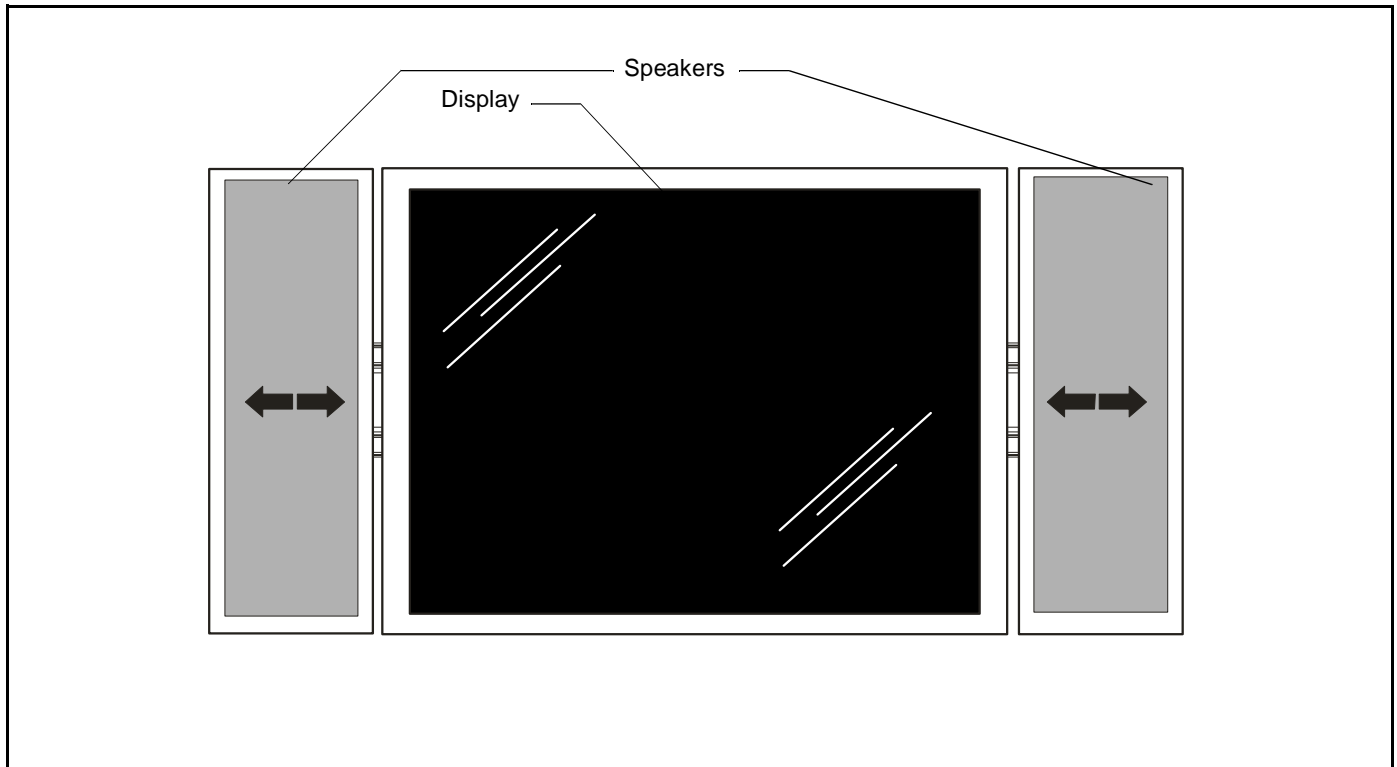
**Figure 11**

7. Adjust speaker horizontal location. (See Figure 13)
8. Tighten eight button head cap screws to hold speaker mounting rail in place. (See Figure 12)



**Figure 12**

9. Route all signal and power cables and wires to display and speakers.



**Figure 13**











Chief, a products division of  
Milestone AV Technologies

8800-000068 Rev D  
©2014 Milestone AV Technologies  
[www.chiefmfg.com](http://www.chiefmfg.com)  
06/14

<b>USA/International</b>	<p><b>A</b> 6436 City West Parkway, Eden Prairie, MN 55344  <b>P</b> 800.582.6480 / 952.225.6000  <b>F</b> 877.894.6918 / 952.894.6918</p>
<b>Europe</b>	<p><b>A</b> Franklinstraat 14, 6003 DK Weert, Netherlands  <b>P</b> +31 (0) 495 580 852  <b>F</b> +31 (0) 495 580 845</p>
<b>Asia Pacific</b>	<p><b>A</b> Office No. 918 on 9/F, Shatin Galleria          18-24 Shan Mei Street          Fotan, Shatin, Hong Kong  <b>P</b> 852 2145 4099  <b>F</b> 852 2145 4477</p>

