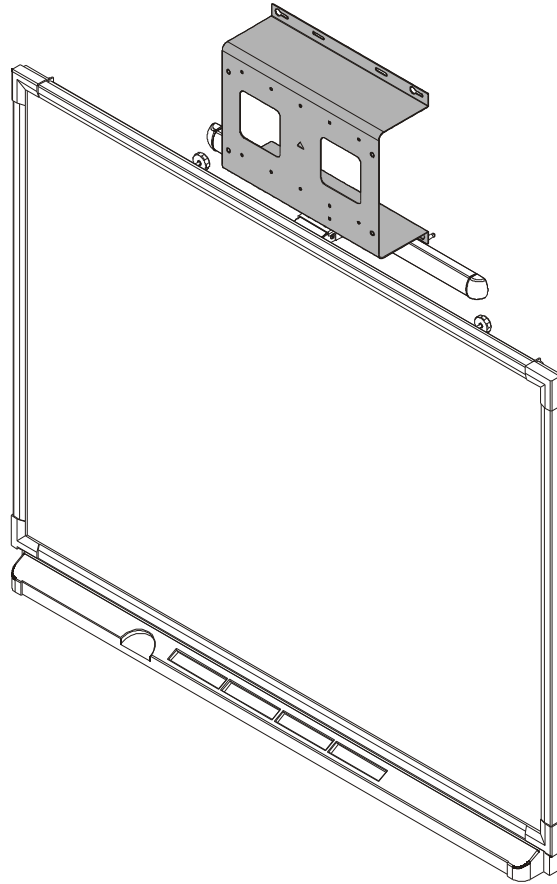

INSTALLATION INSTRUCTIONS



Whiteboard Mounting Platform

DISCLAIMER

Milestone AV Technologies and its affiliated corporations and subsidiaries (collectively "Milestone"), intend to make this manual accurate and complete. However, Milestone makes no claim that the information contained herein covers all details, conditions or variations, nor does it provide for every possible contingency in connection with the installation or use of this product. The information contained in this document is subject to change without notice or obligation of any kind. Milestone makes no representation of warranty, expressed or implied, regarding the information contained herein. Milestone assumes no responsibility for accuracy, completeness or sufficiency of the information contained in this document.

Chief® is a registered trademark of Milestone AV Technologies. All rights reserved.

IMPORTANT SAFETY INSTRUCTIONS

WARNING: A WARNING alerts you to the possibility of serious injury or death if you do not follow the instructions.

CAUTION: A CAUTION alerts you to the possibility of damage or destruction of equipment if you do not follow the corresponding instructions.

WARNING: Failure to read, thoroughly understand, and follow all instructions can result in serious personal injury, damage to equipment, or voiding of factory warranty! It is the installer's responsibility to make sure all components are properly assembled and installed using the instructions provided.

WARNING: Failure to provide adequate structural strength for this component can result in serious personal injury or damage to equipment! It is the installer's responsibility to make sure the structure to which this component is attached can support five times the combined weight of all equipment. Reinforce the structure as required before installing the component.

WARNING: Use this mounting system only for its intended use as described in these instructions. Do not use attachments not recommended by the manufacturer.

WARNING: Never operate this mounting system if it is damaged. Return the mounting system to a service center for examination and repair.

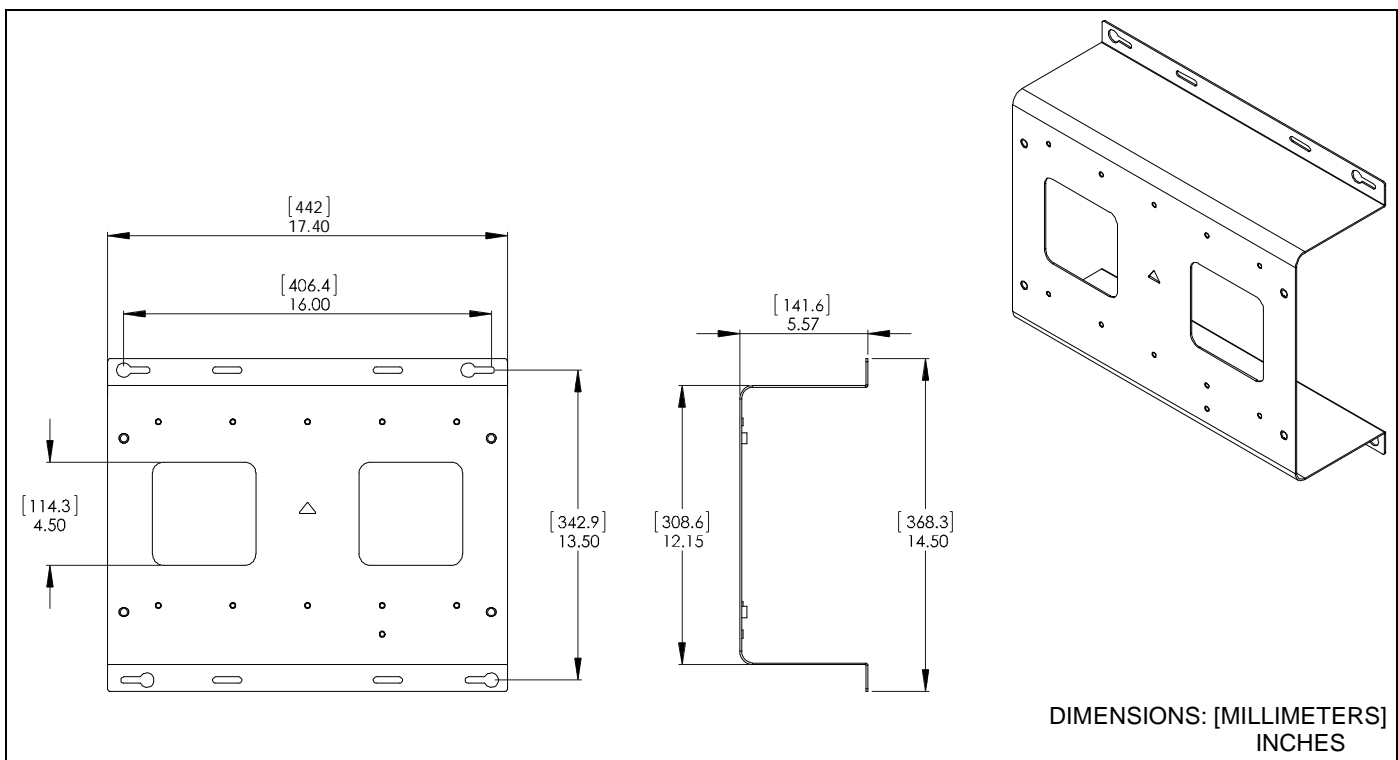
WARNING: Do not use this product outdoors.

IMPORTANT ! : The WBAP mount is designed to be mounted to an 8" concrete, 8"x8"x16" concrete block, 2" x 4" wood studs (16" on center), or 2" x 4"-25ga minimum steel studs wall.



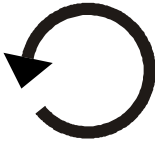



The WBAP should be used exclusively with the Chief WBMUS whiteboard mount and the SMART UX60, UF65 and UF75 short throw projector models.

--SAVE THESE INSTRUCTIONS--

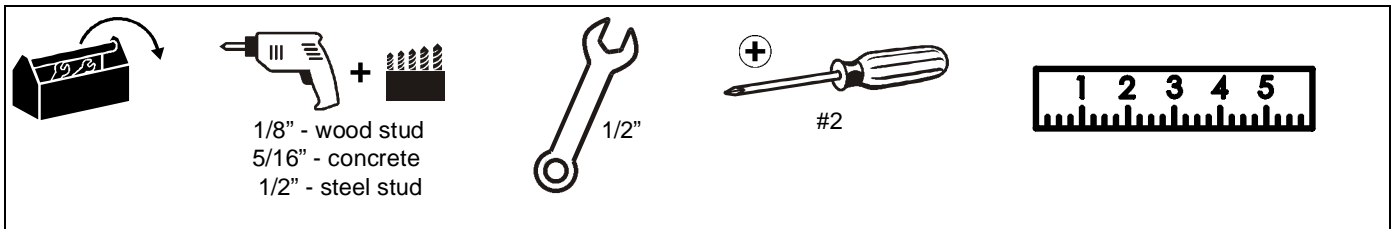
DIMENSIONS



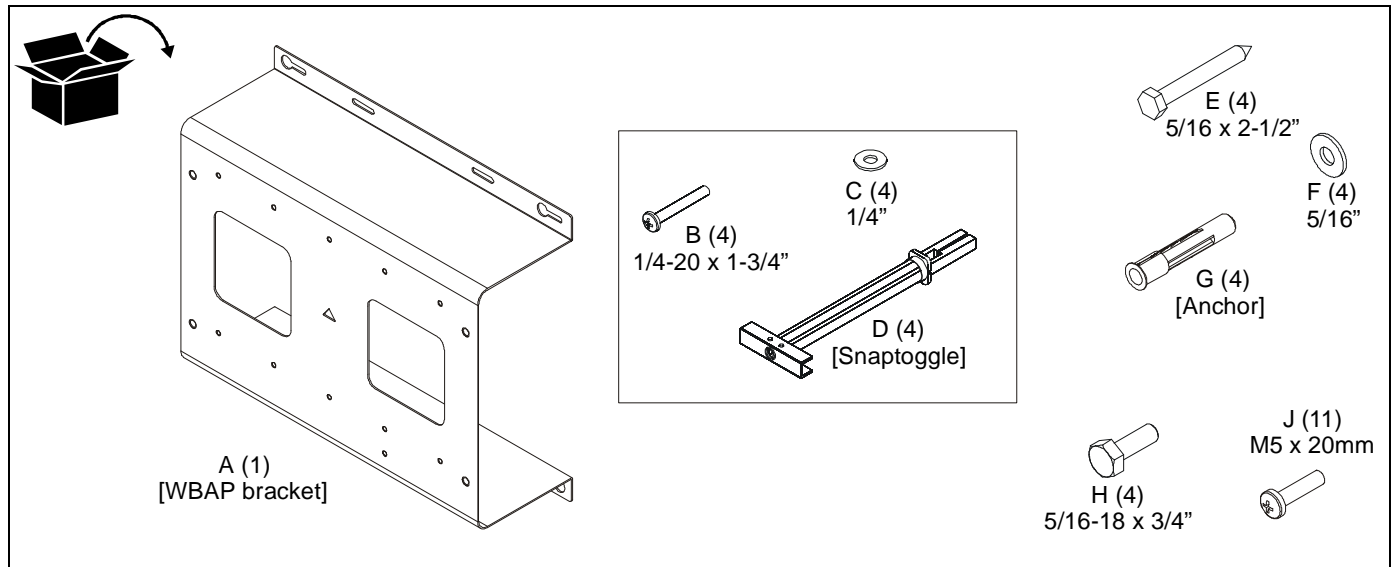
LEGEND

	Tighten Fastener		Pencil Mark
	Apretar elemento de fijación		Marcar con lápiz
	Befestigungsteil festziehen		Stiftmarkierung
	Apertar fixador		Marcar com lápis
	Serrare il fissaggio		Segno a matita
	Bevestiging vastdraaien		Potloodmerkten
Serrez les fixations	Marquage au crayon		
	Loosen Fastener		Drill Hole
	Aflojar elemento de fijación		Perforar
	Befestigungsteil lösen		Bohrloch
	Desapertar fixador		Fazer furo
	Allentare il fissaggio		Praticare un foro
	Bevestiging losdraaien		Gat boren
Desserrez les fixations	Percez un trou		
	Phillips Screwdriver		Open-Ended Wrench
	Destornillador Phillips		Llave de boca
	Kreuzschlitzschraubendreher		Gabelschlüssel
	Chave de fendas Phillips		Chave de bocas
	Cacciavite a stella		Chiave a punte aperte
	Kruiskopschroevendraaier		Steeksleutel
Tournevis à pointe cruciforme	Clé à fourche		

TOOLS REQUIRED FOR INSTALLATION



PARTS



ASSEMBLY AND INSTALLATION

The WBAP whiteboard mounting platform has been designed to be mounted directly onto either a wood stud wall; a solid concrete or concrete block wall; or a steel stud wall. The WBAP is designed to be used exclusively with the Chief WBMUS whiteboard mount and the SMART UX60, UF65 and UF75 short throw projector models.

Locate Mounting Site



WARNING: IMPROPER INSTALLATION CAN LEAD TO MOUNT FALLING CAUSING SEVERE PERSONAL INJURY OR DAMAGE TO EQUIPMENT! It is the installers responsibility to make certain the structure to which the mount is being attached is capable of supporting five times the weight of the WBAP and attached equipment.



WARNING: ELECTRICAL SHOCK HAZARD! CUTTING OR DRILLING INTO ELECTRICAL CORDS OR CABLES CAN CAUSE DEATH OR SERIOUS PERSONAL INJURY! ALWAYS make certain area behind mounting surface is free of electrical wires and cables before drilling or installing fasteners.



WARNING: EXPLOSION AND FIRE HAZARD! CUTTING OR DRILLING INTO GAS PLUMBING CAN CAUSE DEATH OR SERIOUS PERSONAL INJURY! ALWAYS make certain area behind mounting surface is free of gas, water, waste, or any other plumbing before cutting, drilling, or installing fasteners.

NOTE: Proceed to the **Installing to a Wood Stud Wall** section, the **Installing to a Solid Concrete or Concrete Block Wall** section, or the **Installing to a Steel Stud Wall** section, as appropriate.

Installing to a Wood Stud Wall

1. Determine the center of the whiteboard.
2. Locate the closest stud to the left and right of the selected location.
3. Using a level, mark the wall on each stud above existing whiteboard through four mounting slots in the WBAP bracket (A) mounting slots. (See Figure 1)

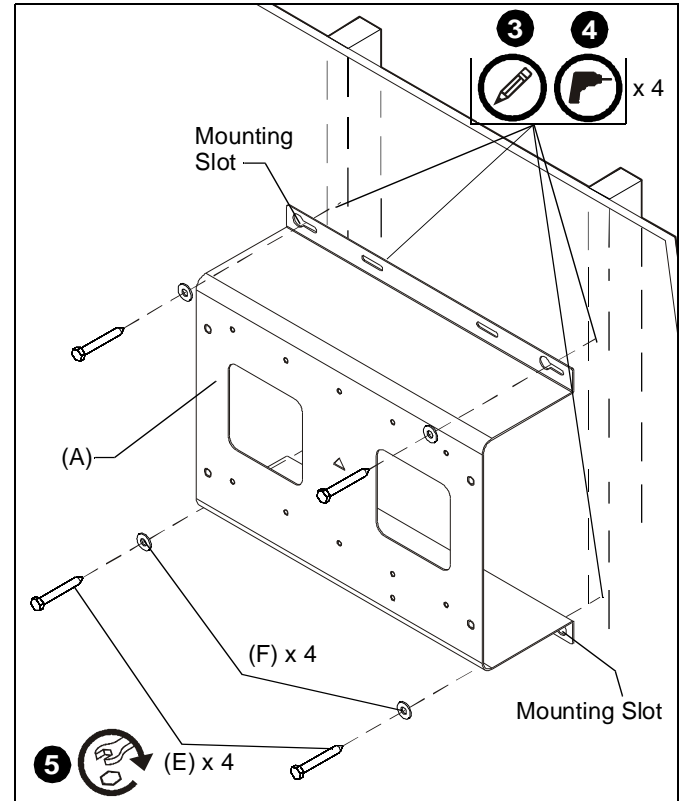


Figure 1

4. Drill one 7/32" x 2-1/2" pilot hole at each of four markings made in Step 3. (See Figure 1)
5. Use four 5/16" x 2-1/2" lag bolts (E) and four 5/16" flat washers (F) to attach WBAP bracket (A) to wall. (See Figure 1)
6. Attach projector to WBAP following instructions included with projector.

Installing to a Solid Concrete or Concrete Block Wall

1. Determine the center of the whiteboard.
2. Using a level, mark the wall above existing whiteboard through four mounting slots in the WBAP bracket (A). (See Figure 2)

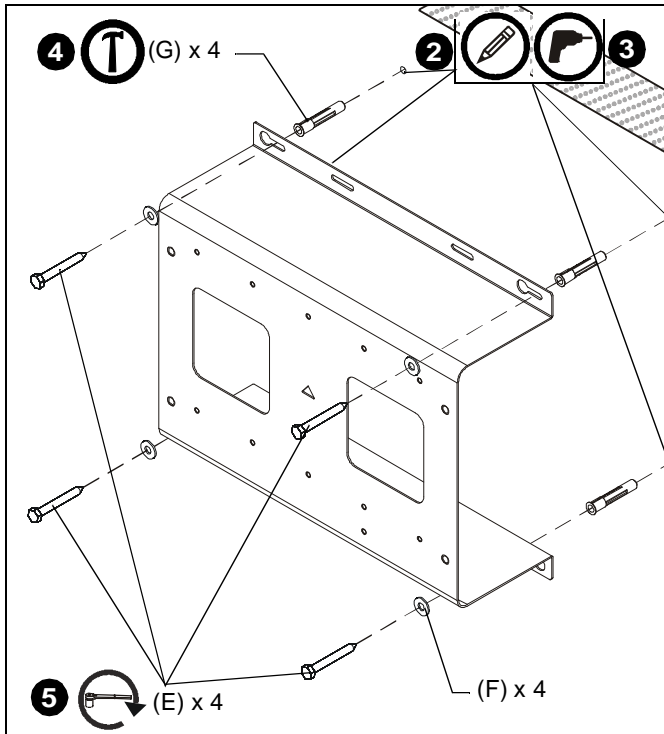


Figure 2

3. Drill one 3/8" x 3-1/2" pilot hole at each marking. (See Figure 2)
4. Install an anchor (G) into each pilot hole using a hammer.
5. Use four 5/16 x 2-1/2" lag bolts (E) and four 5/16" flat washers (F) to attach WBAP bracket (A) to anchors in wall. (See Figure 2)
6. Attach projector to WBAP following instructions included with projector.

Installing to a Steel Stud Wall

Site Requirements (See Figure 8)



WARNING: IMPROPER INSTALLATION CAN LEAD TO EQUIPMENT FALLING CAUSING SERIOUS PERSONAL INJURY OR DAMAGE TO EQUIPMENT! The figure (See Figure 8) identifies the minimum requirements for installation of a mount onto a steel stud structure. If the structure or its components do not meet these requirements contact the mount manufacturer for specific instructions before attempting installation. It should also be noted that no other equipment should be mounted to the same stud.

1. Determine the center of the whiteboard.
2. Locate the closest stud to the left and right of the selected location.
3. Using a level, mark the wall on each stud above existing whiteboard through four mounting slots in the WBAP bracket (A) mounting slots. (See Figure 3)

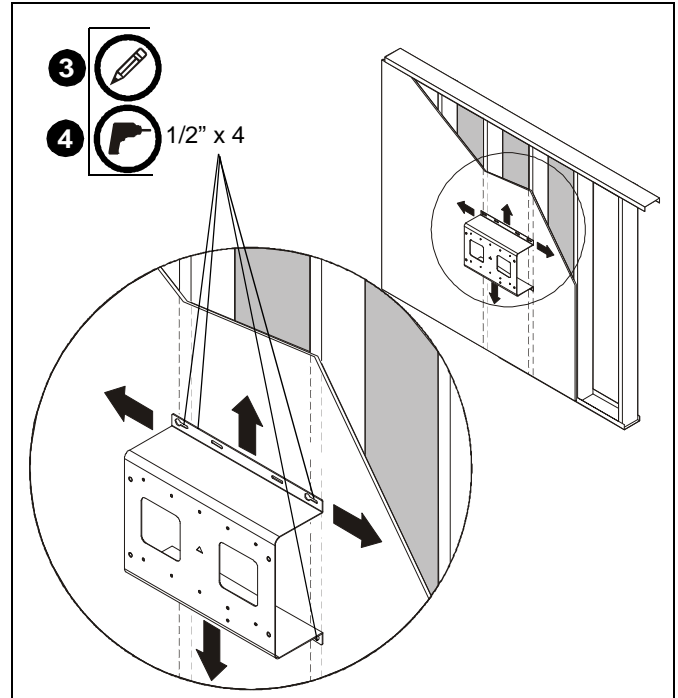


Figure 3

4. Drill four 1/2" holes at markings. (See Figure 3)
5. Hold metal channel on anchor (D) flat alongside plastic straps and slide channel through hole. (See Figure 4)

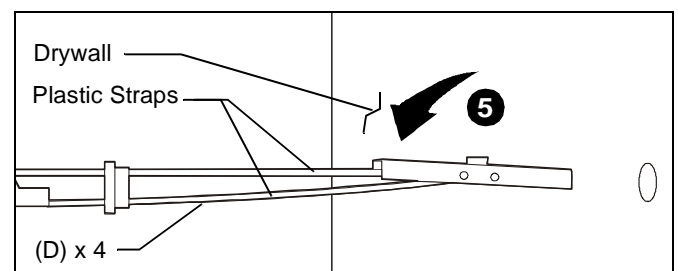


Figure 4

6. Holding plastic straps on anchor (D), pull anchor away from wall until channel rests flush behind wall making sure anchor channel is positioned vertically on stud. (See Figure 5)
7. Slide plastic cap on anchor (D) towards wall until flange of cap is flush with wall. (See Figure 5)

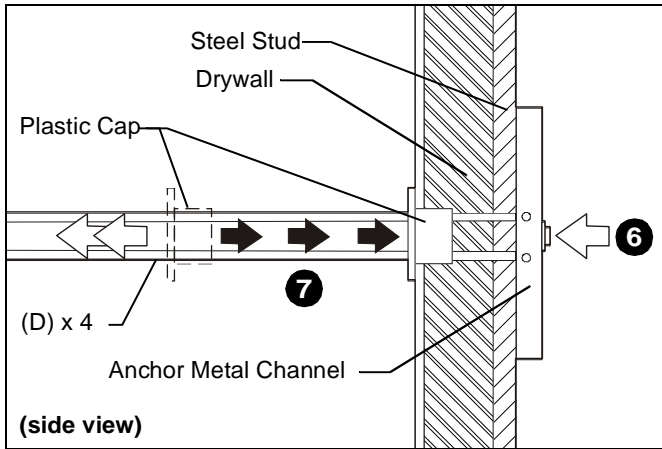


Figure 5

8. Snap off plastic straps on anchor at wall by pushing side to side, snapping off straps level with flange of plastic cap. (See Figure 6)

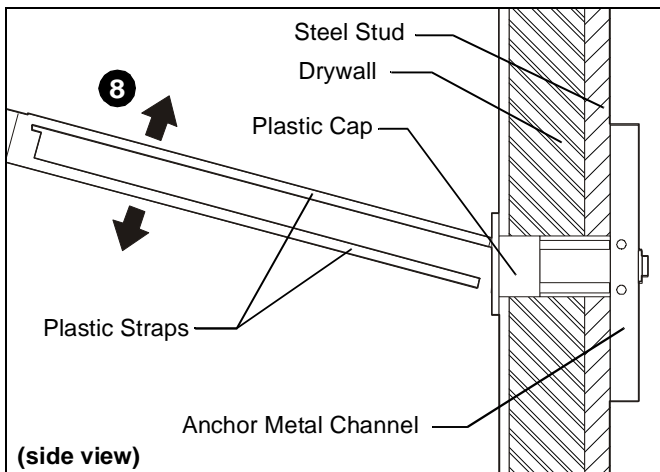


Figure 6

9. Repeat Steps 5 through 8 for each mounting hole.
10. Place WBAP bracket (A) over anchors and align mounting slots in bracket with holes in anchors. (See Figure 7)
11. Place 1/4" flat washer (C) onto 1/4-20 x 1-3/4" Phillips pan head screws (B).
12. Insert Phillips pan head screws (B) with flat washer (C) through mounting slot in wall plate and into anchor (D) and tighten until flush against wall plate. DO NOT over-tighten! (See Figure 7)
13. Repeat Steps 10 through 12 for remaining 3 mounting holes.



WARNING: IMPROPER INSTALLATION CAN LEAD TO EQUIPMENT FALLING CAUSING SERIOUS PERSONAL INJURY OR DAMAGE TO EQUIPMENT! Over-tightening of mounting hardware can damage the steel studs. DO NOT over-tighten mounting hardware!

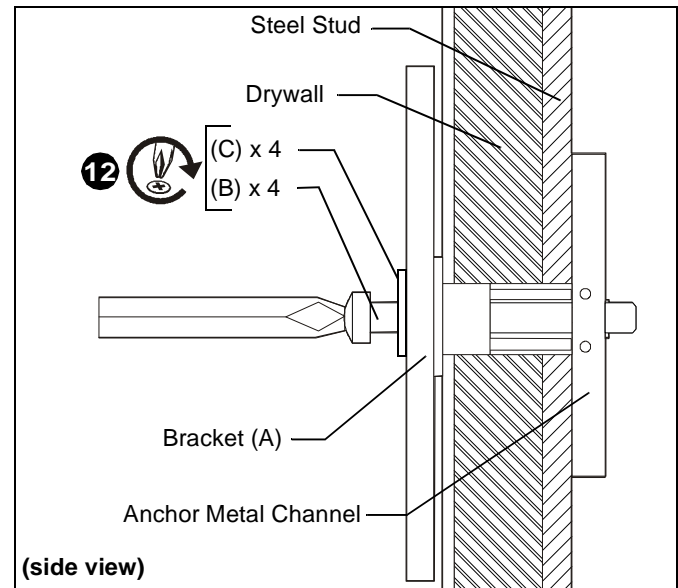


Figure 7

14. Attach projector to WBAP following instructions included with projector.

Site Requirements - Install to Steel Stud Wall

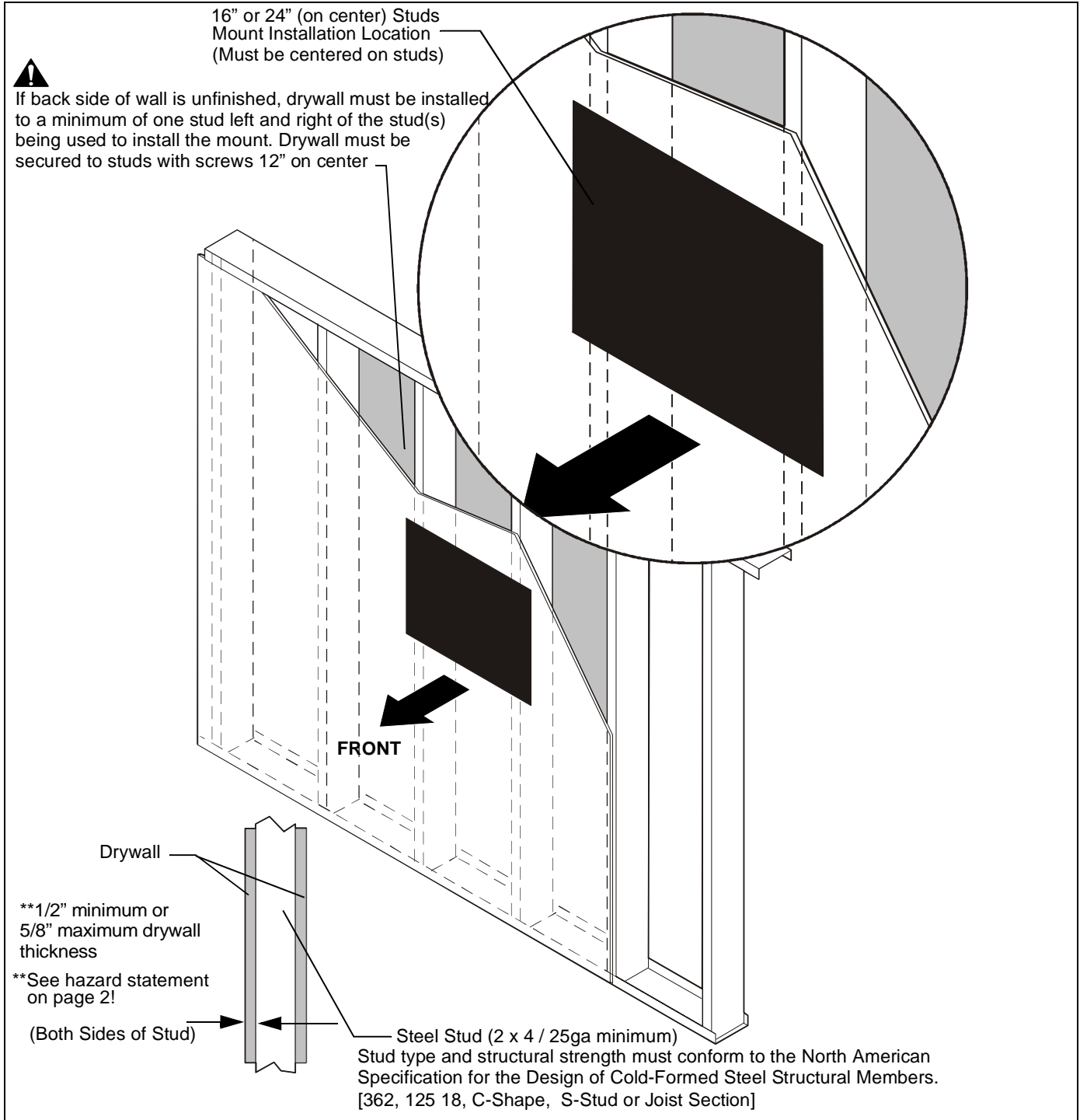


Figure 8



Our Mounts. **Your Vision.**

Chief Manufacturing, a products division
of Milestone AV Technologies

8800-002305 Rev01
©2013 Milestone AV Technologies, a
Duchossois Group Company
www.chiefmfg.com
06/13

USA/International	A 6436 City West Parkway, Eden Prairie, MN 55344 P 800.582.6480 / 952.225.6000 F 877.894.6918 / 952.894.6918
Europe	A Franklinstraat 14, 6003 DK Weert, Netherlands P +31 (0) 495 580 852 F +31 (0) 495 580 845
Asia Pacific	A Office No. 1 on 12/F, Shatin Galleria 18-24 Shan Mei Street Fotan, Shatin, Hong Kong P 852 2145 4099 F 852 2145 4477

