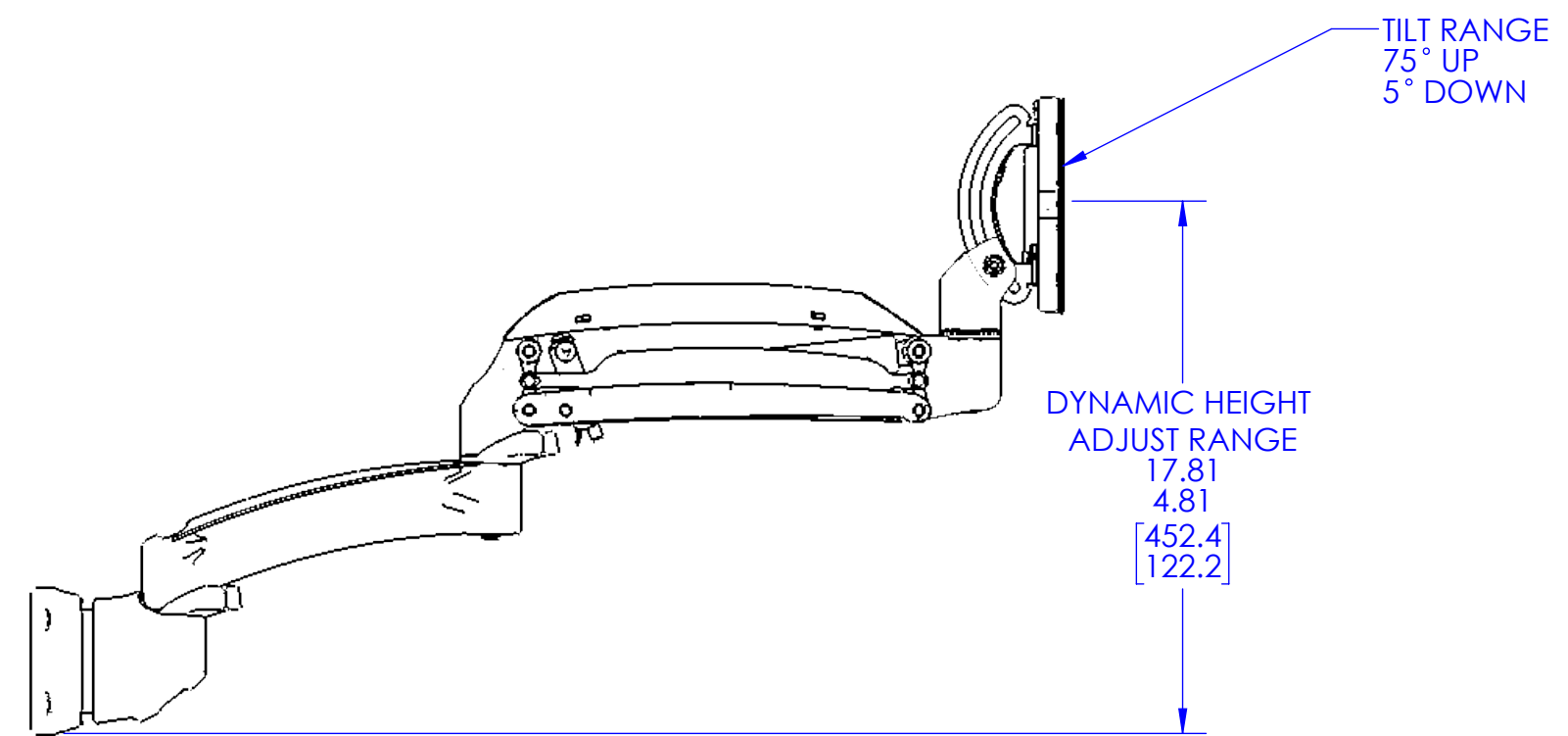
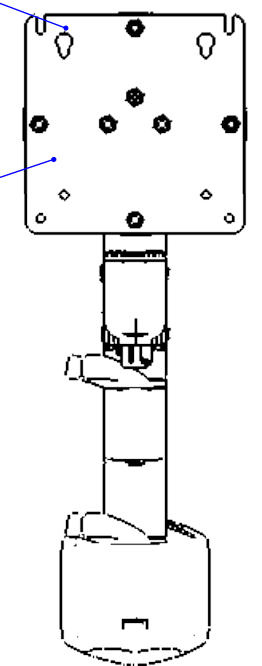


MOUNTING PATTERN COMPATIBILITY  
 100 X 100  
 75 X 75

INTERFACE ROTATION RANGE  
 $\pm 90^\circ$



THE INFORMATION AND DESIGNS CONTAINED IN THIS DRAWING ARE CONFIDENTIAL AND THE PROPRIETARY PROPERTY OF MILESTONE AV TECHNOLOGIES NEITHER THIS DESIGN NOR ANY INFORMATION CONTAINED IN THIS DRAWING MAY BE REPRODUCED OR DISCLOSED TO OTHERS WITHOUT THE EXPRESS WRITTEN CONSENT OF MILESTONE AV TECHNOLOGIES.

CAD GENERATED DRAWING, DO NOT MANUALLY UPDATE.			6436 CITY WEST PKWY EDEN PRAIRIE MN, 55344 PHONE: 866-977-3901 FAX: 877-894-6918		
DRAWN BY	MJS	4/24/2017	DESCRIPTION <b>K1P120 REDUCED HEIGHT TECH DRAWING</b>		
ENG APPROVAL	MJS	4/24/2017			
MFG APPROVAL					
QA APPROVAL					
SHEET 1 OF 1		SCALE 1:4	SIZE B	DWG. NO. TECH-000855	REV.