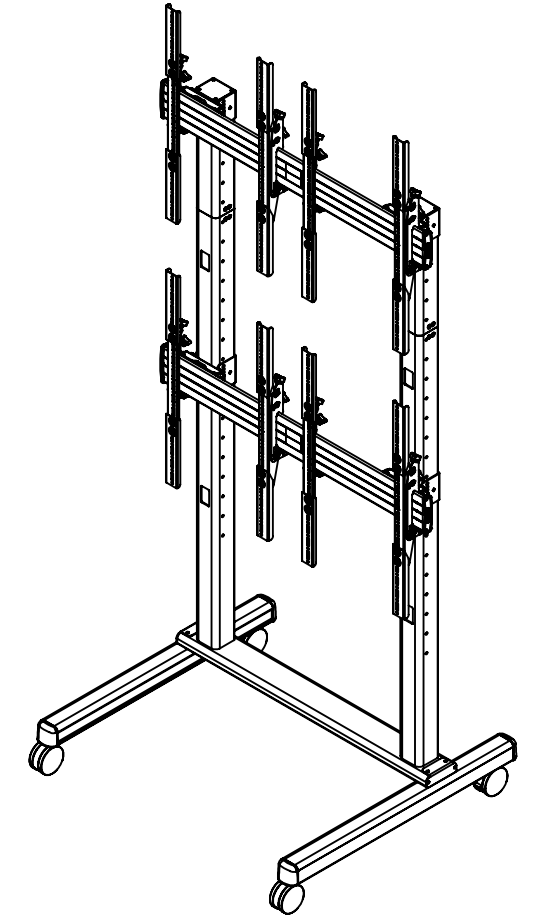
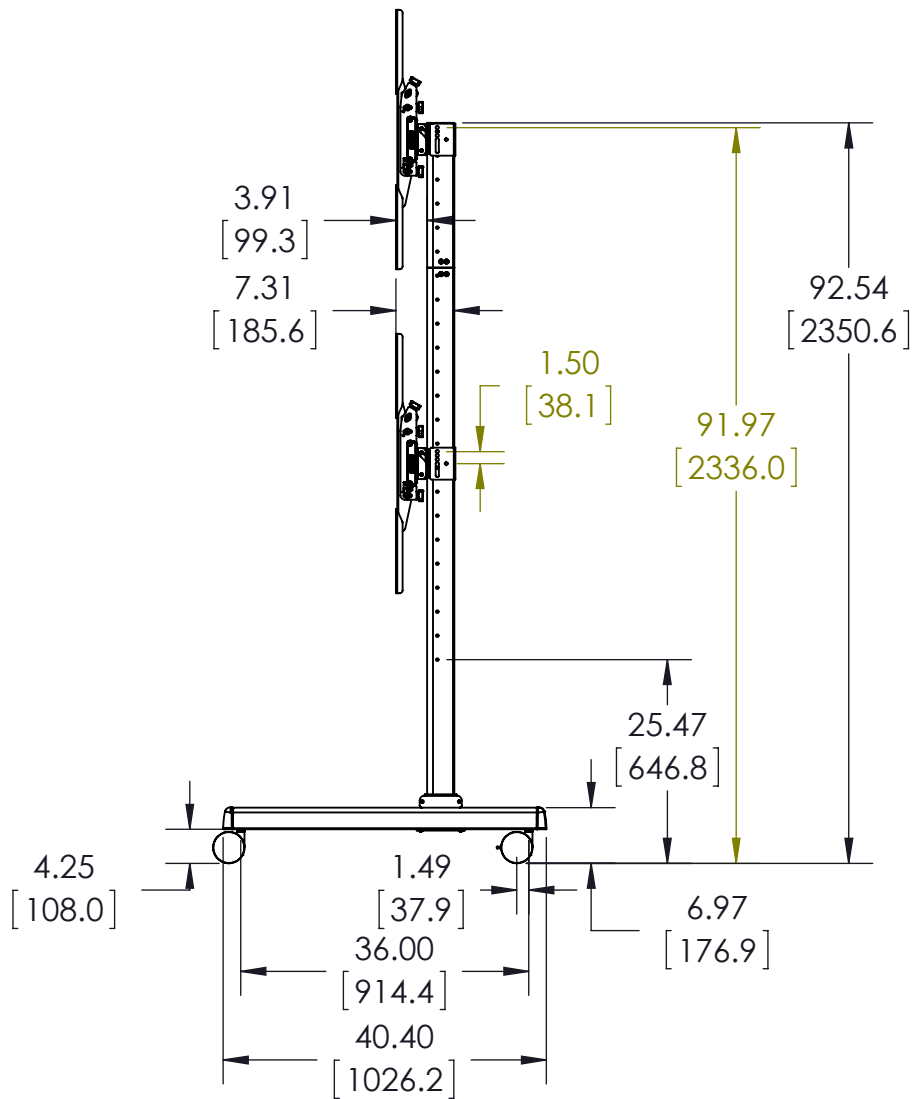
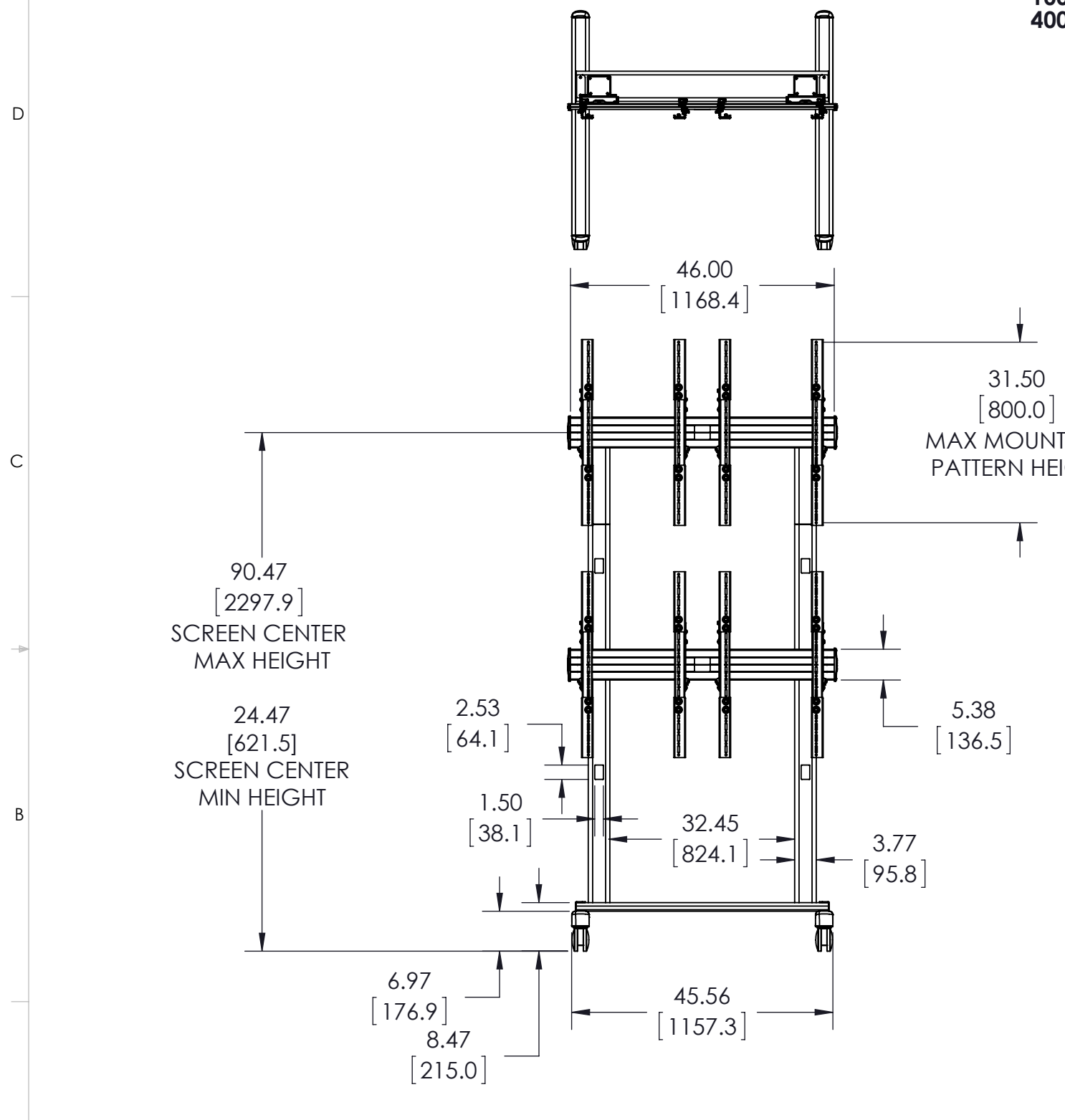


MAX WEIGHT:  
100 LBS PER DISPLAY  
400 LBS TOTAL CAPACITY

TECH-000129



THE INFORMATION AND DESIGNS CONTAINED IN THIS DRAWING ARE CONFIDENTIAL AND THE PROPRIETARY PROPERTY OF MILESTONE AV TECHNOLOGIES NEITHER THIS DESIGN NOR ANY INFORMATION CONTAINED IN THIS DRAWING MAY BE REPRODUCED OR DISCLOSED TO OTHERS WITHOUT THE EXPRESS WRITTEN CONSENT OF MILESTONE AV TECHNOLOGIES.

CAD GENERATED DRAWING, DO NOT MANUALLY UPDATE.			6436 CITY WEST PKWY EDEN PRAIRIE MN, 55344 PHONE: 866-977-3901 FAX: 877-894-6918	
DRAWN BY	MJS	12/11/2012		
ENG APPROVAL	MJS	12/11/2012	DESCRIPTION <b>LVM2X2UP, FUSION PORTRAIT 2X2 VIDEO WALL CART</b>	
MFG APPROVAL				
QA APPROVAL			MODEL NO. <b>LVM2X2UP</b>	
SHEET 1 OF 1		SCALE <b>1:24</b>	SIZE <b>B</b> DWG. NO. <b>TECH-000129</b>	REV. <b>00</b>