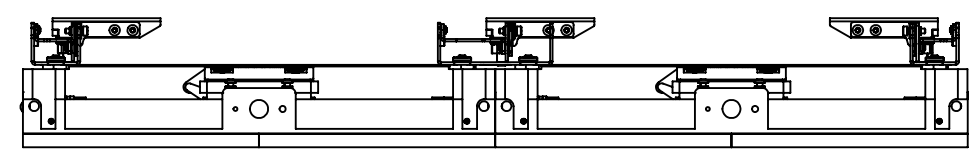
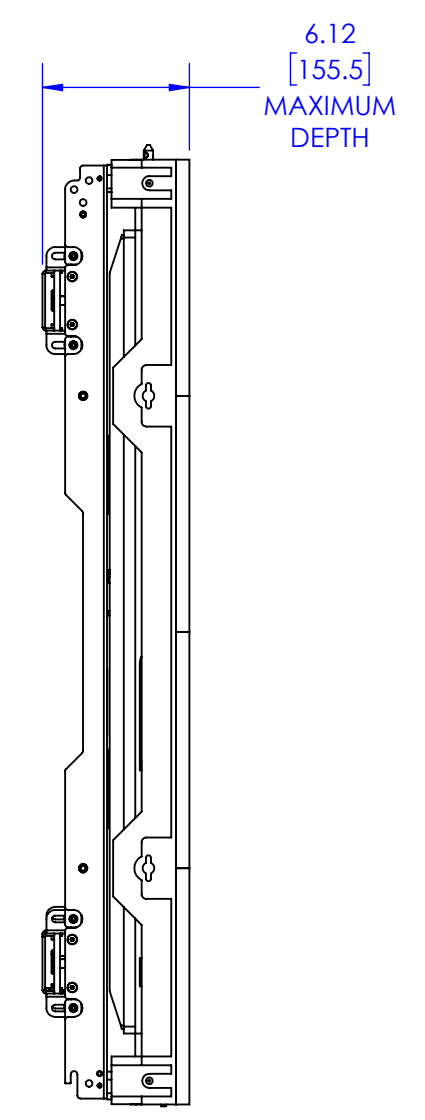
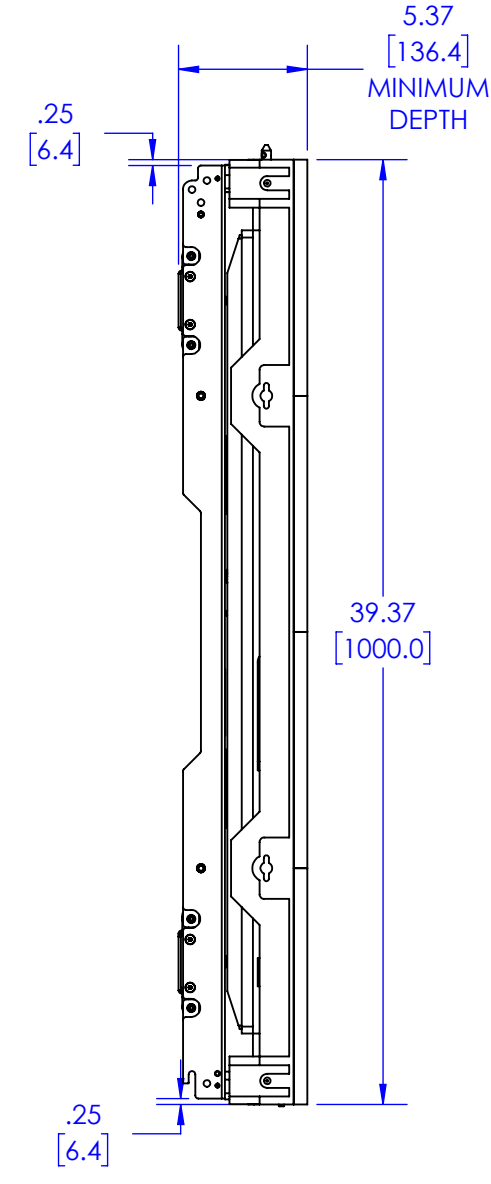
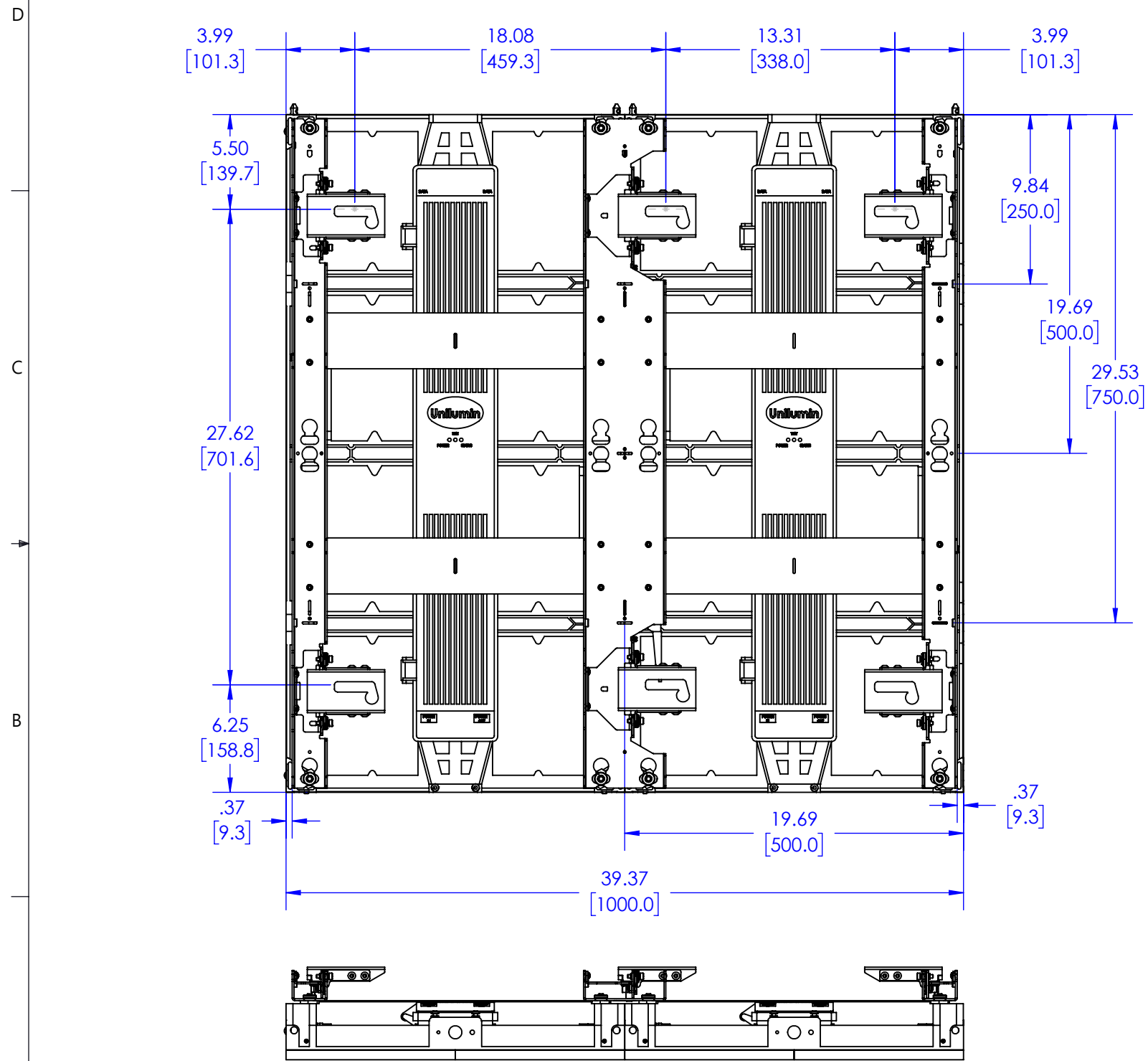


THE INFORMATION AND DESIGNS CONTAINED IN THIS DRAWING ARE CONFIDENTIAL AND THE PROPRIETARY PROPERTY OF LEGRAND | AV. NEITHER THIS DESIGN NOR ANY INFORMATION CONTAINED IN THIS DRAWING MAY BE REPRODUCED OR DISCLOSED TO OTHERS WITHOUT THE EXPRESS WRITTEN CONSENT OF LEGRAND | AV.

CAD GENERATED DRAWING, DO NOT MANUALLY UPDATE.				6436 CITY WEST PKWY EDEN PRAIRIE MN, 55344 PHONE: 866-977-3901 FAX: 877-894-6918	
DRAWN BY	JAB	4/27/2021	DESCRIPTION		
ENG APPROVAL			TILD1X1US-L, TILD1X1US-M, TILD1X1US-R, TECH DRAWING		
MFG APPROVAL			MODEL NO.		
QA APPROVAL			TILD1X1US SERIES MOUNTS		
SHEET 1 OF 2		SCALE	SIZE	DWG. NO.	REV.
		1:8	B	TECH-001153	00



SHOWN WITH 1000 X 500 mm UNILUMIN U-SLIM DVLED PANELS

THE INFORMATION AND DESIGNS CONTAINED IN THIS DRAWING ARE CONFIDENTIAL AND THE PROPRIETARY PROPERTY OF LEGRAND | AV. NEITHER THIS DESIGN NOR ANY INFORMATION CONTAINED IN THIS DRAWING MAY BE REPRODUCED OR DISCLOSED TO OTHERS WITHOUT THE EXPRESS WRITTEN CONSENT OF LEGRAND | AV.

CAD GENERATED DRAWING, DO NOT MANUALLY UPDATE.					6436 CITY WEST PKWY EDEN PRAIRIE MN, 55344 PHONE: 866-977-3901 FAX: 877-894-6918	
DRAWN BY	JAB	4/27/2021	DESCRIPTION			
ENG APPROVAL			TILD1X1US-L, TILD1X1US-M, TILD1X1US-R, TECH DRAWING			
MFG APPROVAL			MODEL NO.			
QA APPROVAL			TILD1X1US SERIES MOUNTS			
SHEET 2 OF 2		SCALE	SIZE	DWG. NO.	REV.	
		1:8	B	TECH-001153	00	