

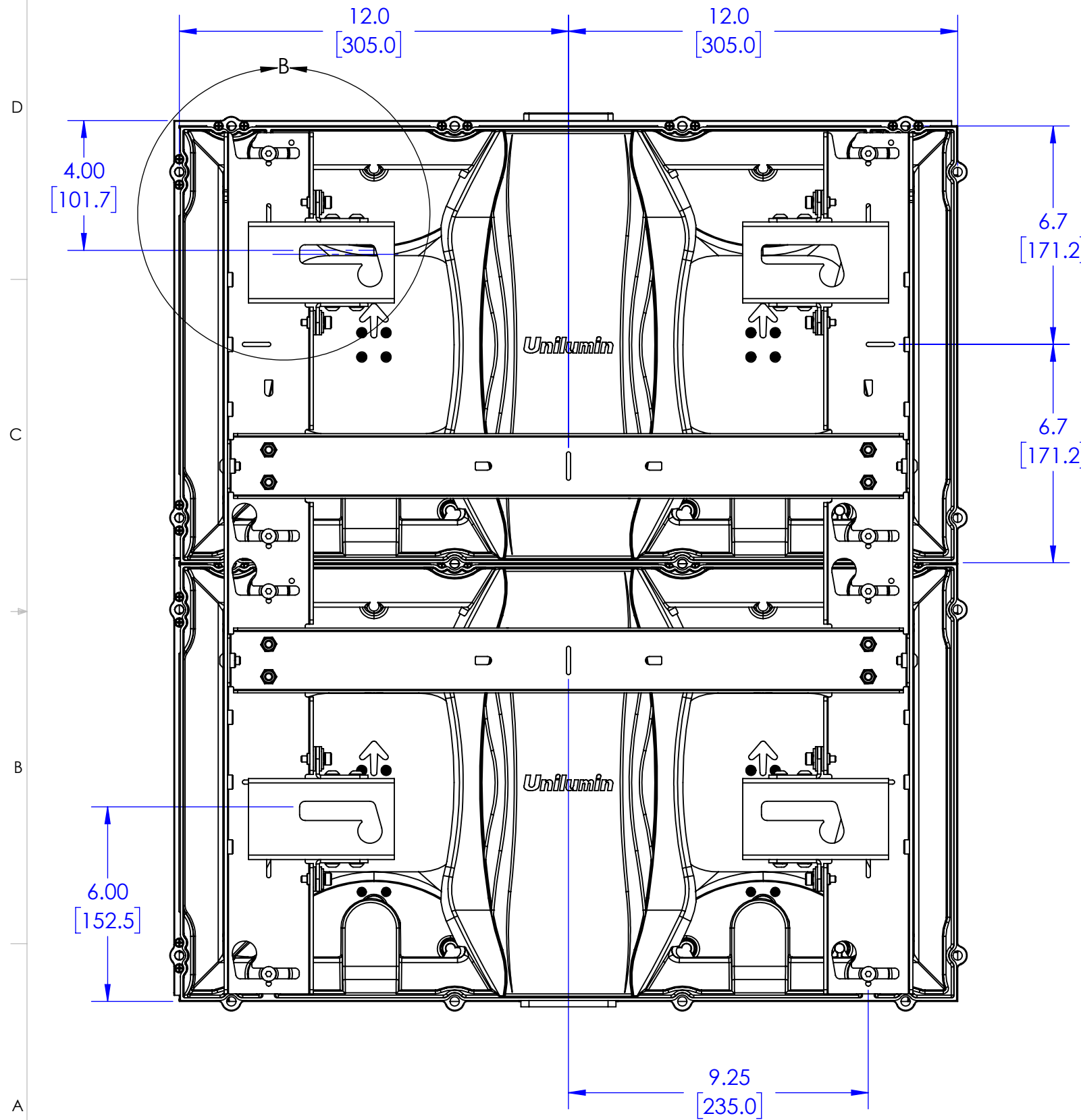
THE INFORMATION AND DESIGNS CONTAINED IN THIS DRAWING ARE CONFIDENTIAL AND THE PROPRIETARY PROPERTY OF MILESTONE AV TECHNOLOGIES NEITHER THIS DESIGN NOR ANY INFORMATION CONTAINED IN THIS DRAWING MAY BE REPRODUCED OR DISCLOSED TO OTHERS WITHOUT THE EXPRESS WRITTEN CONSENT OF MILESTONE AV TECHNOLOGIES.

CAD GENERATED DRAWING, DO NOT MANUALLY UPDATE.				6436 CITY WEST PKWY EDEN PRAIRIE MN, 55344 PHONE: 866-977-3901 FAX: 877-894-6918	
DRAWN BY	JAB	9/24/2018		DESCRIPTION U-PANEL S & BARCO XT, LED MOUNT, 2-HIGH	
ENG APPROVAL			MODEL NO. TIL1X2UU		
MFG APPROVAL			SCALE	SIZE	DWG. NO.
QA APPROVAL			1:4	B	TECH-000947
SHEET 1 OF 3			REV.	01	

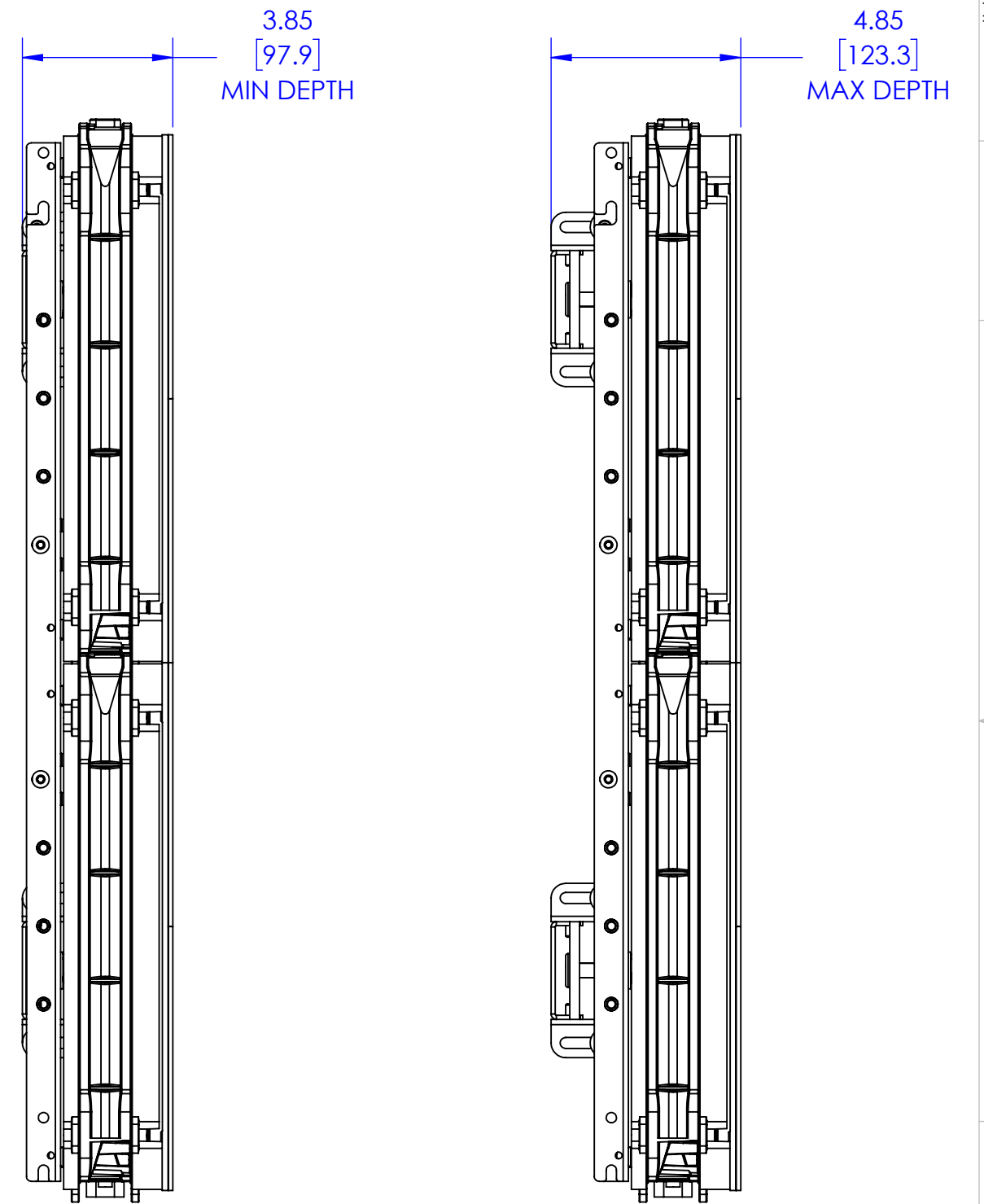
DETAIL VIEW ON SHEET 3

STATUS: MM 09/27/2019 - RELEASED ON ECO: 500020558

TECH-000947

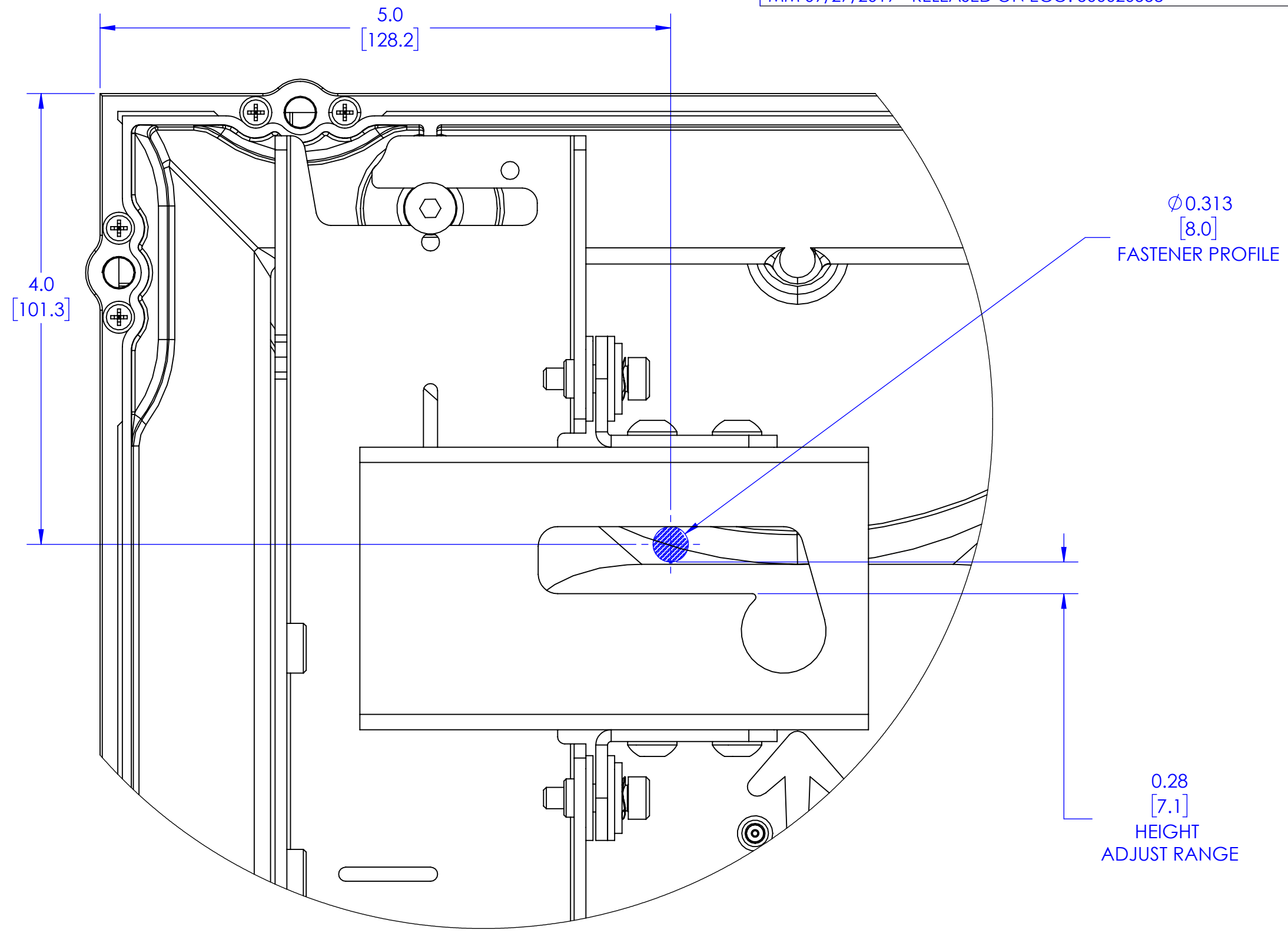


REAR VIEW
(WALL SIDE)



THE INFORMATION AND DESIGNS CONTAINED IN THIS DRAWING ARE CONFIDENTIAL AND THE PROPRIETARY PROPERTY OF MILESTONE AV TECHNOLOGIES NEITHER THIS DESIGN NOR ANY INFORMATION CONTAINED IN THIS DRAWING MAY BE REPRODUCED OR DISCLOSED TO OTHERS WITHOUT THE EXPRESS WRITTEN CONSENT OF MILESTONE AV TECHNOLOGIES.

CAD GENERATED DRAWING, DO NOT MANUALLY UPDATE.			CHIEF	6436 CITY WEST PKWY EDEN PRAIRIE MN, 55344 PHONE: 866-977-3901 FAX: 877-894-6918	
DRAWN BY	JAB	9/24/2018		DESCRIPTION	U-PANEL S & BARCO XT, LED MOUNT, 2-HIGH
ENG APPROVAL			MODEL NO.	TIL1X2UU	
MFG APPROVAL			SCALE	1:4	REV.
QA APPROVAL			SIZE	B	01
SHEET 2 OF 3			DWG. NO.	TECH-000947	



DETAIL B
SCALE 1 : 1

THE INFORMATION AND DESIGNS CONTAINED IN THIS DRAWING ARE CONFIDENTIAL AND THE PROPRIETARY PROPERTY OF MILESTONE AV TECHNOLOGIES NEITHER THIS DESIGN NOR ANY INFORMATION CONTAINED IN THIS DRAWING MAY BE REPRODUCED OR DISCLOSED TO OTHERS WITHOUT THE EXPRESS WRITTEN CONSENT OF MILESTONE AV TECHNOLOGIES.

CAD GENERATED DRAWING, DO NOT MANUALLY UPDATE.				6436 CITY WEST PKWY EDEN PRAIRIE MN, 55344 PHONE: 866-977-3901 FAX: 877-894-6918	
DRAWN BY	JAB	9/24/2018		DESCRIPTION U-PANEL S & BARCO XT, LED MOUNT, 2-HIGH	
ENG APPROVAL			MODEL NO. TIL1X2UU		
MFG APPROVAL			REV. 01		
QA APPROVAL			SHEET 3 OF 3		
SCALE		1:4	SIZE	DWG. NO.	
			B	TECH-000947	