

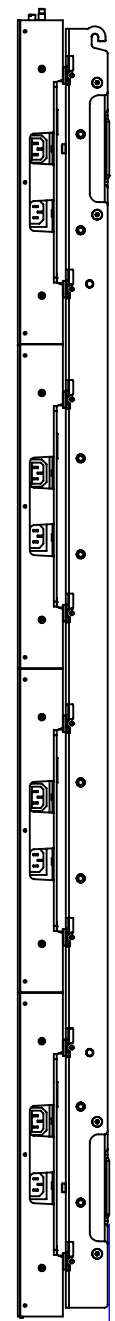
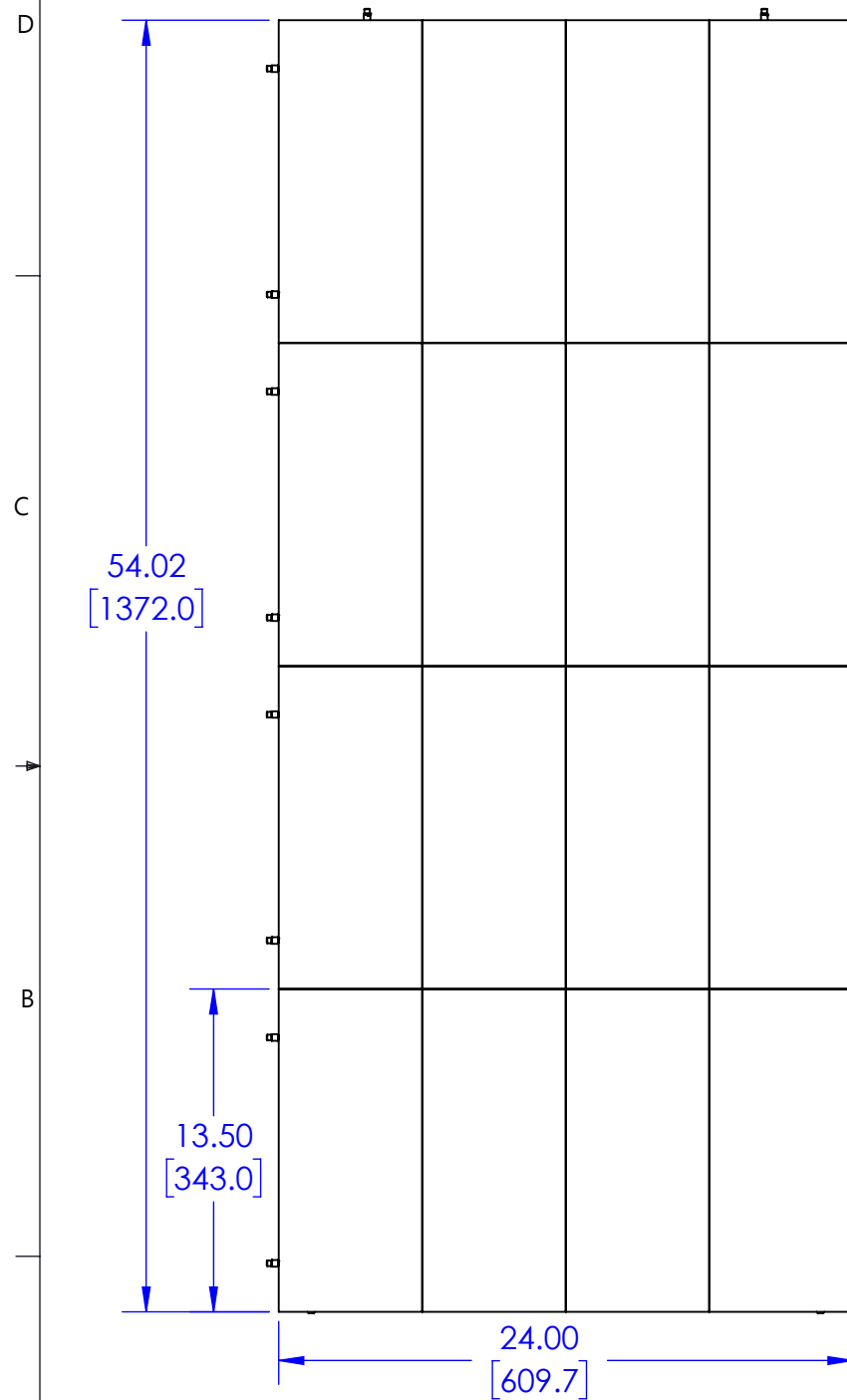
THE INFORMATION AND DESIGNS CONTAINED IN THIS DRAWING ARE CONFIDENTIAL AND THE PROPRIETARY PROPERTY OF MILESTONE AV TECHNOLOGIES NEITHER THIS DESIGN NOR ANY INFORMATION CONTAINED IN THIS DRAWING MAY BE REPRODUCED OR DISCLOSED TO OTHERS WITHOUT THE EXPRESS WRITTEN CONSENT OF MILESTONE AV TECHNOLOGIES.

CAD GENERATED DRAWING, DO NOT MANUALLY UPDATE.				6436 CITY WEST PKWY EDEN PRAIRIE MN, 55344 PHONE: 866-977-3901 FAX: 877-894-6918	
DRAWN BY	JAB	10/25/2019	DESCRIPTION		
ENG APPROVAL			LED, 1 X 4 HIGH		
MFG APPROVAL			MODEL NO.		
QA APPROVAL			TILX4AP		
SHEET 1 OF 3		SCALE	SIZE	DWG. NO.	REV.
		1:8	B	TECH-001029	00

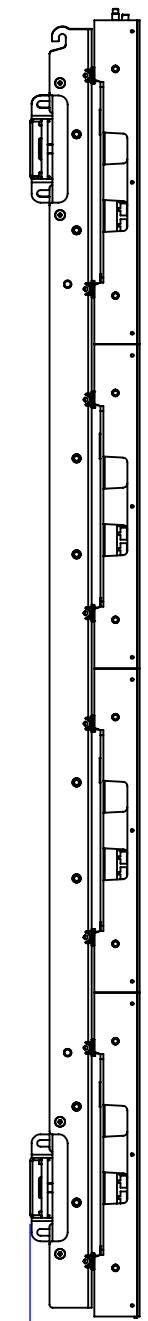
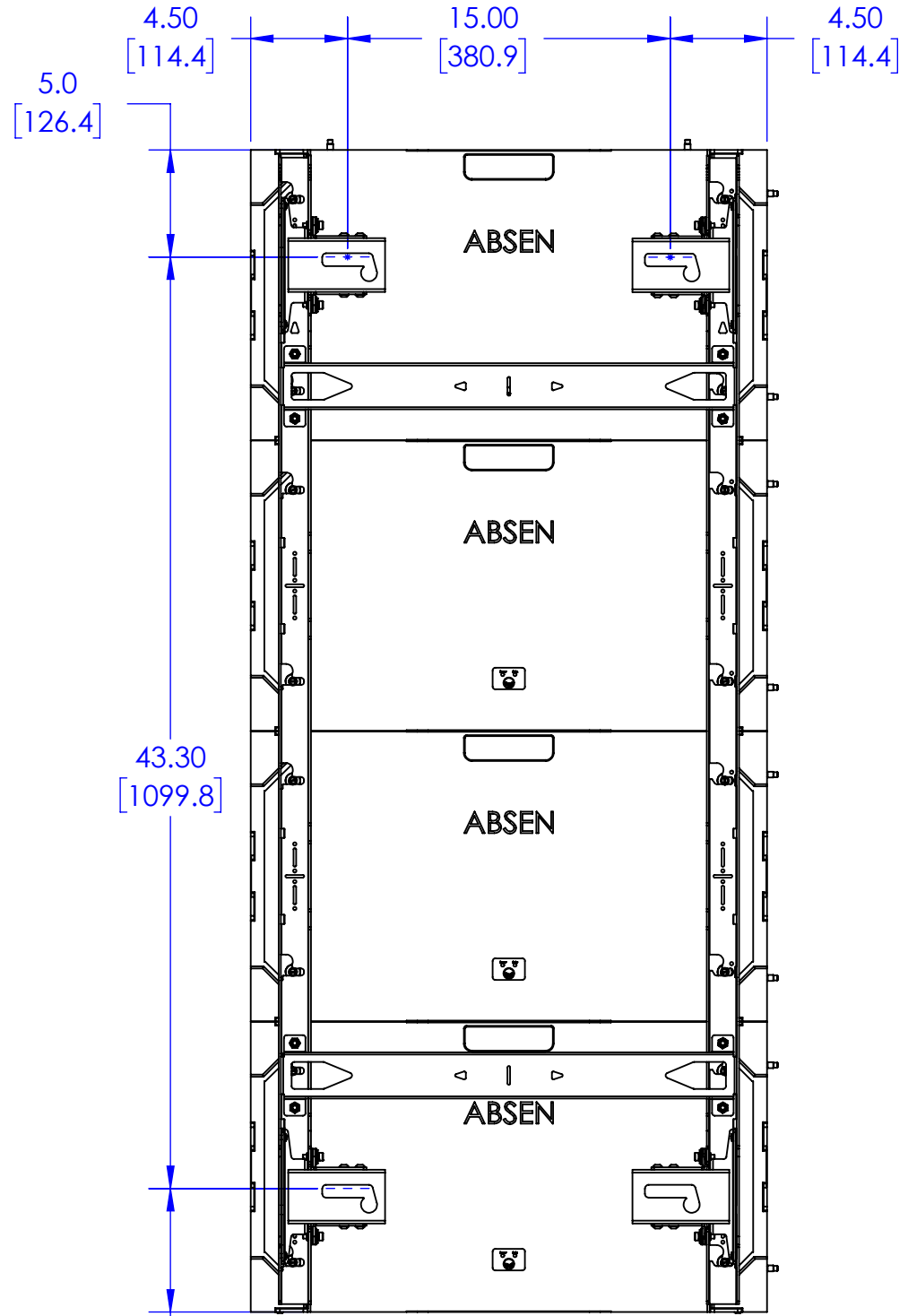
SHOWN WITH ABSEN ACCLAIM PRO, PLUS

STATUS: MM 11/01/2019 - RELEASED ON ECO: 500020769

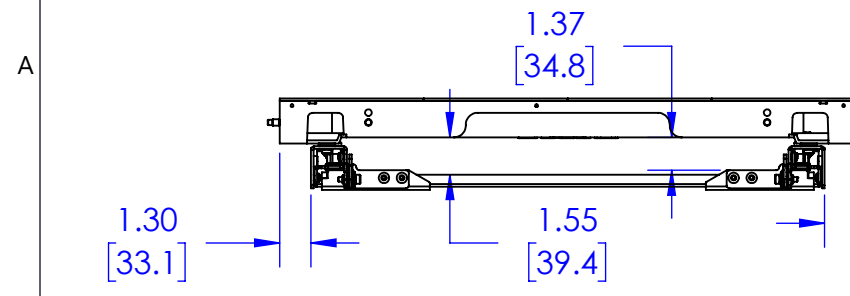
TECH-001029



3.81 [96.8] MIN. DEPTH



4.56 [115.9] MAX. DEPTH



THE INFORMATION AND DESIGNS CONTAINED IN THIS DRAWING ARE CONFIDENTIAL AND THE PROPRIETARY PROPERTY OF MILESTONE AV TECHNOLOGIES NEITHER THIS DESIGN NOR ANY INFORMATION CONTAINED IN THIS DRAWING MAY BE REPRODUCED OR DISCLOSED TO OTHERS WITHOUT THE EXPRESS WRITTEN CONSENT OF MILESTONE AV TECHNOLOGIES.

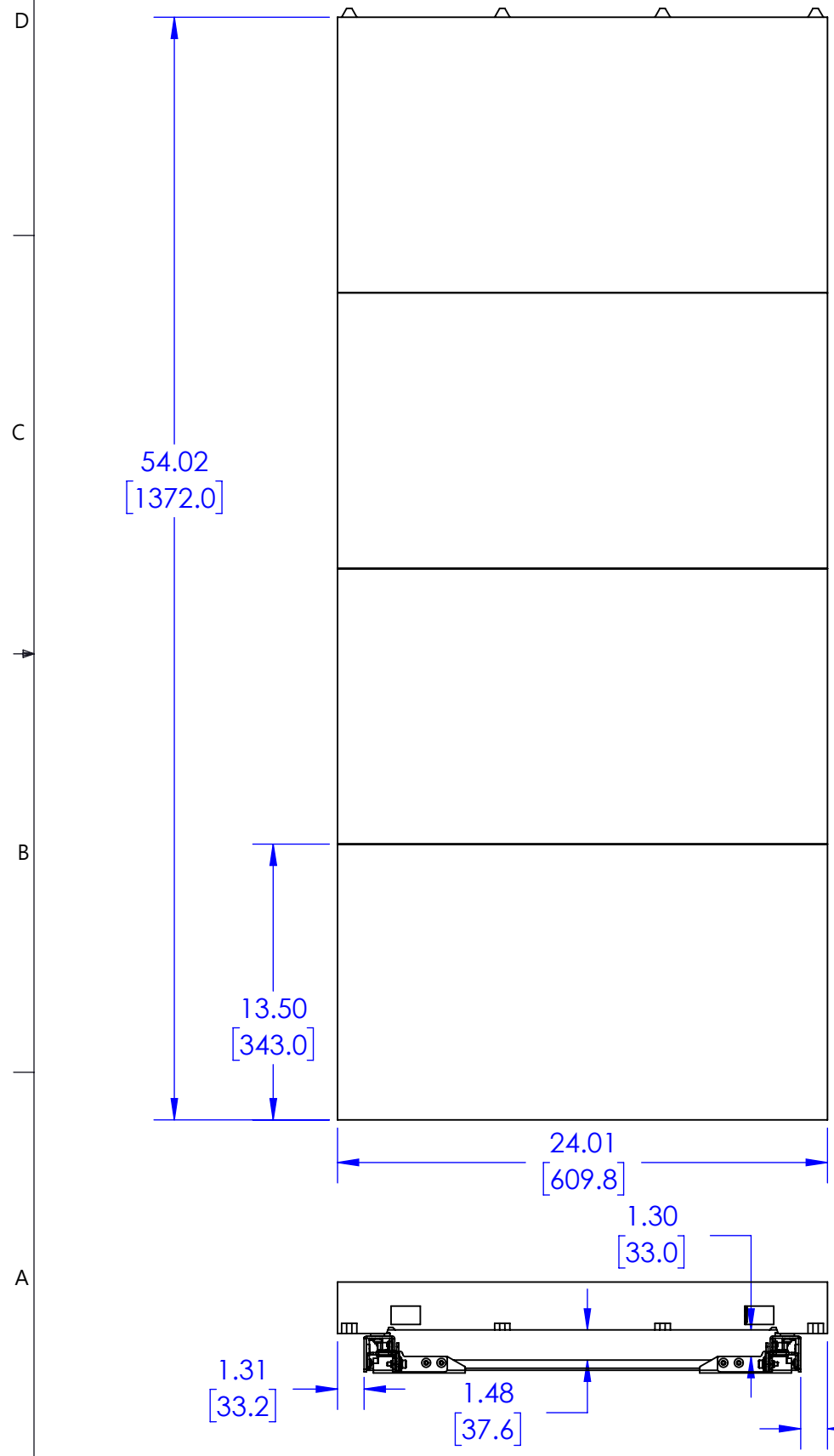
CAD GENERATED DRAWING, DO NOT MANUALLY UPDATE.				6436 CITY WEST PKWY EDEN PRAIRIE MN, 55344 PHONE: 866-977-3901 FAX: 877-894-6918	
DRAWN BY	JAB	10/25/2019	DESCRIPTION		
ENG APPROVAL			LED, 1 X 4 HIGH		
MFG APPROVAL			MODEL NO.		
QA APPROVAL			TILX4AP		
SHEET 2 OF 3		SCALE	SIZE	DWG. NO.	REV.
		1:8	B	TECH-001029	00

A

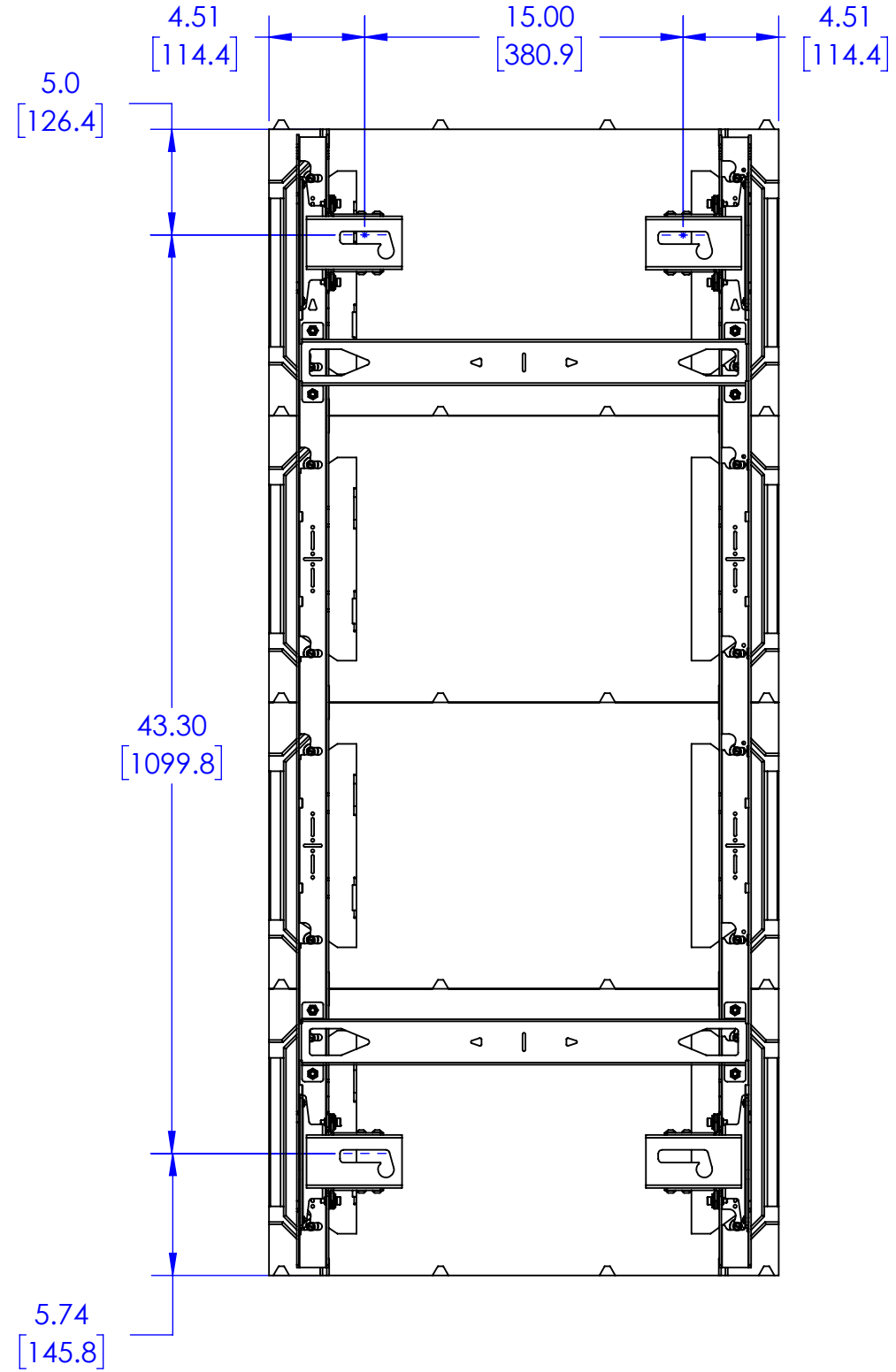
SHOWN WITH ABSEN ACCLAIM

STATUS: MM 11/01/2019 - RELEASED ON ECO: 500020769

TECH-001029



4.46 [113.3] MIN. DEPTH



5.21 [132.4] MAX. DEPTH

THE INFORMATION AND DESIGNS CONTAINED IN THIS DRAWING ARE CONFIDENTIAL AND THE PROPRIETARY PROPERTY OF MILESTONE AV TECHNOLOGIES NEITHER THIS DESIGN NOR ANY INFORMATION CONTAINED IN THIS DRAWING MAY BE REPRODUCED OR DISCLOSED TO OTHERS WITHOUT THE EXPRESS WRITTEN CONSENT OF MILESTONE AV TECHNOLOGIES.

CAD GENERATED DRAWING, DO NOT MANUALLY UPDATE.		6436 CITY WEST PKWY EDEN PRAIRIE MN, 55344 PHONE: 866-977-3901 FAX: 877-894-6918	
DRAWN BY	JAB	10/25/2019	DESCRIPTION
ENG APPROVAL			LED, 1 X 4 HIGH
MFG APPROVAL			MODEL NO.
QA APPROVAL			TILIX4AP
SHEET 3 OF 3	SCALE 1:8	SIZE B	DWG. NO. TECH-001029
			REV. 00