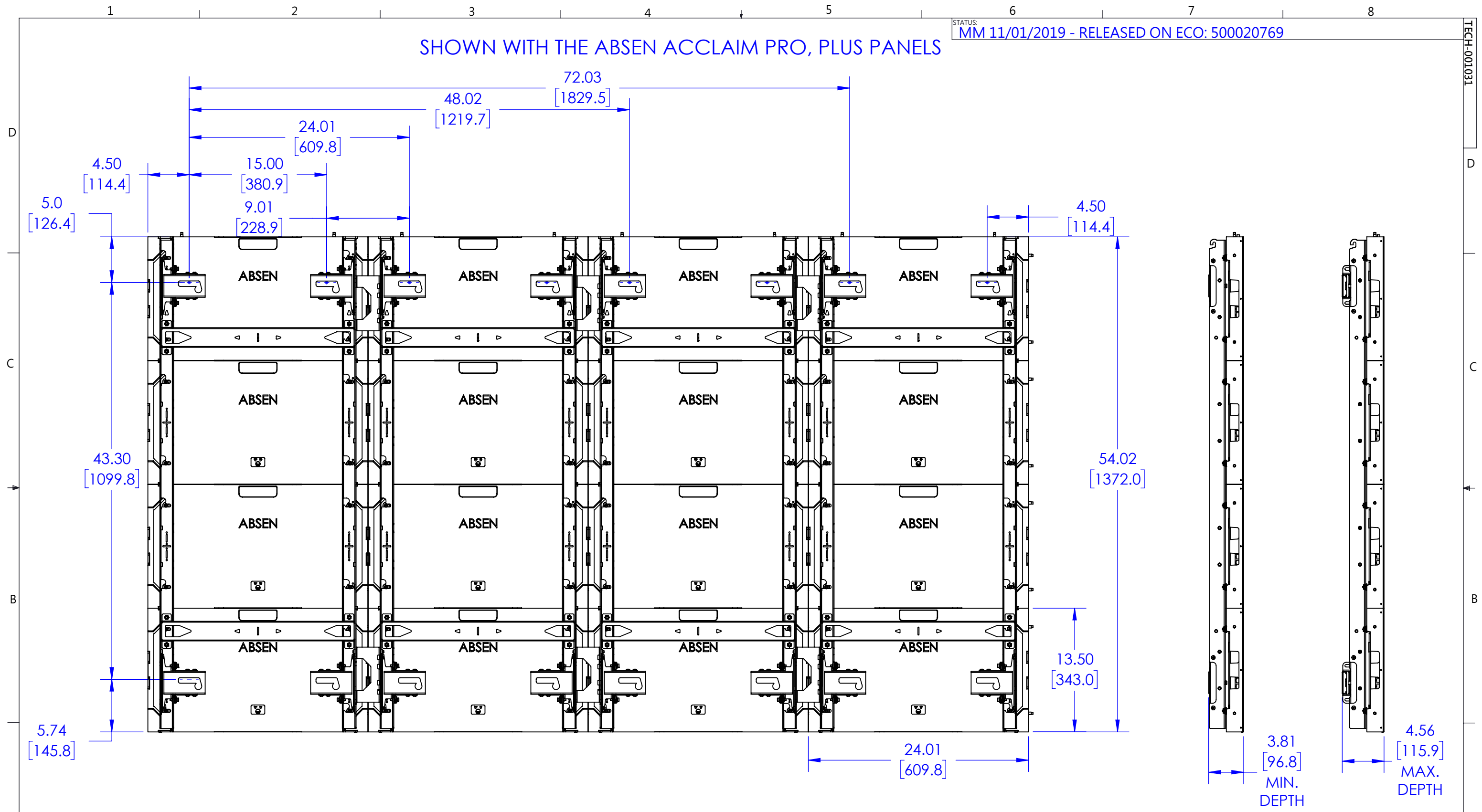


**THIS CONFIGURATION REQUIRES  
4 - TILX4AP**

THE INFORMATION AND DESIGNS CONTAINED IN THIS DRAWING ARE CONFIDENTIAL AND THE PROPRIETARY PROPERTY OF MILESTONE AV TECHNOLOGIES NEITHER THIS DESIGN NOR ANY INFORMATION CONTAINED IN THIS DRAWING MAY BE REPRODUCED OR DISCLOSED TO OTHERS WITHOUT THE EXPRESS WRITTEN CONSENT OF MILESTONE AV TECHNOLOGIES.

CAD GENERATED DRAWING, DO NOT MANUALLY UPDATE.						6436 CITY WEST PKWY EDEN PRAIRIE MN, 55344 PHONE: 866-977-3901 FAX: 877-894-6918	
DRAWN BY	JAB	10/21/2019	DESCRIPTION				
ENG APPROVAL			TILX4AP 4 X 4 CONFIGURATION				
MFG APPROVAL			MODEL NO.				
QA APPROVAL			TILX4AP				
SHEET 1 OF 4		SCALE	1:10	SIZE	DWG. NO.	REV.	
			B	TECH-001031		00	

SHOWN WITH THE ABSEN ACCLAIM PRO, PLUS PANELS



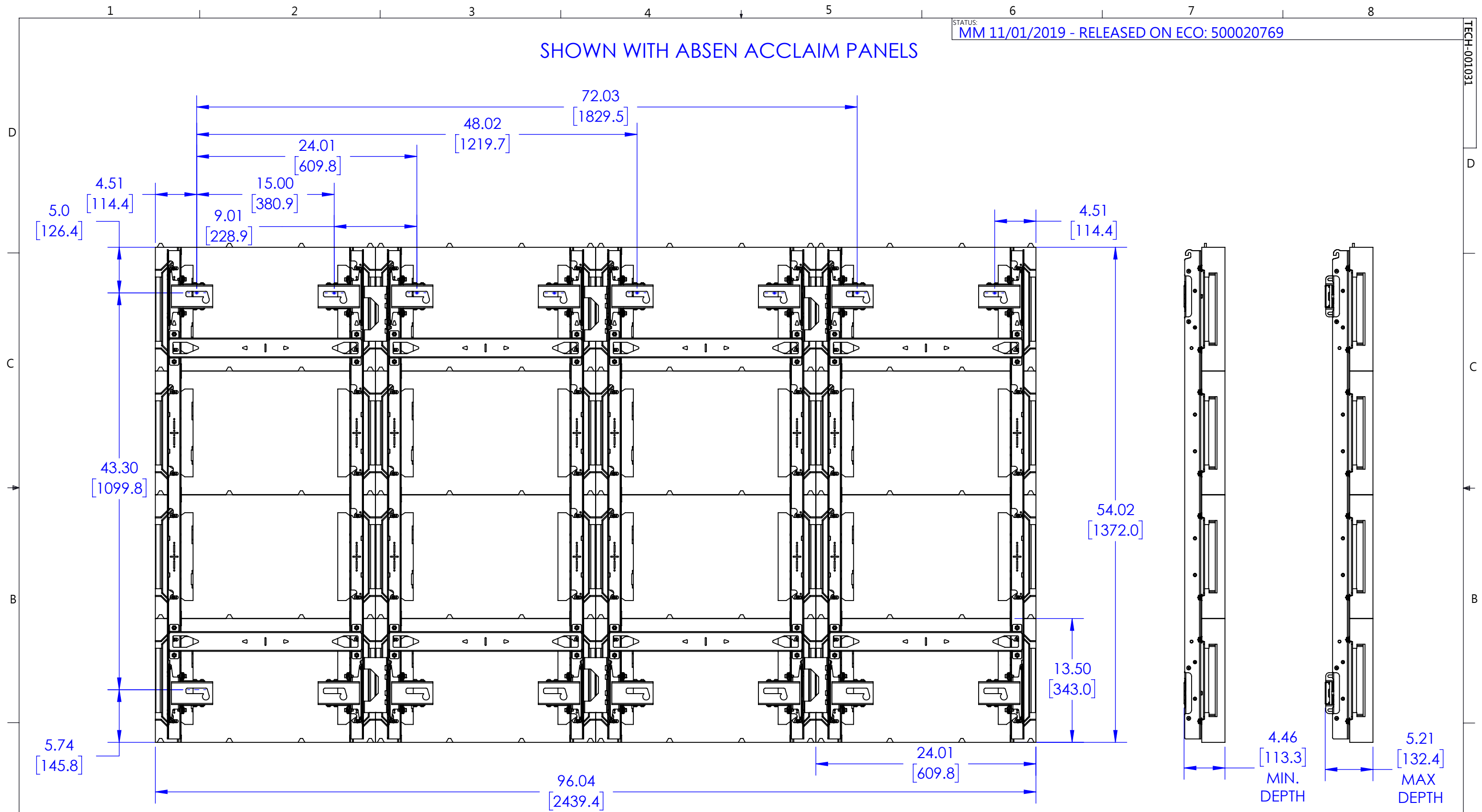
THE INFORMATION AND DESIGNS CONTAINED IN THIS DRAWING ARE CONFIDENTIAL AND THE PROPRIETARY PROPERTY OF MILESTONE AV TECHNOLOGIES NEITHER THIS DESIGN NOR ANY INFORMATION CONTAINED IN THIS DRAWING MAY BE REPRODUCED OR DISCLOSED TO OTHERS WITHOUT THE EXPRESS WRITTEN CONSENT OF MILESTONE AV TECHNOLOGIES.

CAD GENERATED DRAWING, DO NOT MANUALLY UPDATE.		<p>6436 CITY WEST PKWY EDEN PRAIRIE, MN, 55344 PHONE: 866-977-3901 FAX: 877-894-6918</p>
DRAWN BY	JAB 10/21/2019	
ENG APPROVAL		DESCRIPTION <b>TILX4AP 4 X 4 CONFIGURATION</b>
MFG APPROVAL		MODEL NO. <b>TILX4AP</b>
QA APPROVAL		SIZE DWG. NO. REV. <b>B TECH-001031 00</b>
SHEET 2 OF 4		SCALE <b>1:10</b>

TECH-001031

A

SHOWN WITH ABSEN ACCLAIM PANELS

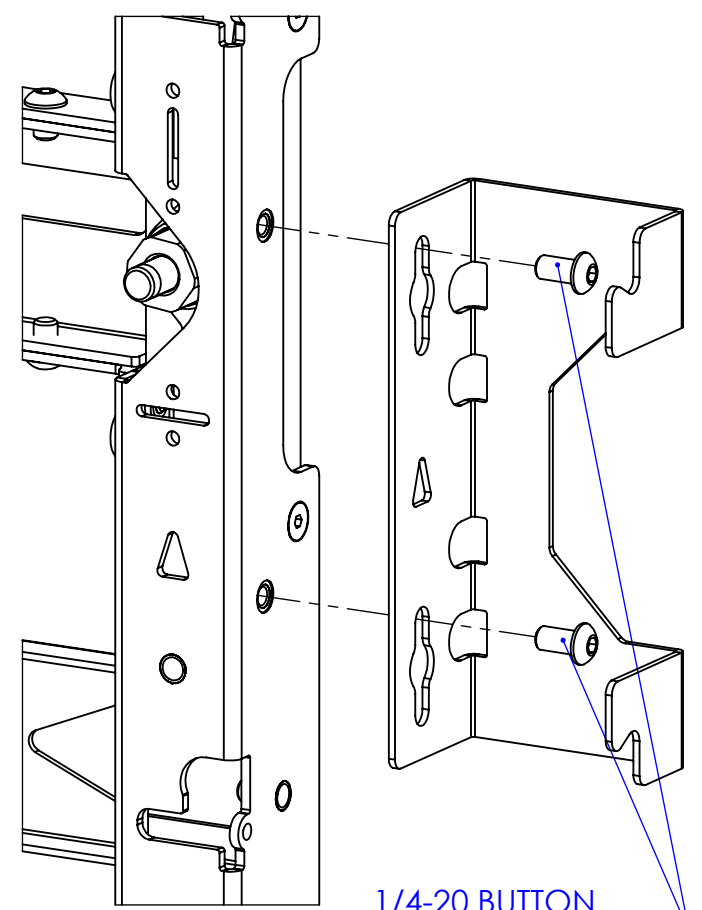
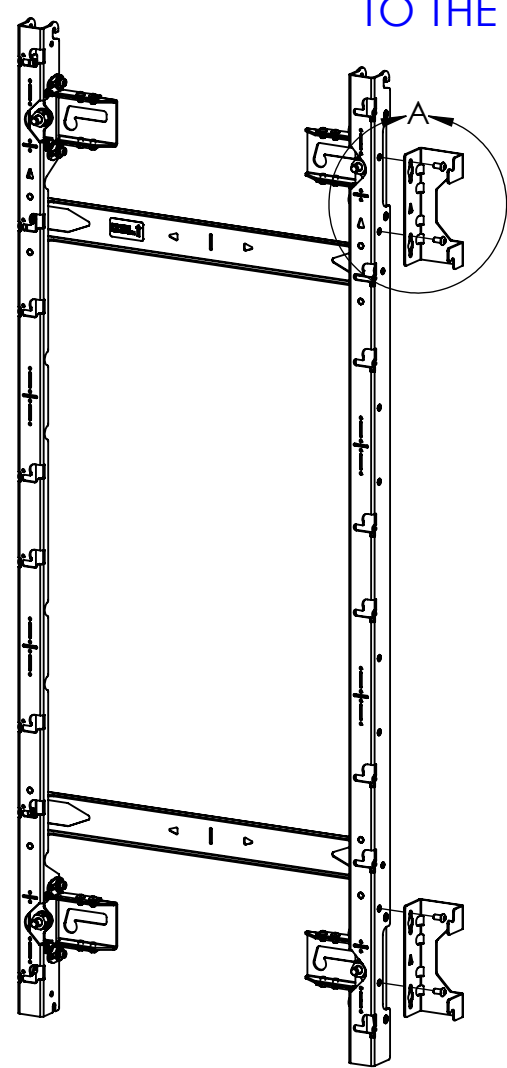


THE INFORMATION AND DESIGNS CONTAINED IN THIS DRAWING ARE CONFIDENTIAL AND THE PROPRIETARY PROPERTY OF MILESTONE AV TECHNOLOGIES NEITHER THIS DESIGN NOR ANY INFORMATION CONTAINED IN THIS DRAWING MAY BE REPRODUCED OR DISCLOSED TO OTHERS WITHOUT THE EXPRESS WRITTEN CONSENT OF MILESTONE AV TECHNOLOGIES.

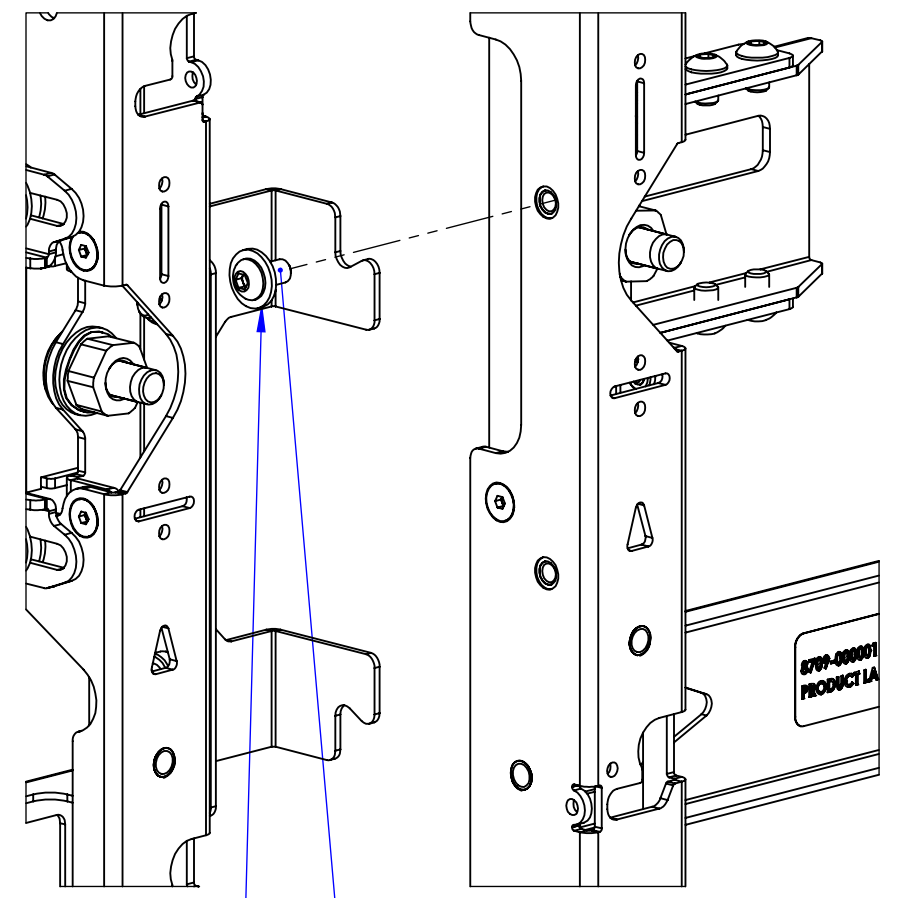
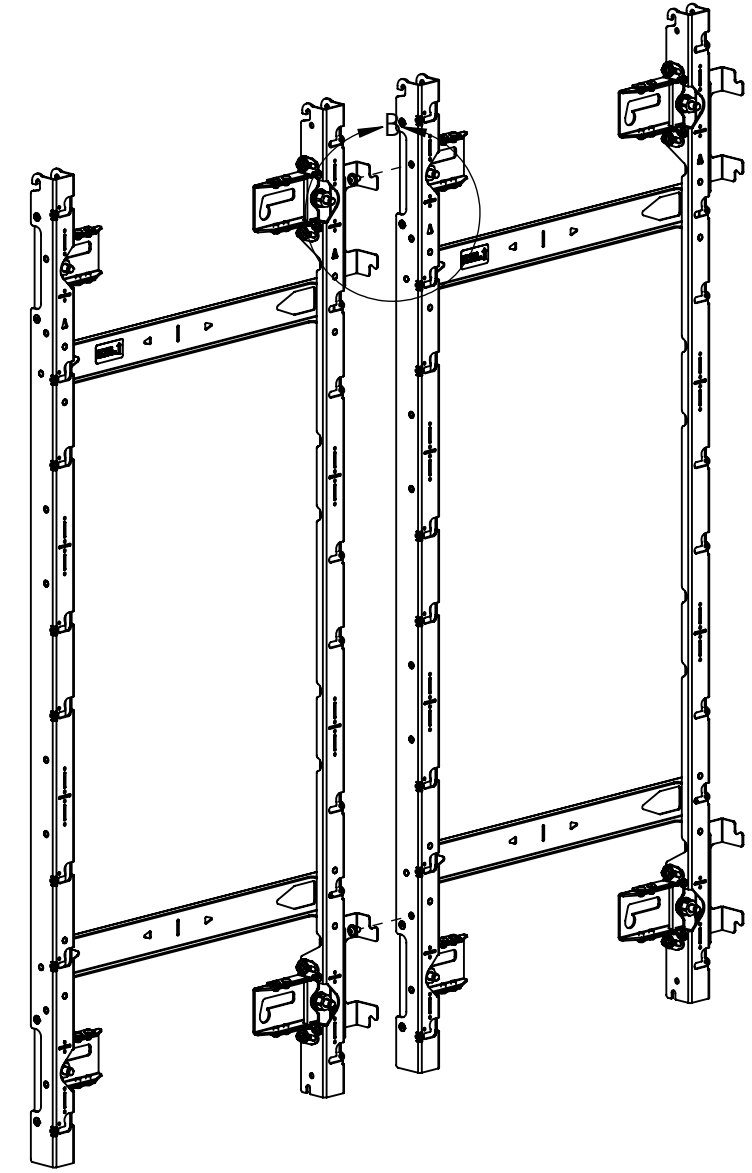
CAD GENERATED DRAWING, DO NOT MANUALLY UPDATE.				6436 CITY WEST PKWY EDEN PRAIRIE, MN, 55344 PHONE: 866-977-3901 FAX: 877-894-6918	
DRAWN BY	JAB	10/21/2019	DESCRIPTION		
ENG APPROVAL			TILX4AP 4 X 4 CONFIGURATION		
MFG APPROVAL			MODEL NO.		
QA APPROVAL			TILX4AP		
SHEET 3 OF 4		SCALE	SIZE	DWG. NO.	REV.
		1:10	B	TECH-001031	00

WHEN INSTALLING SIDE BRACKETS, IT IS USUALLY EASIER TO INSTALL THE BRACKETS PRIOR TO HANGING THE MOUNT SECTIONS ON THE WALL. THESE BRACKETS CAN BE ATTACHED ON EITHER TO THE LEFT OR RIGHT SIDE.

WHEN INSTALLING THE NEXT MOUNT SECTION, LOOSELY INSTALL THE 1/4-20 BUTTON HEAD CAP SCREW WITH A WASHER AND HANG THE NEXT SECTION ON THE BRACKET. ADJUST AS NECESSARY BEFORE ATTACHING TO THE WALL.



1/4-20 BUTTON HEAD CAP SCREWS  
 DETAIL A  
 SCALE 1 : 2  
 2 PLACES



DETAIL B  
 SCALE 1 : 2  
 1/4-20 BUTTON HEAD CAP SCREW  
 FLAT WASHER

THE SCREWS CAN BE LOOSELY INSTALLED AND THE BRACKET HUNG UTILIZING THE TEARDROP SLOTS

THE INFORMATION AND DESIGNS CONTAINED IN THIS DRAWING ARE CONFIDENTIAL AND THE PROPRIETARY PROPERTY OF MILESTONE AV TECHNOLOGIES NEITHER THIS DESIGN NOR ANY INFORMATION CONTAINED IN THIS DRAWING MAY BE REPRODUCED OR DISCLOSED TO OTHERS WITHOUT THE EXPRESS WRITTEN CONSENT OF MILESTONE AV TECHNOLOGIES.

CAD GENERATED DRAWING, DO NOT MANUALLY UPDATE.				6436 CITY WEST PKWY EDEN PRAIRIE MN, 55344 PHONE: 866-977-3901 FAX: 877-894-6918	
DRAWN BY	JAB	10/21/2019	DESCRIPTION		
ENG APPROVAL			TIL1X4AP 4 X 4 CONFIGURATION		
MFG APPROVAL			MODEL NO.		
QA APPROVAL			TIL1X4AP		
SHEET 4 OF 4		SCALE	SIZE	DWG. NO.	REV.
		1:10	B	TECH-001031	00