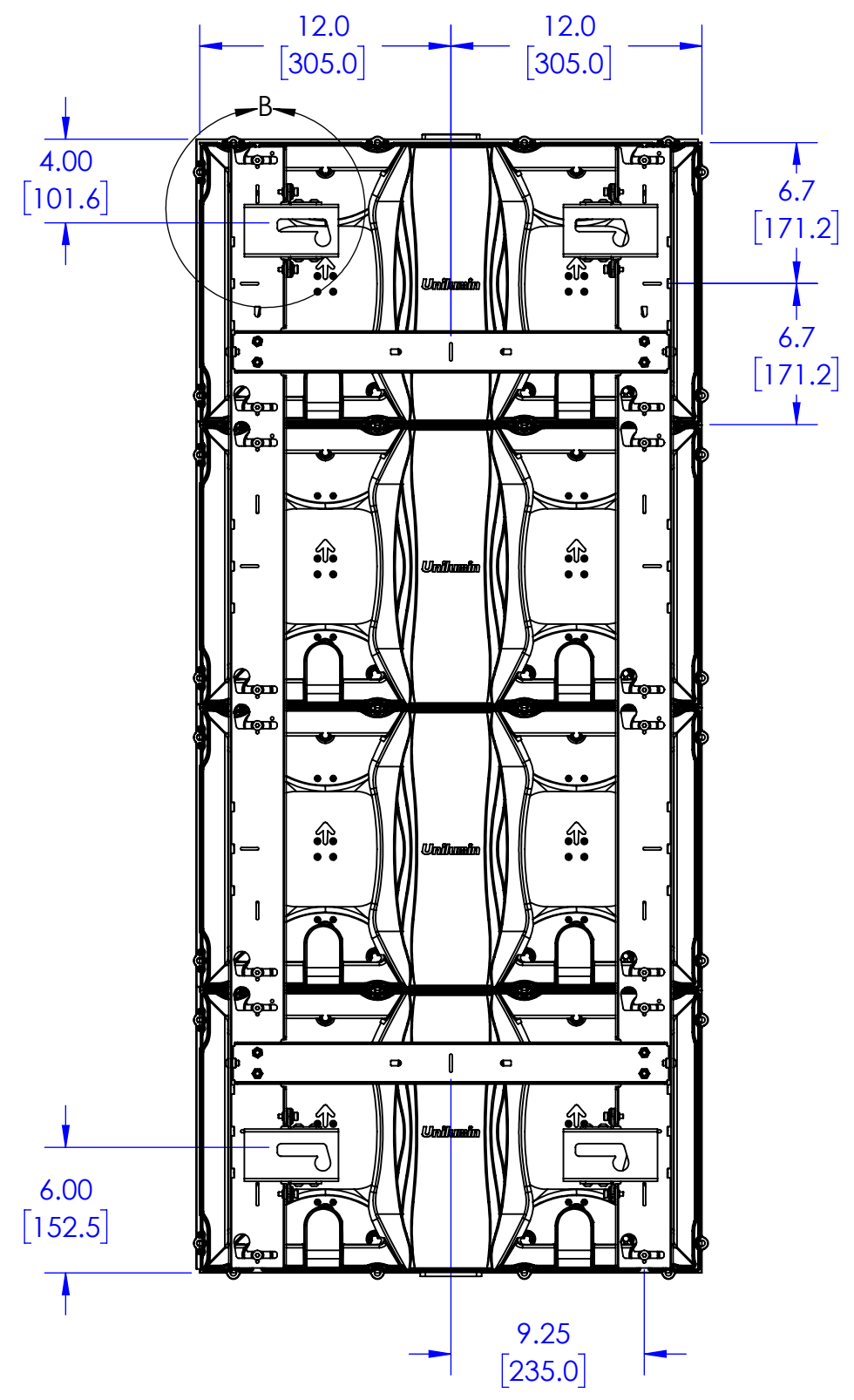


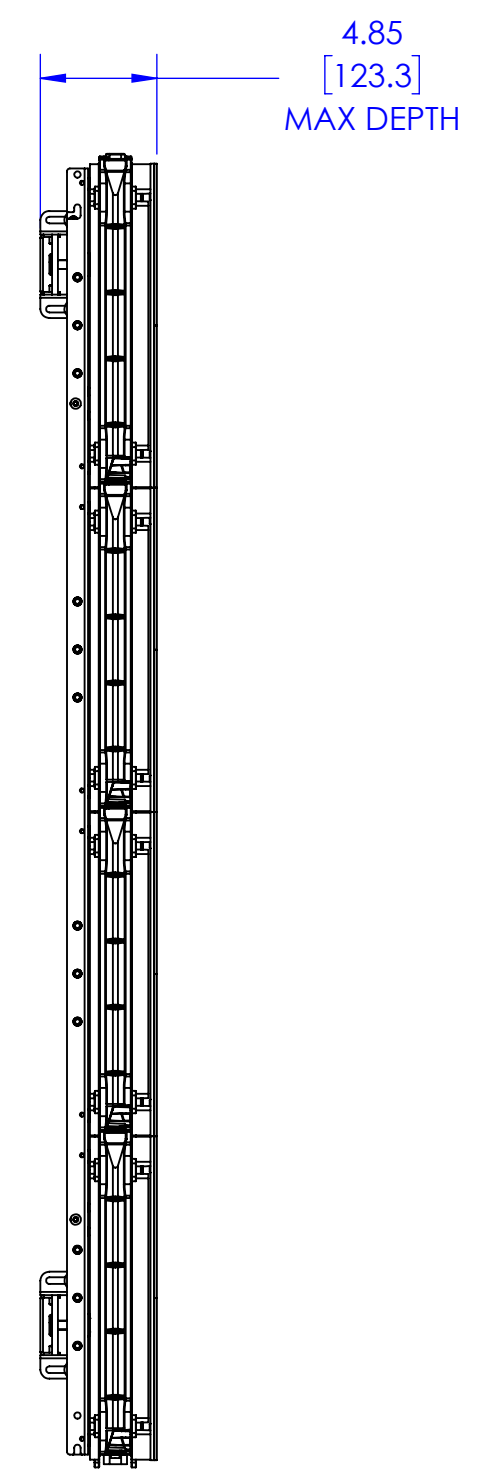
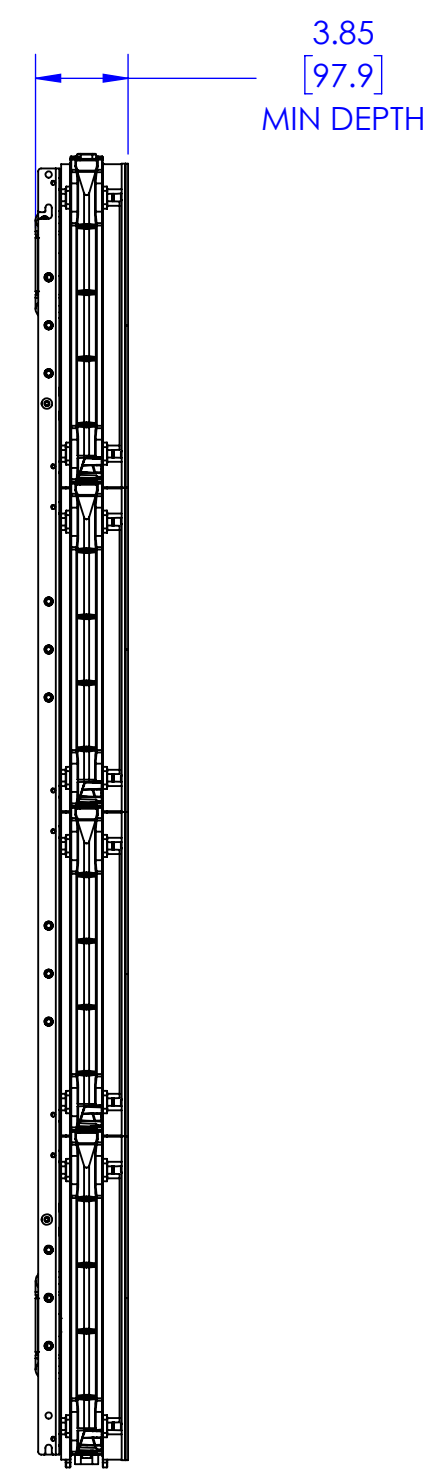
THE INFORMATION AND DESIGNS CONTAINED IN THIS DRAWING ARE CONFIDENTIAL AND THE PROPRIETARY PROPERTY OF MILESTONE AV TECHNOLOGIES NEITHER THIS DESIGN NOR ANY INFORMATION CONTAINED IN THIS DRAWING MAY BE REPRODUCED OR DISCLOSED TO OTHERS WITHOUT THE EXPRESS WRITTEN CONSENT OF MILESTONE AV TECHNOLOGIES.

CAD GENERATED DRAWING, DO NOT MANUALLY UPDATE.			6436 CITY WEST PKWY EDEN PRAIRIE MN, 55344 PHONE: 866-977-3901 FAX: 877-894-6918
DRAWN BY	JAB	9/24/2018	
ENG APPROVAL			DESCRIPTION
MFG APPROVAL			U-PANEL S & BARCO XT, LED MOUNT, 4-HIGH
QA APPROVAL			MODEL NO.
SHEET 1 OF 3			TIL1X4UU
SCALE	1:8	SIZE	DWG. NO.
		B	TECH-000949
			REV.
			01

DETAIL VIEW ON SHEET 3

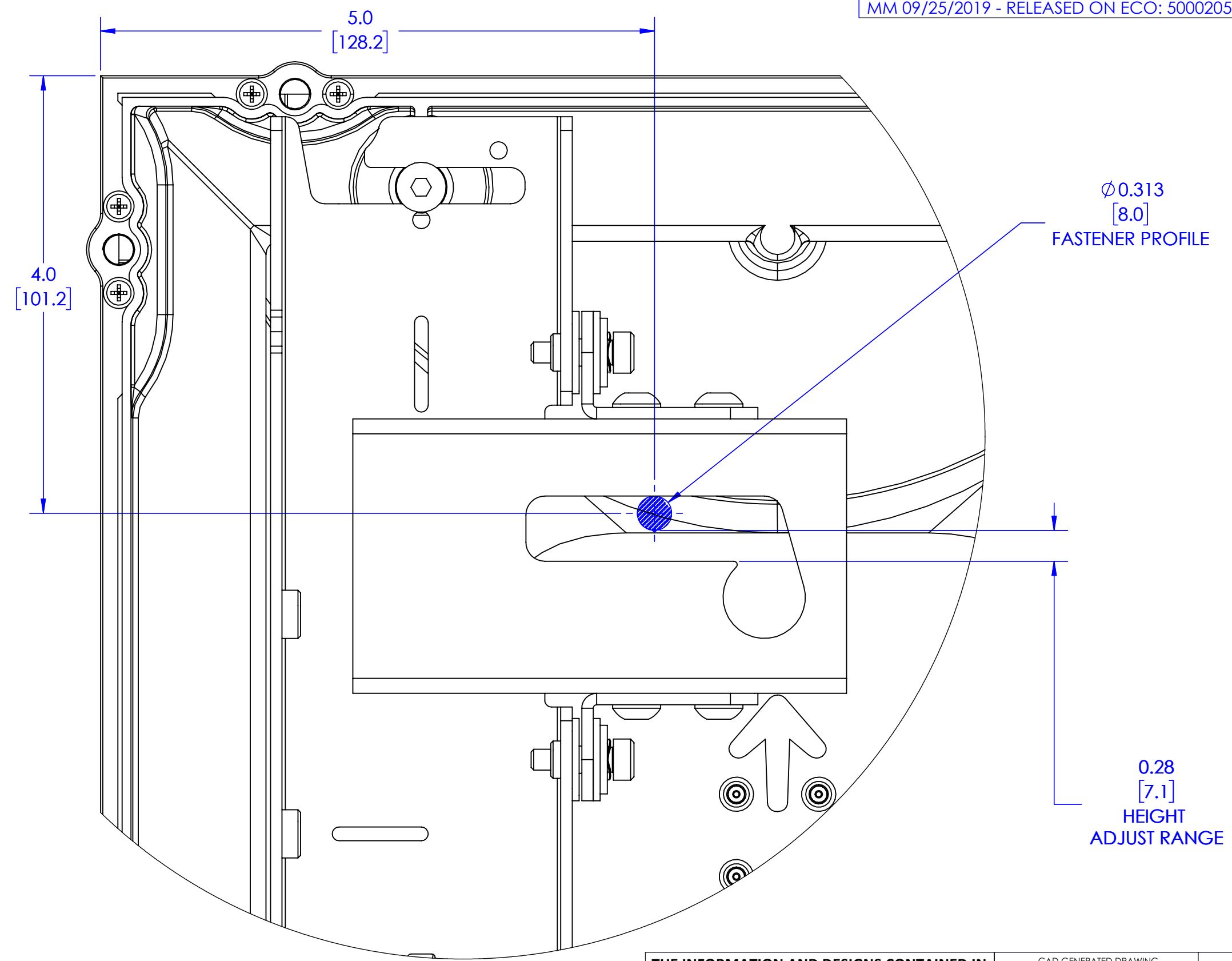


REAR VIEW
(WALL SIDE)



THE INFORMATION AND DESIGNS CONTAINED IN THIS DRAWING ARE CONFIDENTIAL AND THE PROPRIETARY PROPERTY OF MILESTONE AV TECHNOLOGIES NEITHER THIS DESIGN NOR ANY INFORMATION CONTAINED IN THIS DRAWING MAY BE REPRODUCED OR DISCLOSED TO OTHERS WITHOUT THE EXPRESS WRITTEN CONSENT OF MILESTONE AV TECHNOLOGIES.

CAD GENERATED DRAWING, DO NOT MANUALLY UPDATE.			<p>6436 CITY WEST PKWY EDEN PRAIRIE MN, 55344 PHONE: 866-977-3901 FAX: 877-894-6918</p>
DRAWN BY	JAB	9/24/2018	
ENG APPROVAL			DESCRIPTION U-PANEL S & BARCO XT, LED MOUNT, 4-HIGH
MFG APPROVAL			MODEL NO. TIL1X4UU
QA APPROVAL			SCALE 1:8
SHEET 2 OF 3		SIZE B	DWG. NO. TECH-000949
			REV. 01



DETAIL B
SCALE 1 : 1

THE INFORMATION AND DESIGNS CONTAINED IN THIS DRAWING ARE CONFIDENTIAL AND THE PROPRIETARY PROPERTY OF MILESTONE AV TECHNOLOGIES NEITHER THIS DESIGN NOR ANY INFORMATION CONTAINED IN THIS DRAWING MAY BE REPRODUCED OR DISCLOSED TO OTHERS WITHOUT THE EXPRESS WRITTEN CONSENT OF MILESTONE AV TECHNOLOGIES.

CAD GENERATED DRAWING, DO NOT MANUALLY UPDATE.			6436 CITY WEST PKWY EDEN PRAIRIE MN, 55344 PHONE: 866-977-3901 FAX: 877-894-6918
DRAWN BY	JAB	9/24/2018	
ENG APPROVAL			DESCRIPTION
MFG APPROVAL			U-PANEL S & BARCO XT, LED MOUNT, 4-HIGH
QA APPROVAL			MODEL NO.
SHEET 3 OF 3			TIL1X4UU
SCALE	1:8	SIZE	DWG. NO.
		B	TECH-000949
			REV.
			01