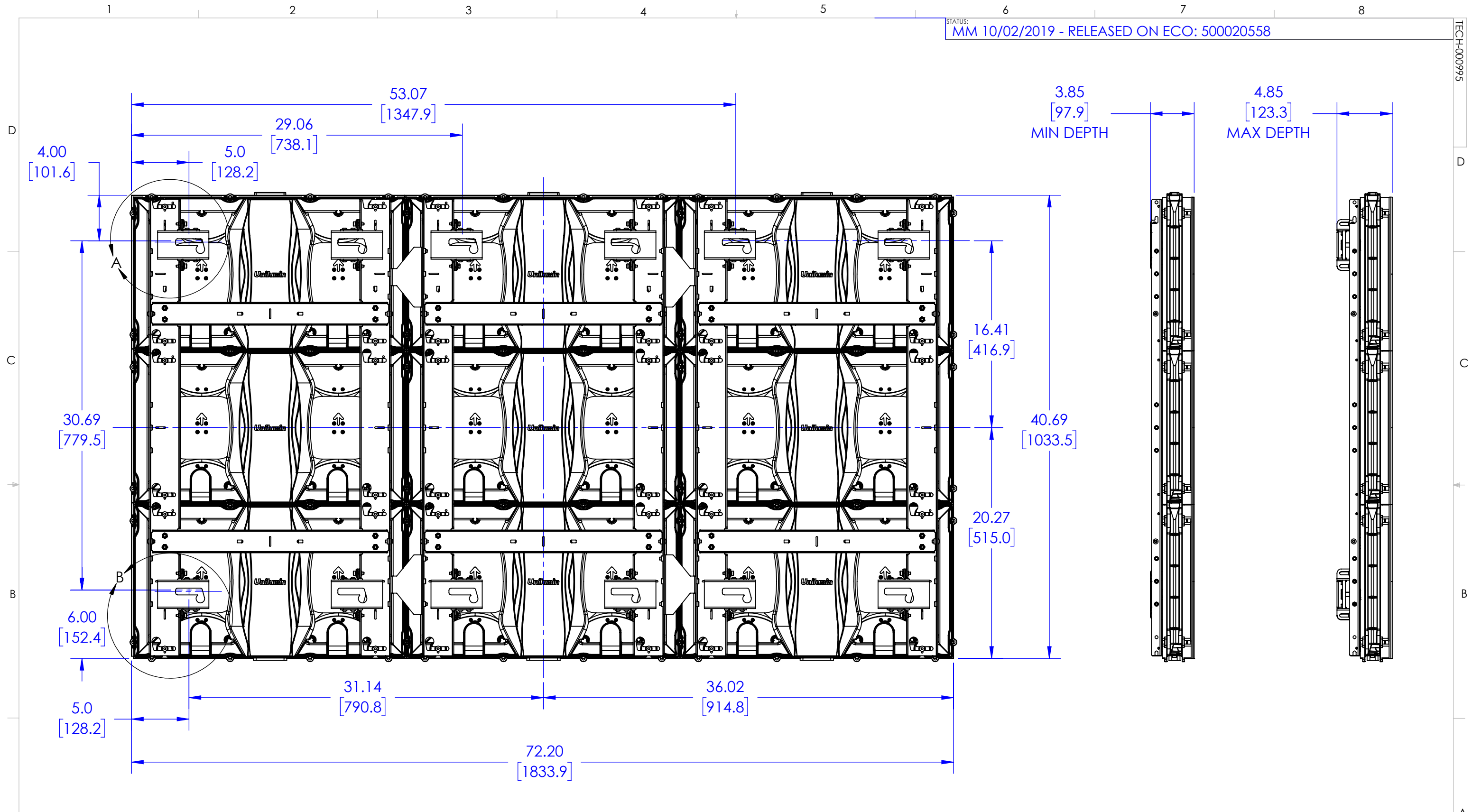


ASSEMBLY CONSISTS OF  
3-TIL1X3UU

THE INFORMATION AND DESIGNS CONTAINED IN THIS DRAWING ARE CONFIDENTIAL AND THE PROPRIETARY PROPERTY OF MILESTONE AV TECHNOLOGIES NEITHER THIS DESIGN NOR ANY INFORMATION CONTAINED IN THIS DRAWING MAY BE REPRODUCED OR DISCLOSED TO OTHERS WITHOUT THE EXPRESS WRITTEN CONSENT OF MILESTONE AV TECHNOLOGIES.

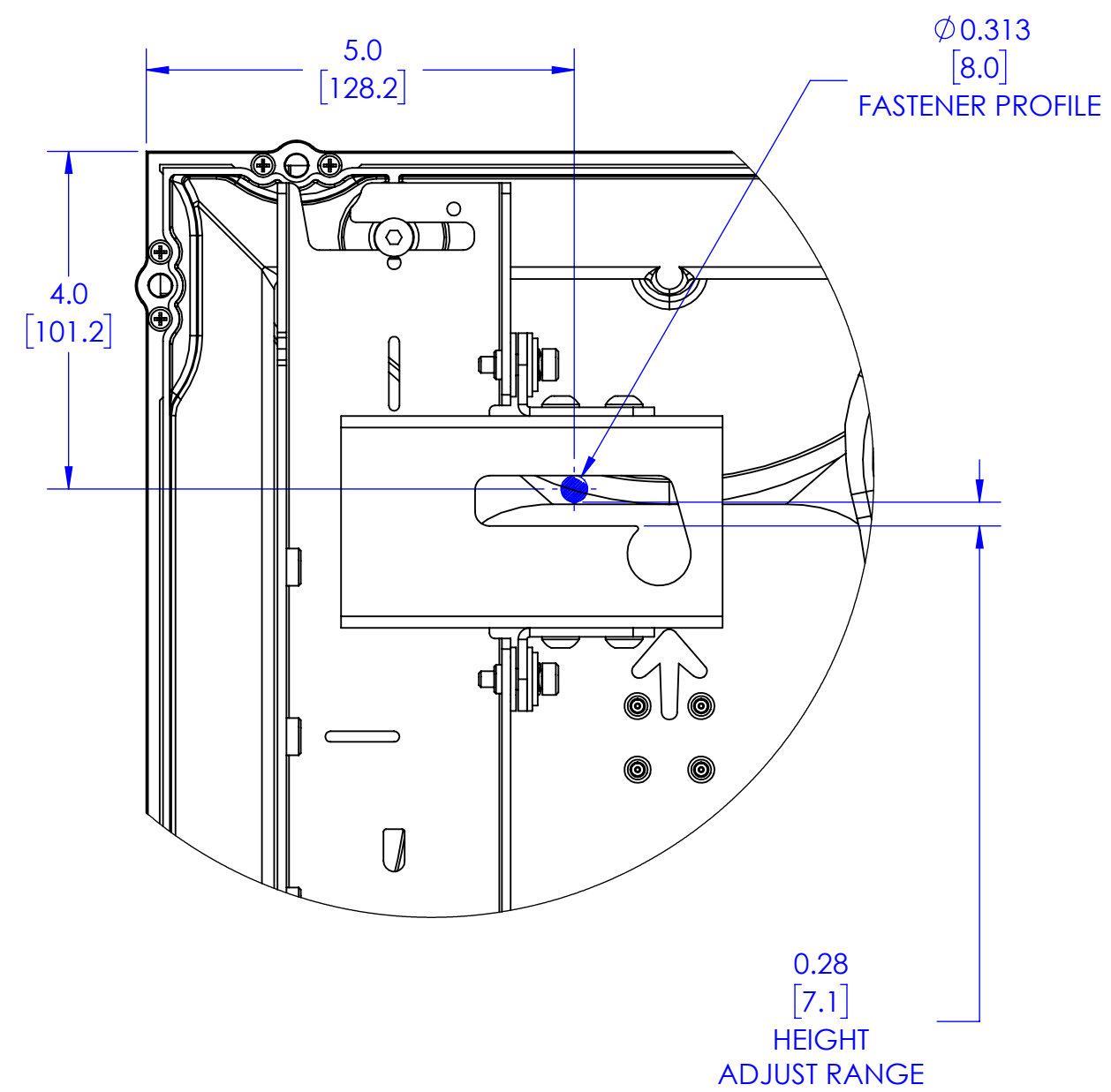
CAD GENERATED DRAWING, DO NOT MANUALLY UPDATE.			6436 CITY WEST PKWY EDEN PRAIRIE MN, 55344 PHONE: 866-977-3901 FAX: 877-894-6918	
DRAWN BY	JAB	5/1/2019		
ENG APPROVAL			DESCRIPTION 3 X 3 - TIL1X3UU TECH DRAWING	
MFG APPROVAL			MODEL NO. TIL1X3UU	
QA APPROVAL			SIZE B	DWG. NO. TECH-000995
SHEET 1 OF 3			SCALE 1:8	REV. 01



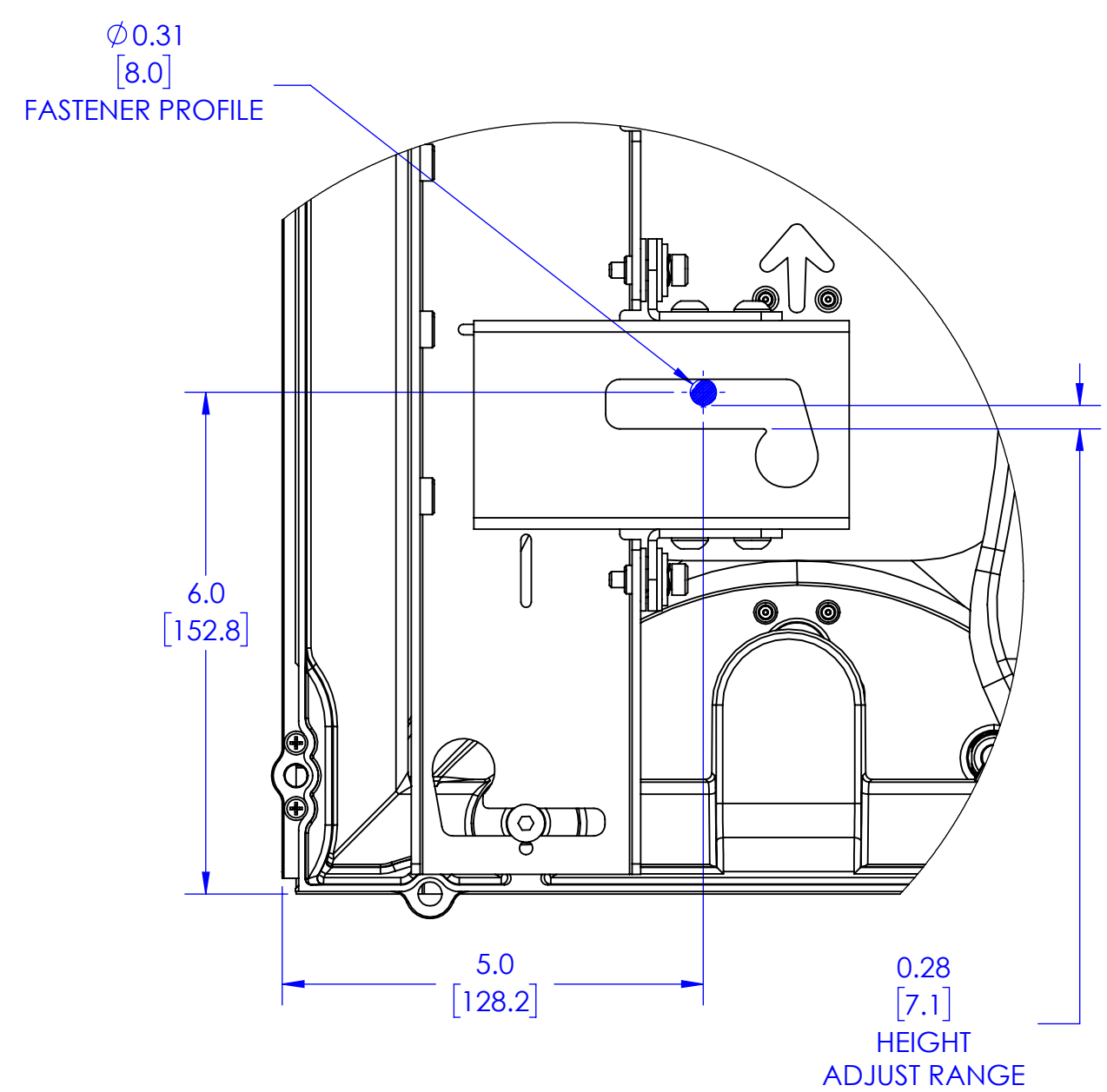
\*DETAIL VIEWS ON SHEET 3\*

THE INFORMATION AND DESIGNS CONTAINED IN THIS DRAWING ARE CONFIDENTIAL AND THE PROPRIETARY PROPERTY OF MILESTONE AV TECHNOLOGIES NEITHER THIS DESIGN NOR ANY INFORMATION CONTAINED IN THIS DRAWING MAY BE REPRODUCED OR DISCLOSED TO OTHERS WITHOUT THE EXPRESS WRITTEN CONSENT OF MILESTONE AV TECHNOLOGIES.

CAD GENERATED DRAWING, DO NOT MANUALLY UPDATE.			6436 CITY WEST PKWY EDEN PRAIRIE MN, 55344 PHONE: 866-977-3901 FAX: 877-894-6918	
DRAWN BY	JAB	5/1/2019		
ENG APPROVAL			DESCRIPTION 3 X 3 - TIL1X3UU TECH DRAWING	
MFG APPROVAL			MODEL NO. TIL1X3UU	
QA APPROVAL			SCALE 1:8	REV. 01
SHEET 2 OF 3			SIZE B	DWG. NO. TECH-000995



DETAIL A  
SCALE 1 : 2



DETAIL B  
SCALE 1 : 2

**THE INFORMATION AND DESIGNS CONTAINED IN THIS DRAWING ARE CONFIDENTIAL AND THE PROPRIETARY PROPERTY OF MILESTONE AV TECHNOLOGIES NEITHER THIS DESIGN NOR ANY INFORMATION CONTAINED IN THIS DRAWING MAY BE REPRODUCED OR DISCLOSED TO OTHERS WITHOUT THE EXPRESS WRITTEN CONSENT OF MILESTONE AV TECHNOLOGIES.**

CAD GENERATED DRAWING, DO NOT MANUALLY UPDATE.				6436 CITY WEST PKWY EDEN PRAIRIE MN, 55344 PHONE: 866-977-3901 FAX: 877-894-6918	
DRAWN BY	JAB	5/1/2019		DESCRIPTION 3 X 3 - TIL1X3UU TECH DRAWING	
ENG APPROVAL			MODEL NO.		
MFG APPROVAL					
QA APPROVAL					
SHEET 3 OF 3		SCALE 1:8	SIZE B	DWG. NO. TECH-000995	REV. 01