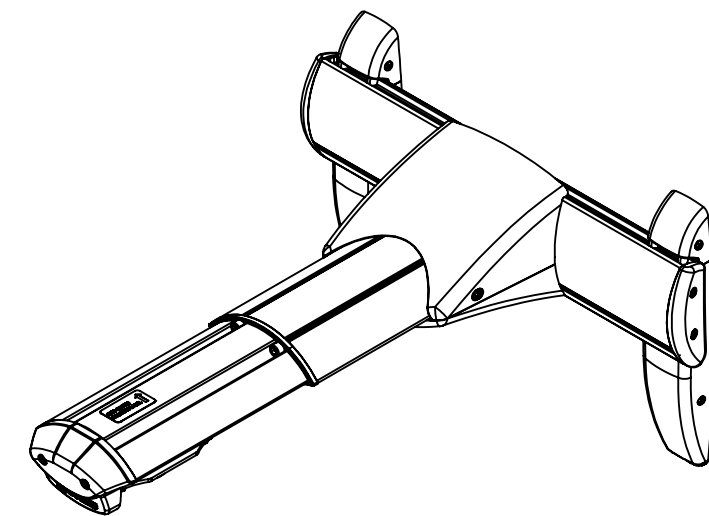


SECTION A-A
SCALE 1 : 2
CABLE CHANNEL
DIMENSIONS THRU ARM



MAXIMUM WEIGHT CAPACITY			
STEEL STUD	WOOD STUD	SOLID CONCRETE	CONCRETE BLOCK
75 Lb (34 Kg)	150 Lb (68 Kg)		

THE INFORMATION AND DESIGNS CONTAINED IN THIS DRAWING ARE CONFIDENTIAL AND THE PROPRIETARY PROPERTY OF MILESTONE AV TECHNOLOGIES NEITHER THIS DESIGN NOR ANY INFORMATION CONTAINED IN THIS DRAWING MAY BE REPRODUCED OR DISCLOSED TO OTHERS WITHOUT THE EXPRESS WRITTEN CONSENT OF MILESTONE AV TECHNOLOGIES.

CAD GENERATED DRAWING, DO NOT MANUALLY UPDATE.			CHIEF 6436 CITY WEST PKWY EDEN PRAIRIE MN, 55344 PHONE: 866-977-3901 FAX: 877-894-6918
DRAWN BY	MM	3/12/2015	
ENG APPROVAL			DESCRIPTION Heavy Duty Wall Mount Accessory, Dual Stud
MFG APPROVAL			MODEL NO. WMA2S
QA APPROVAL			SIZE DWG. NO. B TECH-000675
SHEET 1 OF 1			SCALE 1:7
			REV. 00

