

# TENSIONED DESCENDER LARGE ELECTROL

Motorized projection screen for ceiling recessed installations

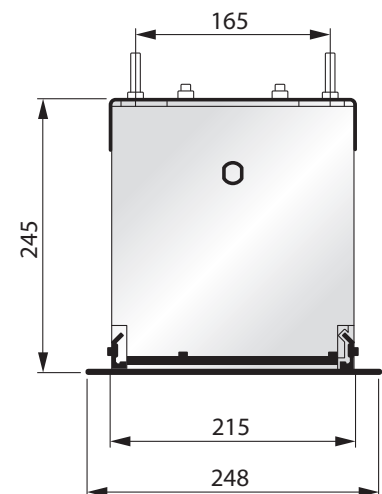
**DA-LITE**  
A brand of **Legrand**



## Product specifications:

- Ceiling recessed electrically operated projection screen 230 volt (50Hz) with a usage of no more than 0.69 Ampere (158.7 Watt).
- The motor is mounted inside the roller, 65 cm long, 4 wire, 12 rotations per minute, maintenance free, integrated brake and thermal overload cut-out.
- The end positions are pre-set.
- The 4 wire connection is integrated into the end cap and can be connected to the electric installation with the connector and standard cable.
- On top of the casing there are six fixed mounting positions on either side for easy positioning during installation.
- The casing is galvanised on the inside and on the outside powder coated with a matte structure coating (RAL 9016).
- The roller with the projection surface is supplied fully mounted but can be removed on location for the projection of the projection surface.
- After mounting the projection screen is reachable through the bottom of the casing. The screen fabrics are flame retardant and seamless in the viewing area.
- Each side of the surface to have tab guide cable system to maintain even lateral tension and hold surface flat.
- Custom slat bar with added weight maintains vertical tension on the screen surface.
- The ends of the slat to be protected by heavy duty plastic caps enclosing a preset adjustable mechanism for screen tensioning.
- The front projection fabrics have a black backing.
- Standard 3 position wall switch is supplied.
- The projection screen is CE marked and satisfies the strictest quality and safety requirements.

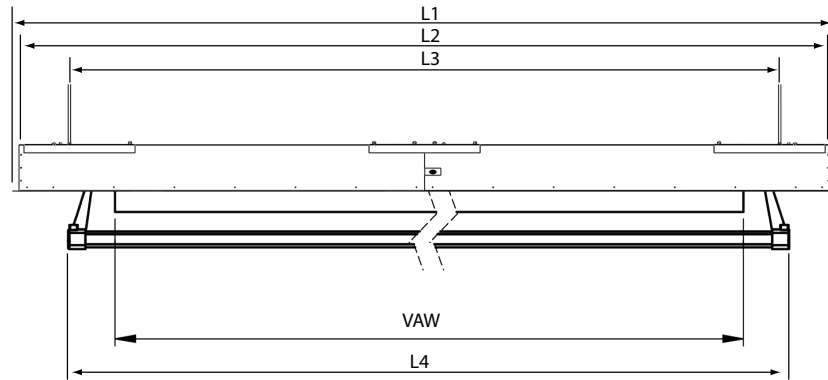
## Aspect Ratios:




## Available dimensions

Minimum width: 350 cm  
Maximum width: 450 cm

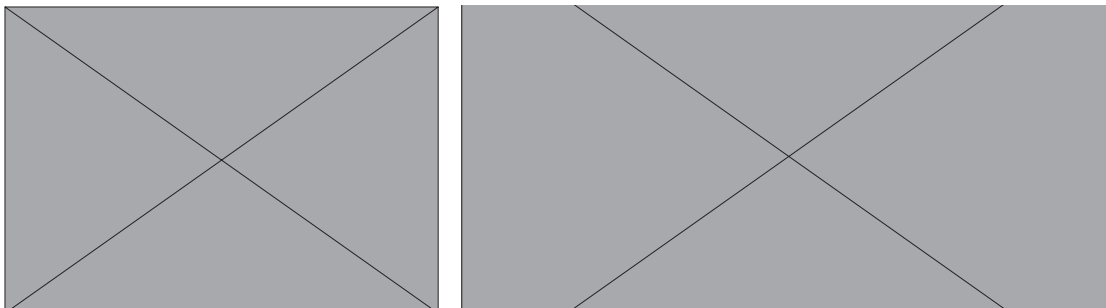
# TENSIONED DESCENDER LARGE ELECTROL



		Viewing Area	Dimensions				Black drop	Net weight
		cm	L1 mm	L2 mm	L3* mm	L4 mm	cm	kg
<b>16:10</b>	223 x 350	213 x 340	4315	4250	3750	3680	30	85
	254 x 400	244 x 390	4851	4786	4286	4112	30	95
	285 x 450	275 x 440	5391	5326	4826	4636	30	105
<b>16:9</b>	201 x 350	191 x 340	4315	4250	3750	3660	30	84
	229 x 400	219 x 390	4851	4786	4286	4098	30	94
	258 x 450	248 x 440	5391	5326	4826	4616	30	104
<b>4:3</b>	265 x 350	255 x 340	4315	4250	3750	3724	30	88
	300 x 400	290 x 390	4851	4786	4286	4282	30	98
	340 x 450	330 x 440	5391	5326	4826	4686	30	108

## \*L3 - Flexible mounting positions

L3 is the preferred position.



## Accessories - control options

For projection screens with a standard motor / delivered as standard with a wall switch

For projection screens with a standard motor / delivered as standard with a wall switch

- All-in-One Control Box, which contains:
  - > Relay (dry contact)
  - > RF control, including remote control
  - > IR control, including remote control
  - > Manual switch
  - > 12v DC trigger
- Power Sensing Trigger (need All-in-One Box to function)
- Easy Install plug & play relaybox with potential free contacts
  - > Easy Install plug & play RS232/RS422 control kit
  - > Easy Install plug & play RS232/RS422 with IP control kit
- Keypad

## Accessories - installation

- Ceiling brackets
- Set extension brackets

# TENSIONED DESCENDER LARGE ELECTROL

## Available standard resolution projection surfaces

All screen surfaces are seamless in the viewing area.

### Matte White

Gain: 1.0  
Viewing Angle: 120°  
Base material: Vinyl  
Fire retardancy: B2  
Black backing: Yes  
Opacity rating: > 99 %  
Seamless: Yes  
GreenGuard certification: Yes

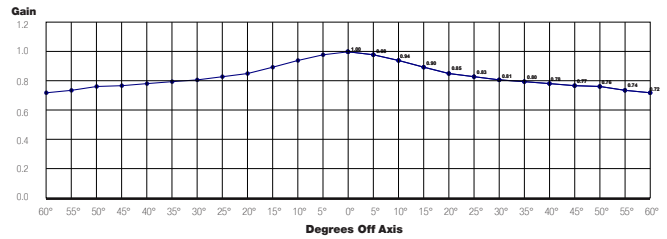


Standard: UL 2818 - 2013 Standard for Chemical Emissions for Building Materials, Finishes and Furnishings

Certification number

Greenguard - 5100-410

Greenguard Gold - 5100-420



## Certifications

- Products are manufactured in an ISO14001 certified facility
- Projecta is an ISO 9001 certified company
- REACH - Registration, Evaluation, Authorisation and Restriction of Chemical substances.
- RoHS - Restriction of Hazardous Substances.
- WEEE - Waste Electronic and Electrical Equipment Regulations.



## Customisation

Give exact the sizes of the projection screen you need:

Viewing size: \_\_\_\_\_ Height (cm.) x \_\_\_\_\_ width (cm.)

Surface: \_\_\_\_\_ Border top: \_\_\_\_\_ (cm.) Border bottom: \_\_\_\_\_ (cm.)

RAL color case and plastic parts: RAL \_\_\_\_\_

Motor positioned on right side

Screen fabric mounted reversely

Remarks: \_\_\_\_\_

# TENSIONED DESCENDER LARGE ELECTROL

## Available High Resolution projection surfaces

All screen surfaces are seamless in the viewing area.



### HD Progressive 0.6

Gain: 0.6  
Viewing Angle: 170°  
Base material: Vinyl  
Fire retardancy: B2  
Black backing: Yes  
Opacity rating: > 99 %  
Seamless: Yes  
GreenGuard certification: Yes

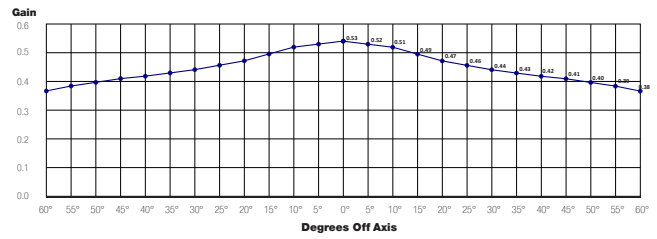


**Standard:** UL 2818 - 2013 Standard for Chemical Emissions for Building Materials, Finishes and Furnishings

**Certification number**

Greenguard - 11065-410

Greenguard Gold - 11065-420



### HD Progressive 0.9

Gain: 0.9  
Viewing Angle: 170°  
Base material: Vinyl  
Fire retardancy: B2  
Black backing: Yes  
Opacity rating: > 99 %  
Seamless: Yes  
GreenGuard certification: Yes

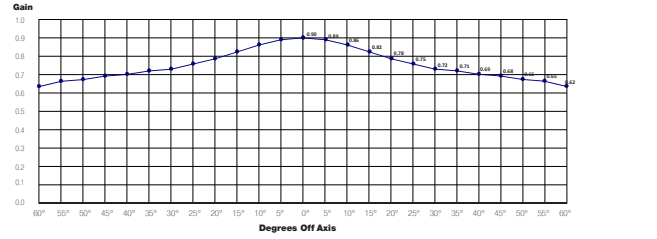


**Standard:** UL 2818 - 2013 Standard for Chemical Emissions for Building Materials, Finishes and Furnishings

**Certification number**

Greenguard - 11066-410

Greenguard Gold - 11066-420



### HD Progressive 1.1

Gain: 1.1  
Viewing Angle: 170°  
Base material: Vinyl  
Fire retardancy: B2  
Black backing: Yes  
Opacity rating: > 99 %  
Seamless: Yes  
GreenGuard certification: Yes

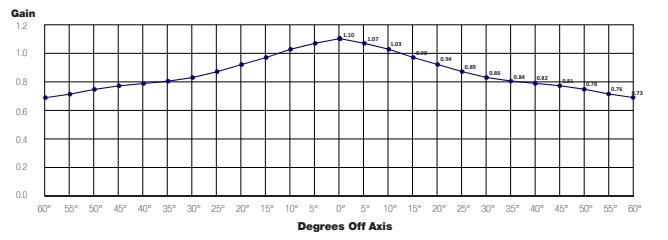


**Standard:** UL 2818 - 2013 Standard for Chemical Emissions for Building Materials, Finishes and Furnishings

**Certification number**

Greenguard - 11067-410

Greenguard Gold - 11067-420



### HD Progressive 1.3

Gain: 1.3  
Viewing Angle: 150°  
Base material: Vinyl  
Fire retardancy: B2  
Black backing: Yes  
Opacity rating: > 99 %  
Seamless: Yes  
GreenGuard certification: Yes

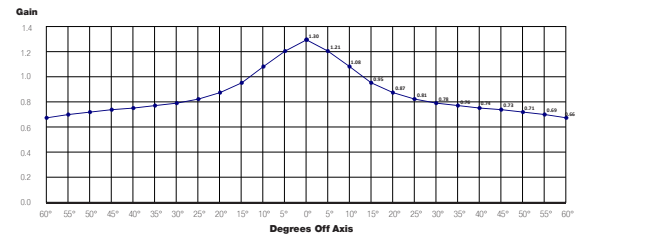


**Standard:** UL 2818 - 2013 Standard for Chemical Emissions for Building Materials, Finishes and Furnishings

**Certification number**

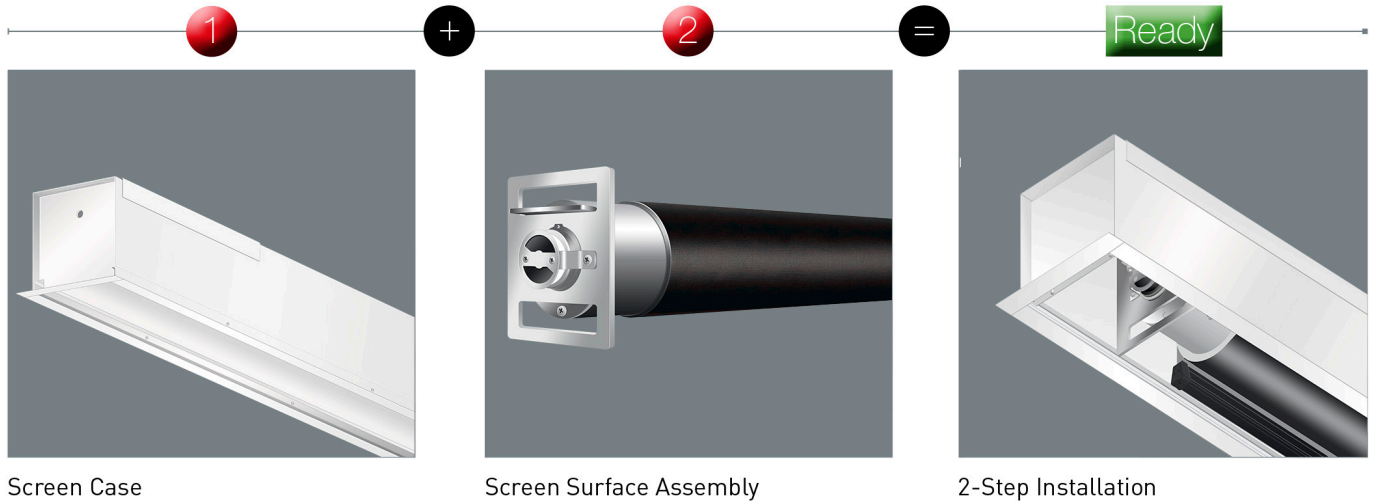
Greenguard - 42729-410

Greenguard Gold - 42729-420

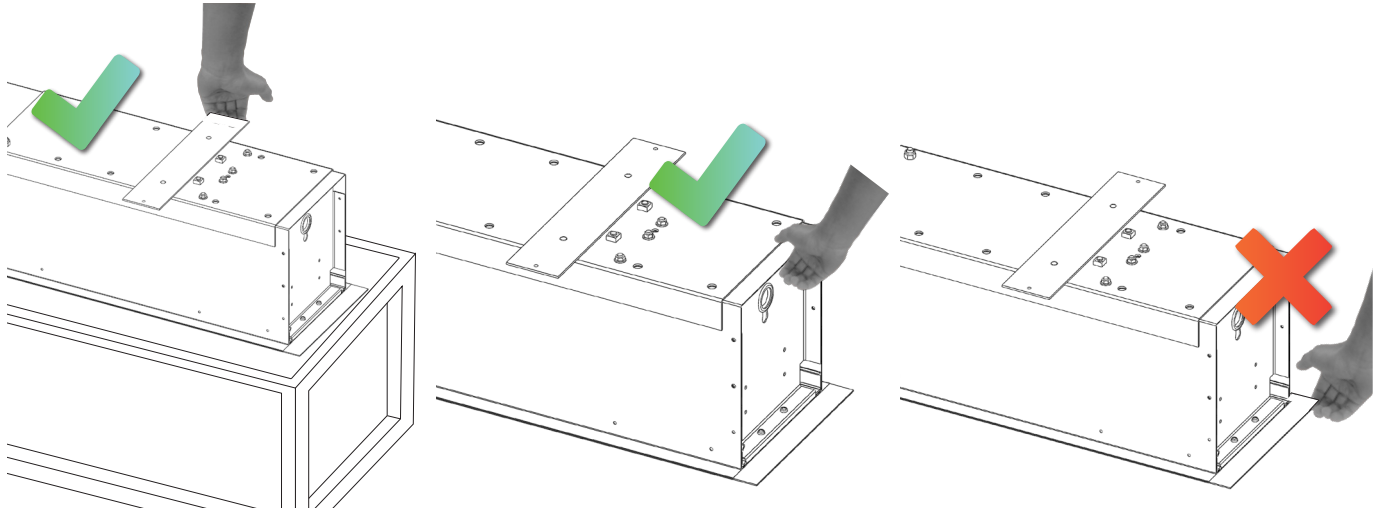


# TENSIONED DESCENDER LARGE ELECTROL

## Descender Large - 2-step installation

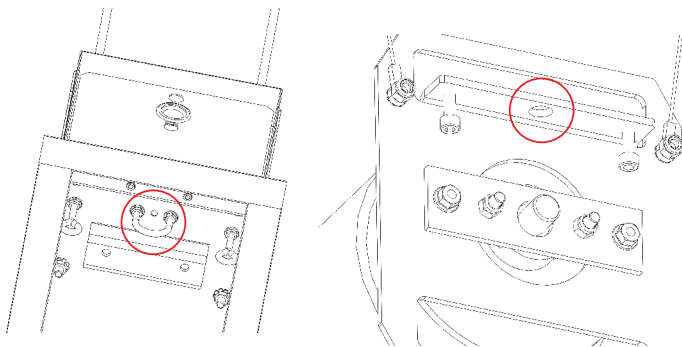


## Descender Large - unpacking



## Descender Large - hoist option

It is an option to hoist the screen surface assembly into the casing with the indicated hook and opening using a winch.



## Warranty

Da-Lite provides a limited 5 year warranty on the Elpro Concept range and a limited 2 year warranty on all other products. The warranty on the motor of electrical screens is 5 year. All warranties are in effect beginning the date the product was invoiced by Da-Lite.