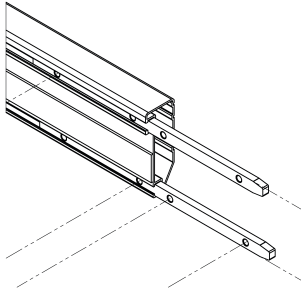
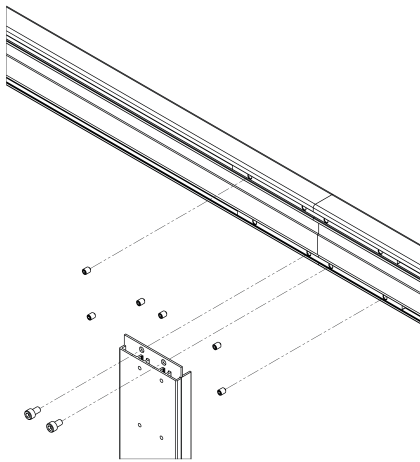


8.1 Screens wider than 400 cm have a top and bottom frame in two frame pieces. Connect the 2 frame pieces with the supplied connection bracket and secure this with the inserted hex screws.



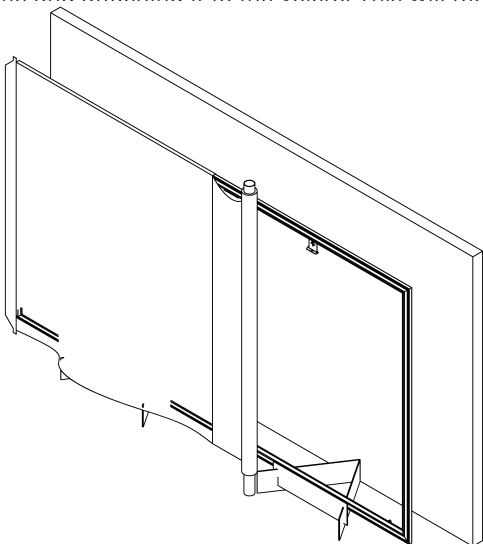
8.2 Screens wider than 400 cm require a spreader bar. Connect the top and bottom frame with the spreader bar and connect this by using the two supplied screws (D).



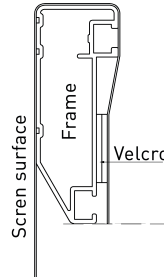
9. Carefully unpack the screen surface and put on the supplied gloves (K) before handling the surface.

NOTE: Do NOT handle the projection surface without gloves!

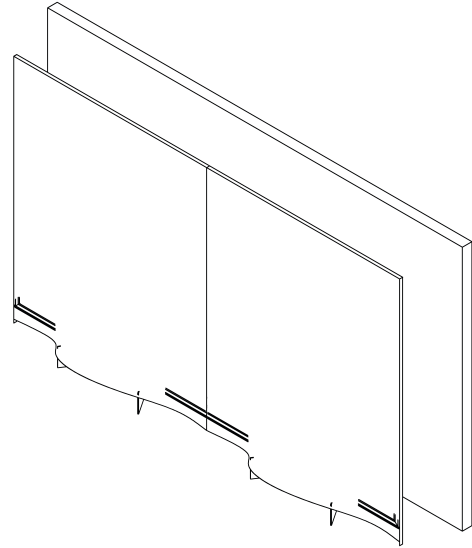
Position the roller with the projection surface upright in front of the frame. Then from left to right, unroll the projection surface while folding the surface around the frame and attaching it to the velcro. This will require 2



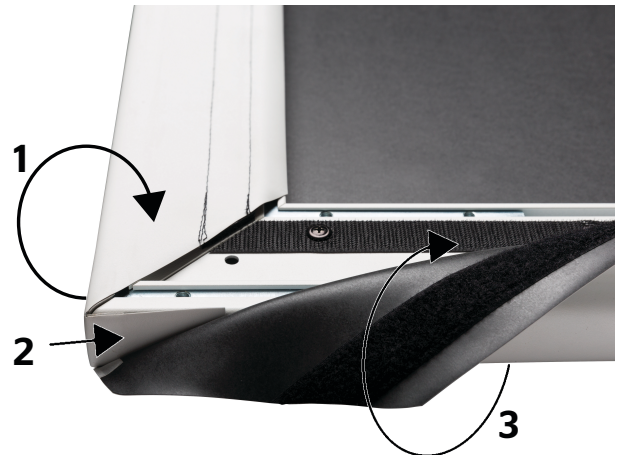
10. First tension the surface so the end of the surface alligns with the frame end. After the entire screen is attached, you can adjust tensioning where necessary.



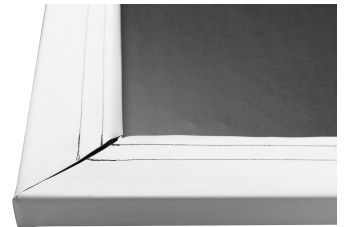
11. When the fabric is attached on top, attach the fabric on the sides. Then rotate the frame and attach the remaining surface at the top.



12. Fold the surface carefully around the corners. First do one side, then fold over the small rectangular piece of fabric and then fold over the remaining side.

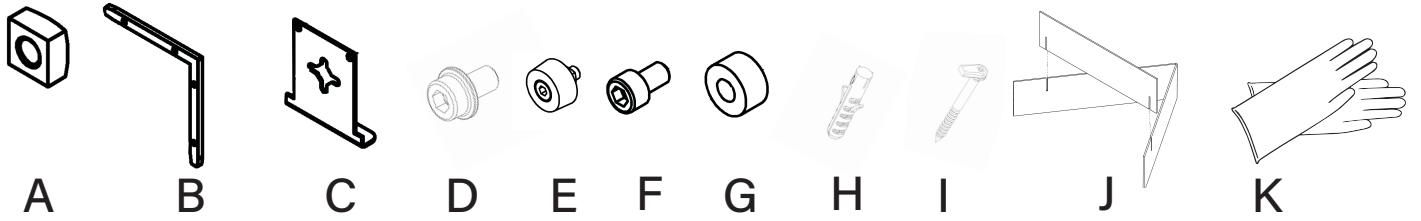


13. Hang the FullVision brackets over the screws to position it on the wall.

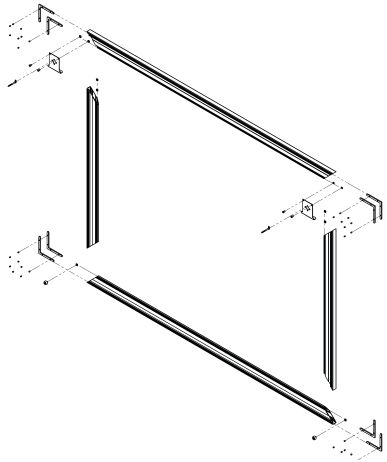


INSTRUCTIONS FOR
FullVision

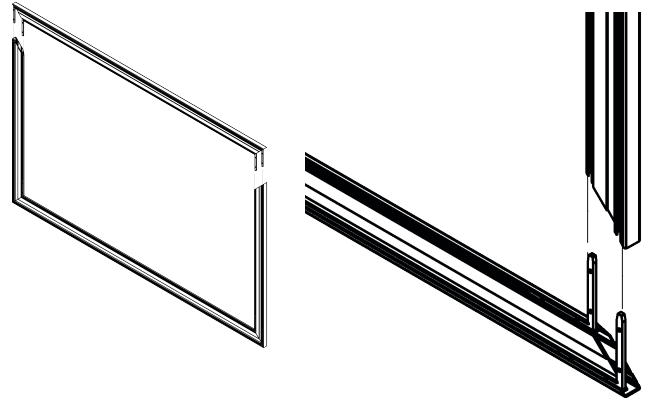
Included Hardware



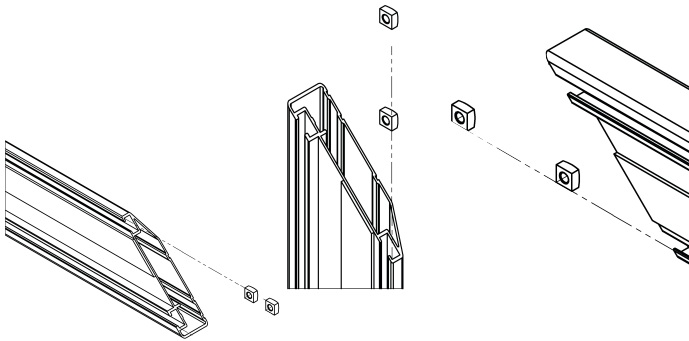
Installation - Frame Assembly



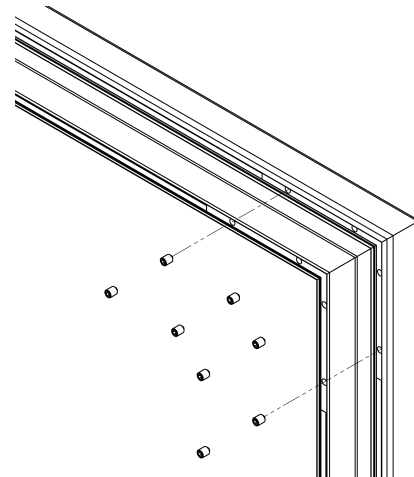
3. Slide the frame sections together at the corners.



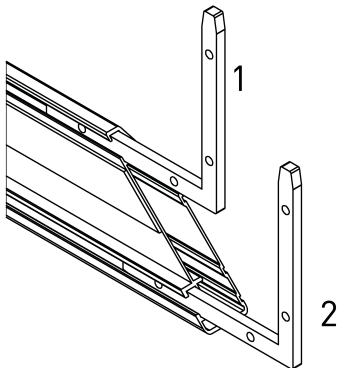
1. Unwrap the frame pieces. Before assembling the frame pieces, add 2 nuts (A) to either end of the top frame section and the top of the side frame for the mounting bracket and add 2 nuts to the bottom frame.



4. Secure the frame pieces by tightening the hex nut screws which are already inserted in the frame.



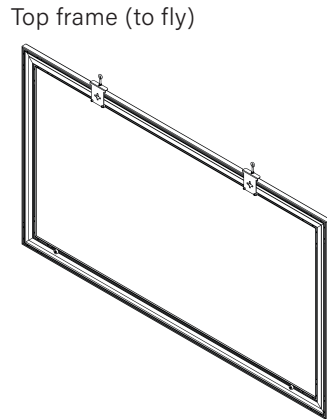
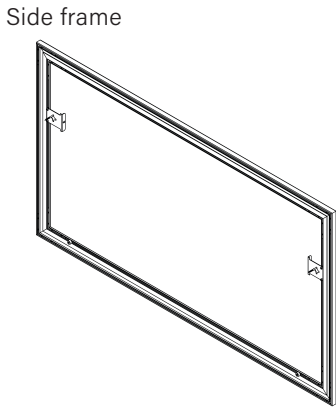
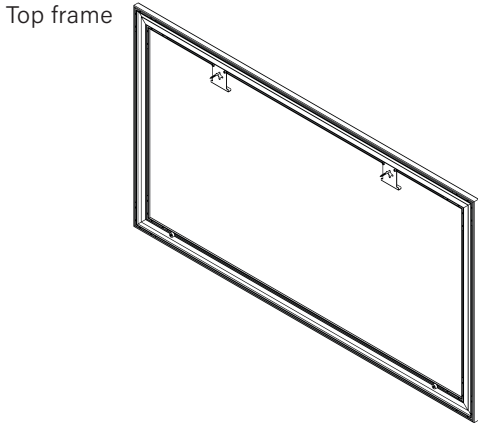
2. Add 2 frame connectors (B) to each corner.



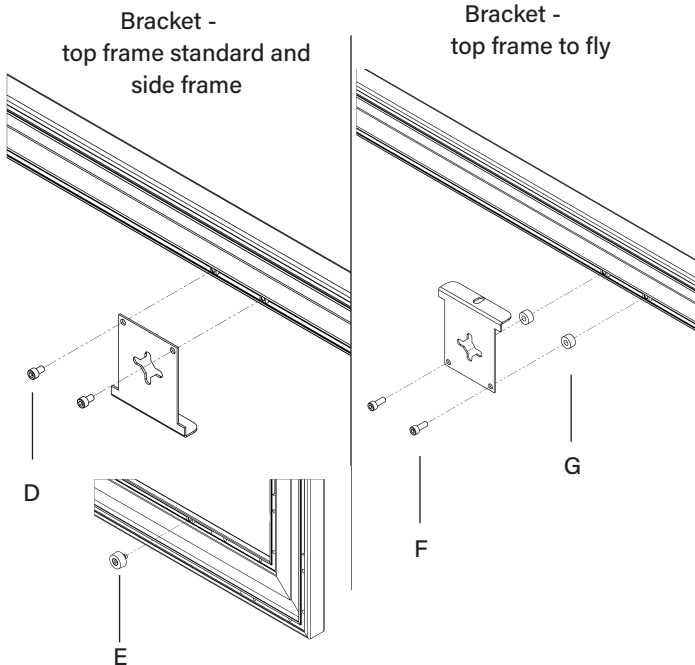
Installation - mounting the screen

Decide on the preferred installation method. You can position the mounting bracket of the FullVision on the top frame, side frame, or above the top frame to fly the screen.

NOTE: For screens wider than 400 cm positioning the brackets on the side frame sections is not an option.

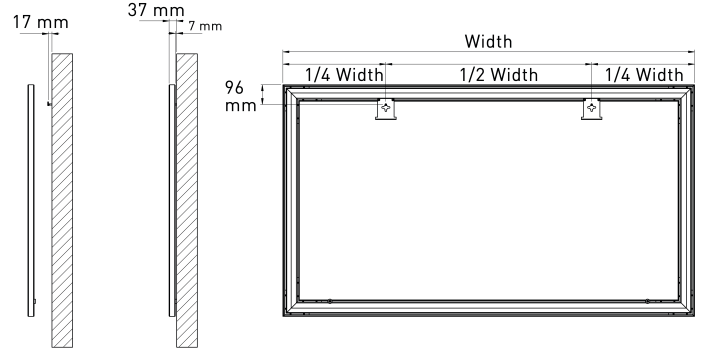


5. Secure the mounting bracket (C) with provided screws to the previously inserted nuts.

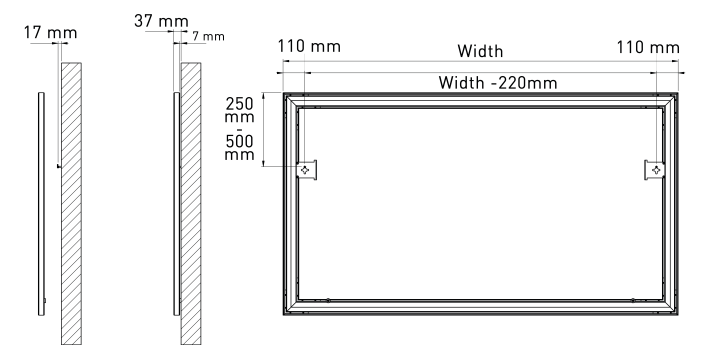


6. Measure where to position the brackets. Drill holes and position the supplied screws (H and I). Install the frame as a test first.

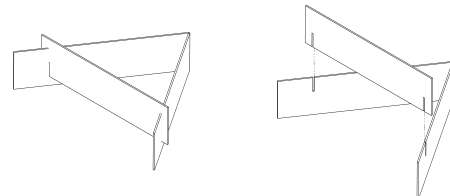
Top bracket method



Side bracket method



7. Assemble the frame installation tool (J)



8. Position the frame on the frame installation tool and lean against the wall.

