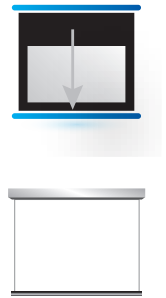


MASTER ELECTROL

Motorized projection screen for wall or ceiling installations

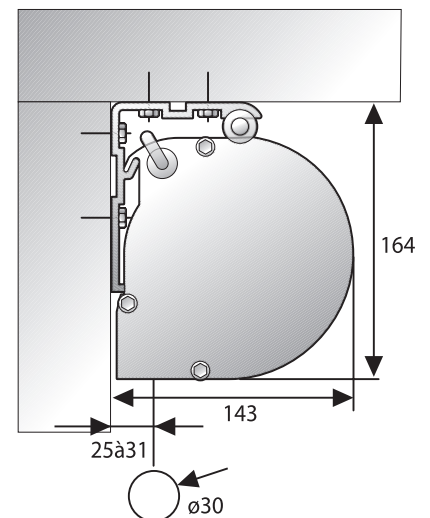
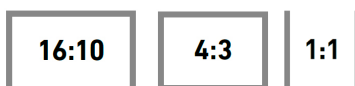
PROJECTA
REFLECTING YOUR VISION



Product specifications:

- Electrically operated projection screen 230 volt (50Hz) with a usage of no more than 0.61 Ampere (140.3 Watt).
- The motor is mounted inside the roller, 4 wire, 17 rotations per minute, maintenance free, integrated brake and thermal overload cut-out.
- The end positions are pre-set.
- The 4 wire connection is pre-installed and goes through the anodised rounded aluminium casing and can easily be connected to an electric installation.
- Suitable for wall and ceiling mounting with the supplied flexible mounting brackets.
- The round slat bar closes off the bottom of the casing.
- The screen fabrics are flame retardant.
- Seamless fabric up to a height of 190 cm. The seam in the rear projection screen surface may be slightly visible under projection.
- Standard a 3 position wall switch is supplied.
- The projection screen is tested and monitored by the TÜV/GS programme (EN 60335-1 and EN 60335-2-97) and CE marked and satisfies the strictest quality and safety requirements.

Aspect Ratios:

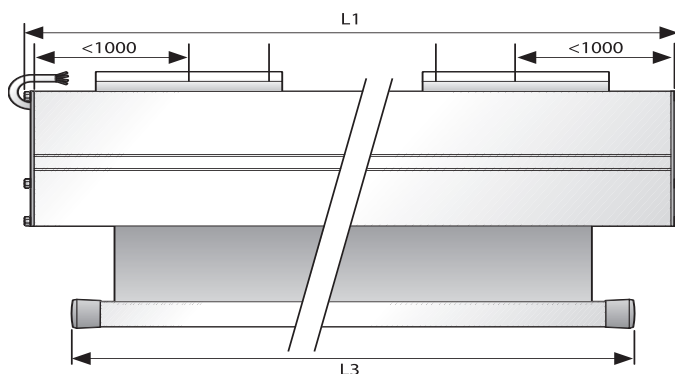


Available dimensions

Minimum width: 400 cm
Maximum width: 500 cm

PROJECTA A BRAND OF MILESTONE AV TECHNOLOGIES BV || www.milestone.com

P +31.(0)495.580.840 || F +31.(0)495.580.845 || emea.sales@milestone.com



		Viewing Area	Dimensions		Border	Net weight
		cm	L1 mm	L3 mm	cm	kg
16:10	250 x 400	250 x 400	4160	4080	0	55
	313 x 500	313 x 500	5160	5080	0	67
4:3	300 x 400	300 x 400	4160	4080	0	55
	375 x 500	375 x 500	5160	5080	0	67
1:1	400 x 400	400 x 400	4160	4080	0	58
	350 x 400	350 x 400	4160	4080	0	57
	300 x 500	300 x 500	5160	5080	0	65
	400 x 500	400 x 500	5160	5080	0	68

Available standard resolution projection surfaces

Matte White

Gain: 1.0
 Viewing Angle: 100°
 Base material: Vinyl
 Fire retardancy: B1 (DIN 4102-1; test report 16301)
 M1 (NR P 92-512:1986; test report P107396 – DE/1)
 Black backing: No
 Seamless: No
 GreenGuard certification: No

Retrotex (rear projection)

Gain: 0.5
 Viewing Angle: 60°
 Base material: Vinyl
 Fire retardancy: M1 (test report 14896-09)
 Seamless: No
 GreenGuard certification: No

Certifications

- Products are manufactured in an ISO14001 certified facility
- Projecta is an ISO 9001 certified company
- REACH - Registration, Evaluation, Authorisation and Restriction of Chemical substances.
- RoHS - Restriction of Hazardous Substances.
- WEEE - Waste Electronic and Electrical Equipment Regulations.



Customisation

Give exact the sizes of the projection screen you need:

Viewing size: _____ Height (cm.) x _____ width (cm.)

Surface: _____

RAL color case and plastic parts: RAL _____

Motor positioned on right side

Screen fabric mounted reversely

Remarks: _____

Accessories - control options

For projection screens with a standard motor / delivered as standard with a wall switch

Easy Install RF remote control (868,3 Mhz)

Easy Install wireless projectorcoupling (868,3 Mhz)

Easy Install wireless RF wall switch (868,3 Mhz)

Easy Install RF remote control with projectorcoupling (868,3 Mhz)

Easy Install projectorcoupling with cable

Easy Install IR remote control

Easy Install plug & play relaybox with potential free contacts

Easy Install plug & play RS232/RS422 control kit

Easy Install plug & play RS232/RS422 with IP control kit

Keyswitch

Accessories - installation

Ceiling brackets

Set extension brackets

Warranty

Projecta provides a limited 5 year warranty on the Elpro Concept range and a limited 2 year warranty on all other products. The warranty on the motor of electrical screens is 5 year. All warranties are in effect beginning the date the product was invoiced by Projecta.