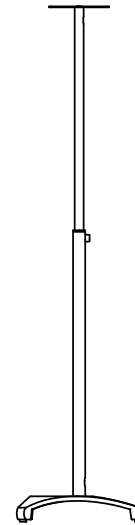
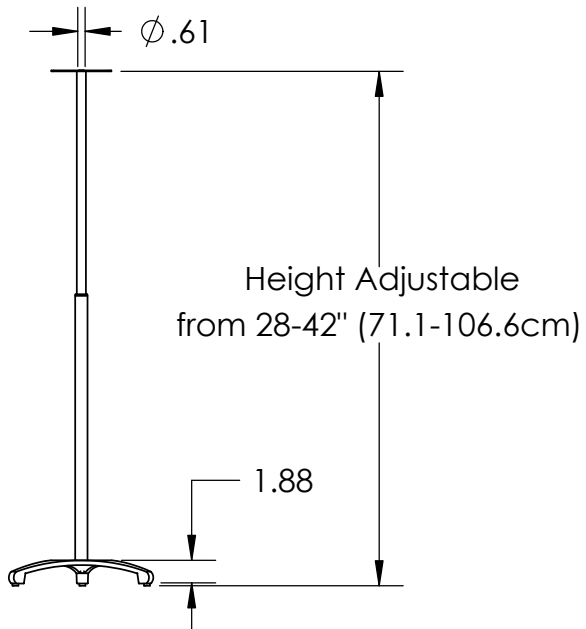
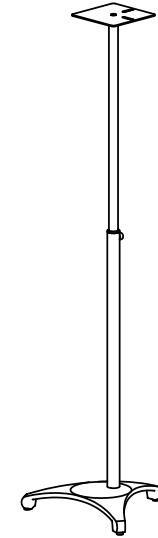


Maximum Speaker
Capacity: 10 lbs (3.73kg)



	NAME	DATE	SANUS SYSTEMS TITLE: <h1>EFSatb</h1>
DRAWN	NAS	9/27/05	
CHECKED			
ENG APPR.			
MFG APPR.			
	Q.A.		
PROPRIETARY AND CONFIDENTIAL THE INFORMATION CONTAINED IN THIS DRAWING IS THE SOLE PROPERTY OF SANUS SYSTEMS. ANY REPRODUCTION IN PART OR AS A WHOLE WITHOUT THE WRITTEN PERMISSION OF SANUS SYSTEMS IS PROHIBITED.			Euro Foundations
			SCALE: 1:16
			SHEET 1 OF 1