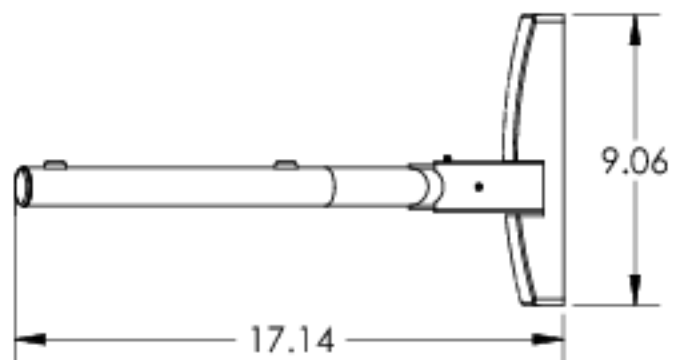
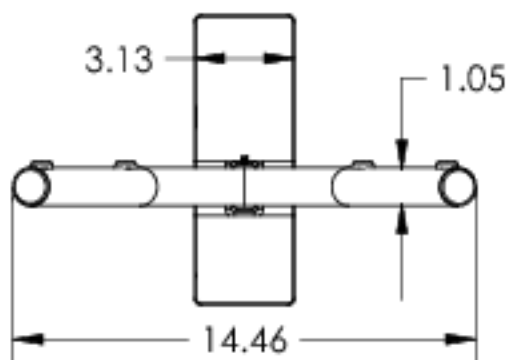
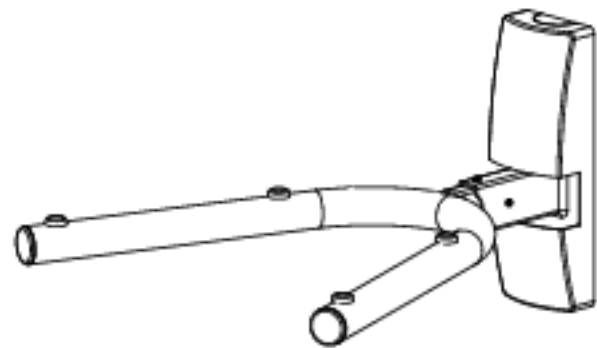


Maximum Weight Capacity: 45lbs.



	NAME	DATE	SANUS SYSTEMS	
DRAWN	NAS	10/25/05	TITLE: VMAY	
CHECKED				
ENG. APPR.				
MFG APPR.				
Q.A.				
<p>PROPRIETARY AND CONFIDENTIAL THE INFORMATION CONTAINED IN THIS DRAWING IS THE SOLE PROPERTY OF SANUS SYSTEMS. ANY REPRODUCTION IN PART OR AS A WHOLE WITHOUT THE WRITTEN PERMISSION OF SANUS SYSTEMS IS PROHIBITED.</p>			<p>Vision Mount</p>	
			SCALE: 1:6	SHEET 1 OF 1