

# Heavy Duty Fast-Fold Deluxe Repair Kit

Parts List

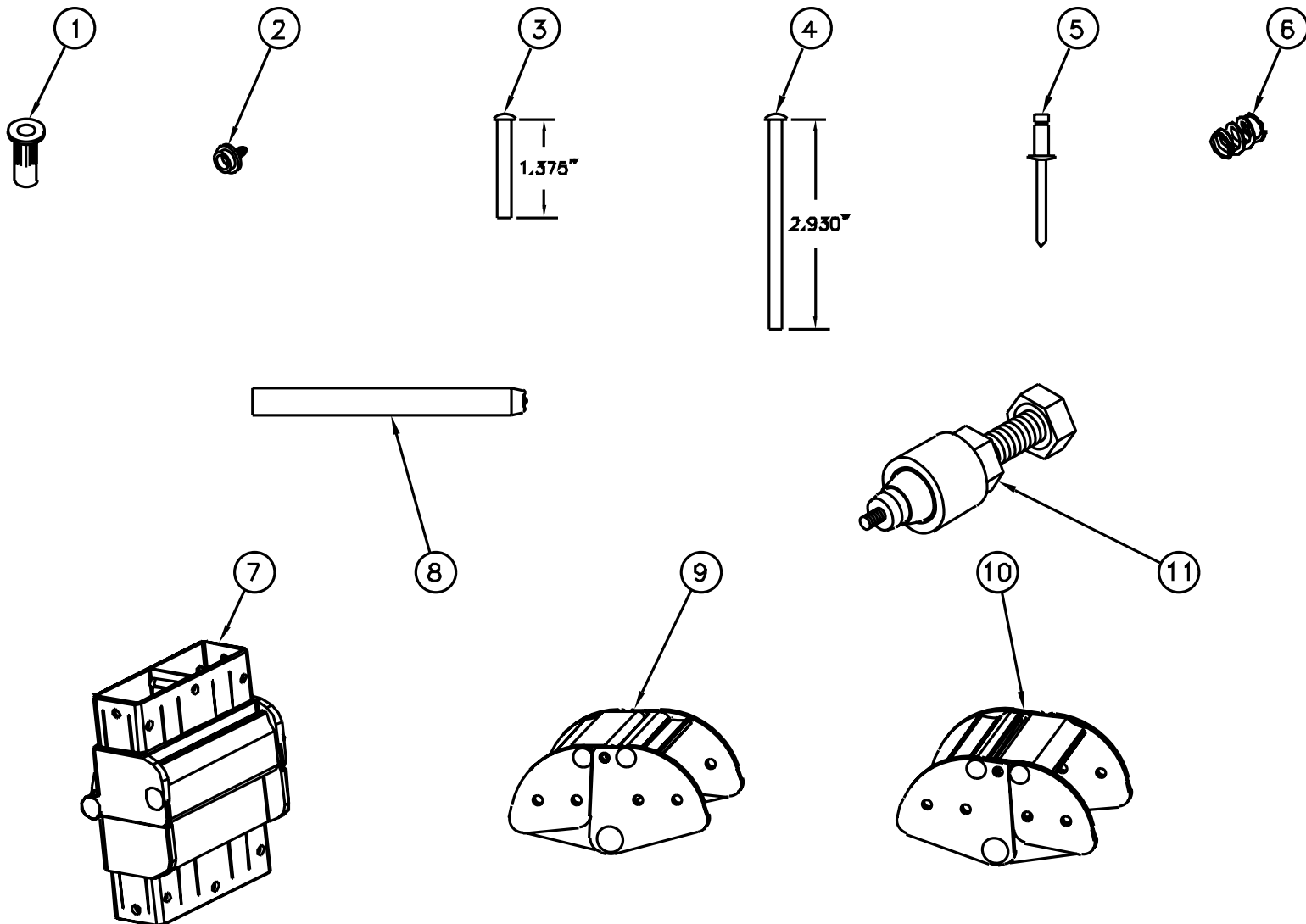


Diagram Number	Da-Lite Number	Description	Quantity Required	List Price Each
1	47473	Rivnut, steel 5/16 - 18 long - used to screw speedy cranks to frames	10	\$2.50
2	47441	Snap stud - mounts to frame to snap fabric onto frame	20	\$0.53
3	44830	Rivet, .187 x 1.375" long - used to mount hinge/latch assy. to frame	20	\$0.24
4	91777	Rivet, .184 x 2.93" long - used to mount the latch assy. to the legs	16	\$0.82
5	48570	Pop rivet - used to mount hinge/latch assy. casting to the frame	8	\$0.29
6	88806	Spring - used in latch assy. beneath the blue latch	20	\$0.64
7	37317	Hinge/latch assy. casting - used on the frame	2	\$43.20
8	47206	Rivet setting tool	1	\$79.50
9	99148	Left latch assy. used on legs	2	\$39.30
10	99150	Right latch assy. used on legs	2	\$39.30
11	47207	Rivnut tool	1	\$167.00
		For complete HD Deluxe repair kit, order as follows: (includes #1-11)		
	36974	Fast-Fold HD Deluxe Repair Kit	1	\$518.00