

---

INSTRUCTION BOOK FOR  
Safety Belt A-552 & A-552R

---



# Installation of Safety Belt

1. Attach the two 3" Velcro loop strips to the top surface of the TV with 2" on top and 1" on the side. See Figure 1. Use the following guidelines to position the strip.
  - a. Velcro strip to be on a flat surface parallel to the monitor's base.
  - b. Velcro strip is the maximum distance from the front of the screen.
  - c. Place the Velcro strip to insure the safety belt, on the side of the TV, is always parallel to the screen or slanted back from the top. See Figure 2.

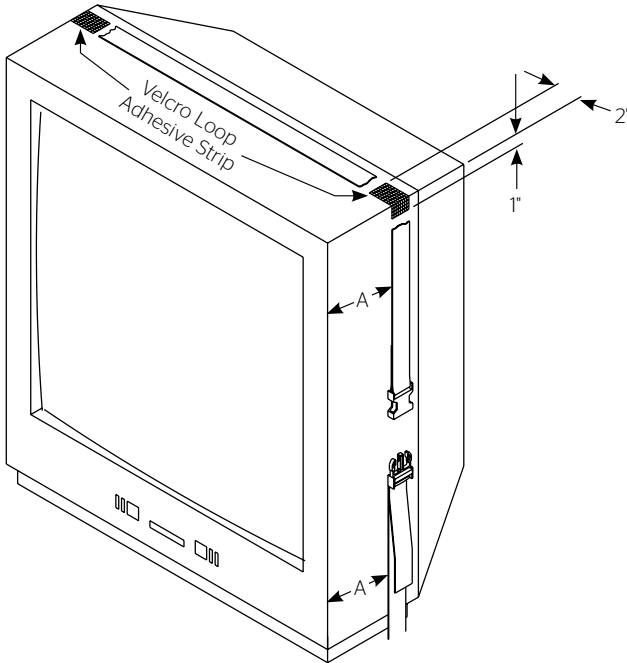


Figure 1

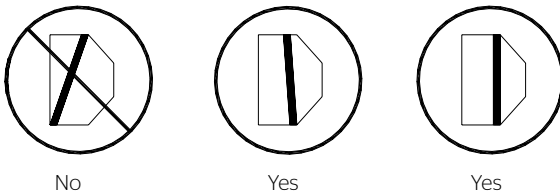
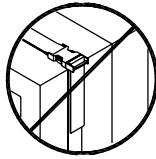


Figure 2

2. Apply the Velcro hook strip to the Velcro loop. Do **NOT** remove the adhesive protector at this time.
3. Wrap the belt under the object the TV is resting on and around the TV. Position the buckle so that it is located along the top or side, but not near a corner of the TV or the object it is resting upon. See Figure 3. Loosely position the belt.

**Figure 3**

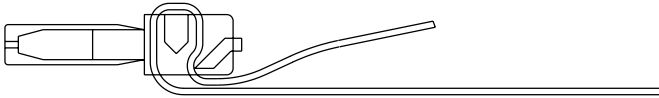


No

4. After the belt is in a suitable location for tightening, remove the adhesive protectors from the Velcro hooks and place the belt over them.
5. Tighten the belt. Do not overtighten as this could result in damage to the TV. Secure the loose end of the belt.

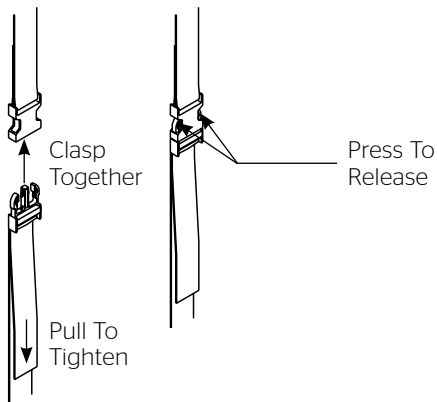
### Operation of the Buckle type Belt

1. Thread the belt through the buckle as shown in Figure 4.



**Figure 4**

2. Do not twist the belt but do keep the loose end of the belt away from the TV to make adjustments easier.
3. To tighten the belt, clasp the buckles together and pull on the loose end of the belt. See Figure 5.



**Figure 5**

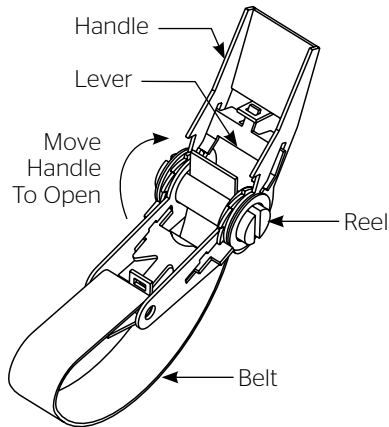
4. To release the belt, squeeze the buttons on the sides of the buckle.

# Installation of Safety Belt (Continued)

---

## Operation of the Ratchet type Belt.

1. Thread the belt through the reel of the ratchet as shown in Figure 6. Do not twist the belt.



**Figure 6**

2. To tighten the belt, pull the loose end of the belt until all slack in the belt is eliminated. Then, operate the Handle until the belt is tight enough to secure the TV. **NOTE:** The reel must have at least two wraps of belt around it to prevent slippage.
3. To loosen the belt, open the Handle until it stops, move the Lever away from the reel, and continue to open the Handle until the Handle stops. Release the Lever and pull the belt to unwind from the reel. Pull the Lever to allow the Handle to close.



A Milestone AV Technologies Brand

3100 North Detroit Street  
Warsaw, Indiana 46582  
P: 574.267.8101 or 800.622.3737  
F: 574.267.7804 or 877.325.4832  
E: info@da-lite.com  
www.da-lite.com

DL-0373 (Rev. 1) 12.14

© 2014 Milestone AV Technologies LLC. Printed in U.S.A.

E-342