

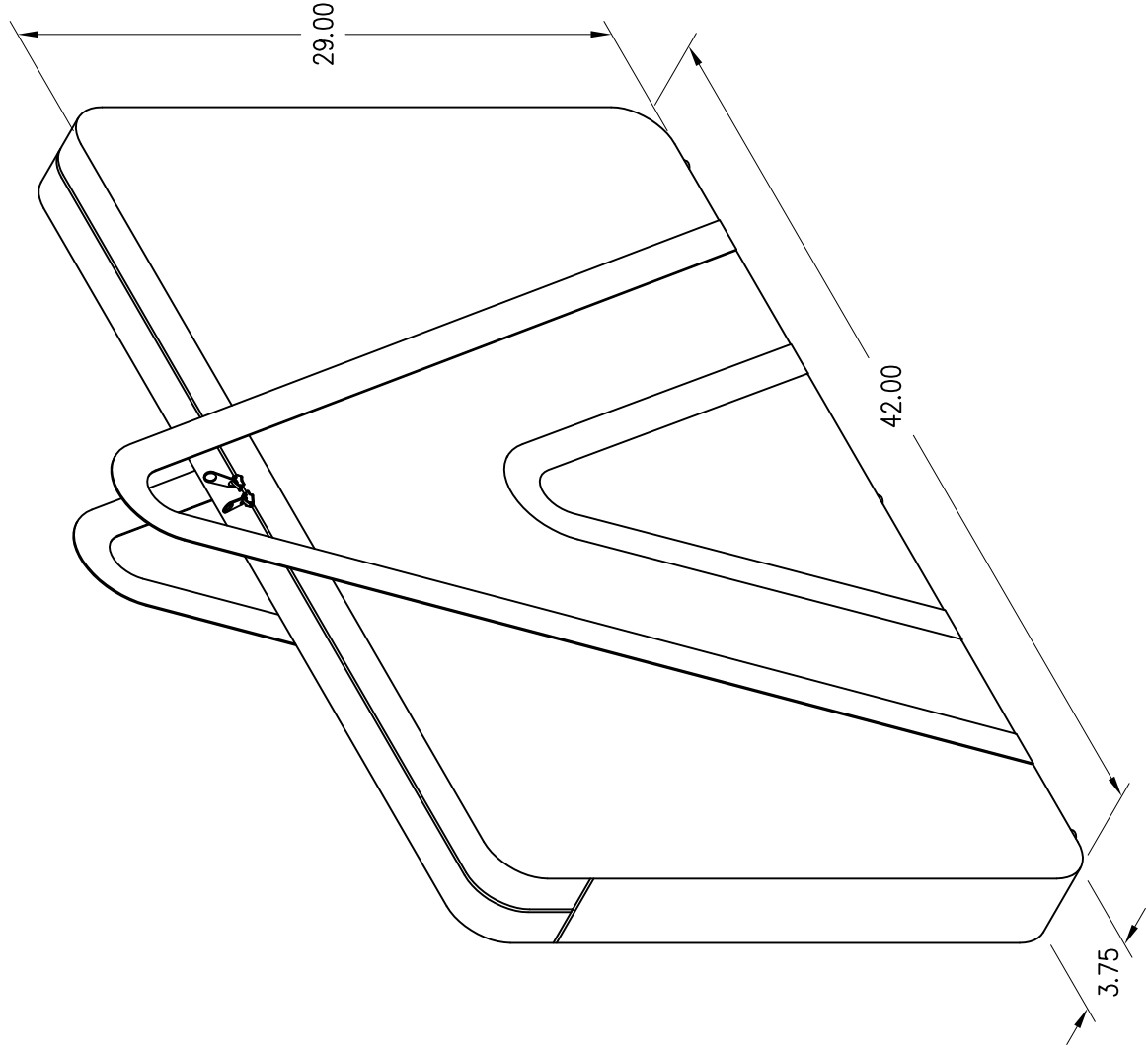
CARRYING CASE FOR  
STANDARD PAPER PAD  
& PORCELAIN EASELS

THE **Advance**

**PRODUCTS COMPANY**

1199 E. Central, Wichita, KS 67214-3922 Ph: (316) 263-4231

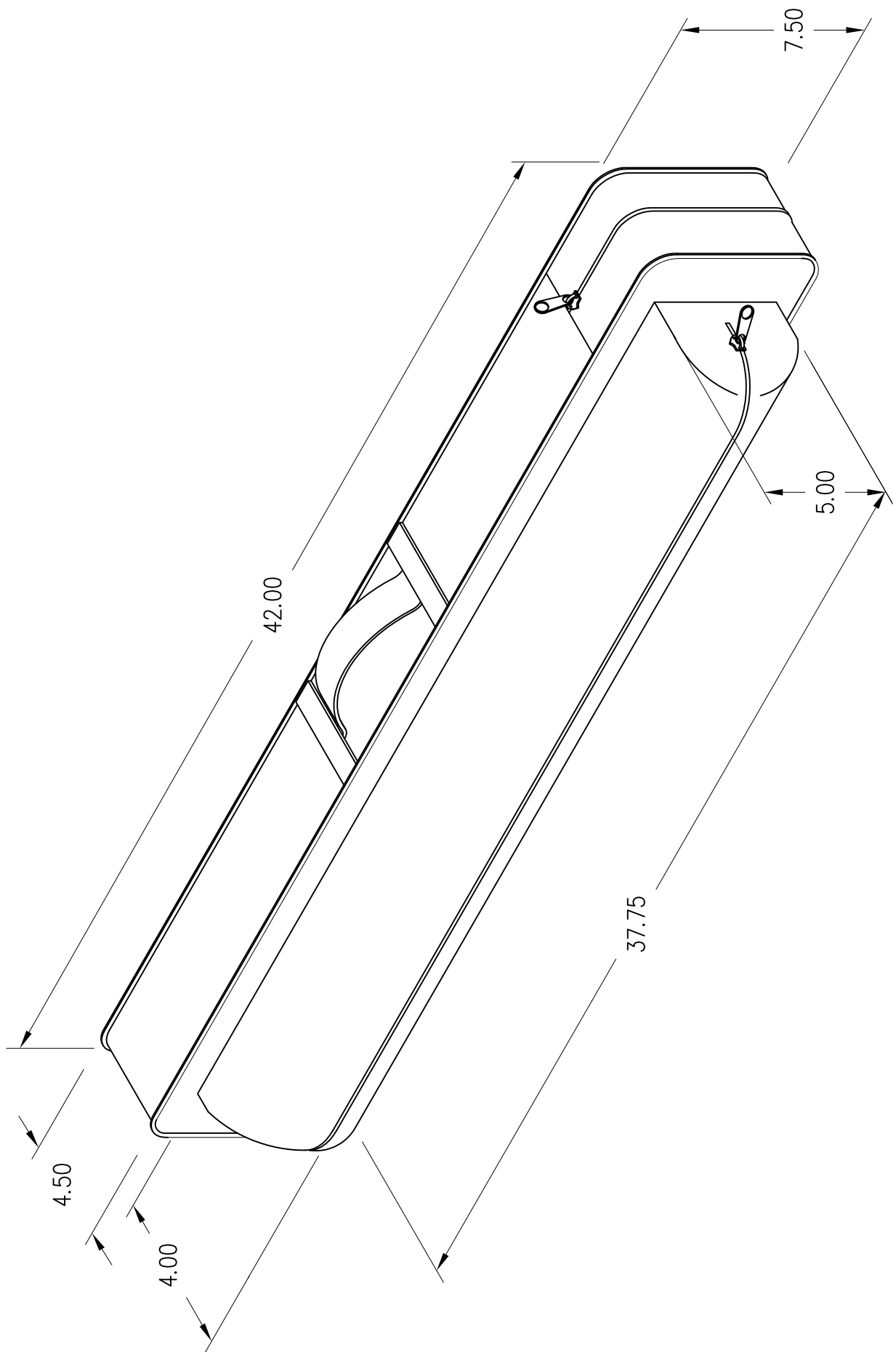
THIS DRAWING IS THE PROPERTY OF THE ADVANCE  
PRODUCTS COMPANY AND IS NOT TO BE REPRODUCED  
OR USED TO FURNISH INFORMATION FOR MAKING  
DRAWINGS EXCEPT WHERE PROVIDED BY AGREEMENT  
WITH SAID COMPANY.



CARRYING CASE  
FOR  
D305 PORTABLE EASEL

THE **Advantage**  
PRODUCTS COMPANY  
1199 E. Central, Wichita, KS 67214-3922 Ph: (316) 263-4231

THIS DRAWING IS THE PROPERTY OF THE ADVANCE  
PRODUCTS COMPANY AND IS NOT TO BE REPRODUCED  
OR USED TO FURNISH INFORMATION FOR MAKING  
DRAWINGS EXCEPT WHERE PROVIDED BY AGREEMENT  
WITH SAID COMPANY.



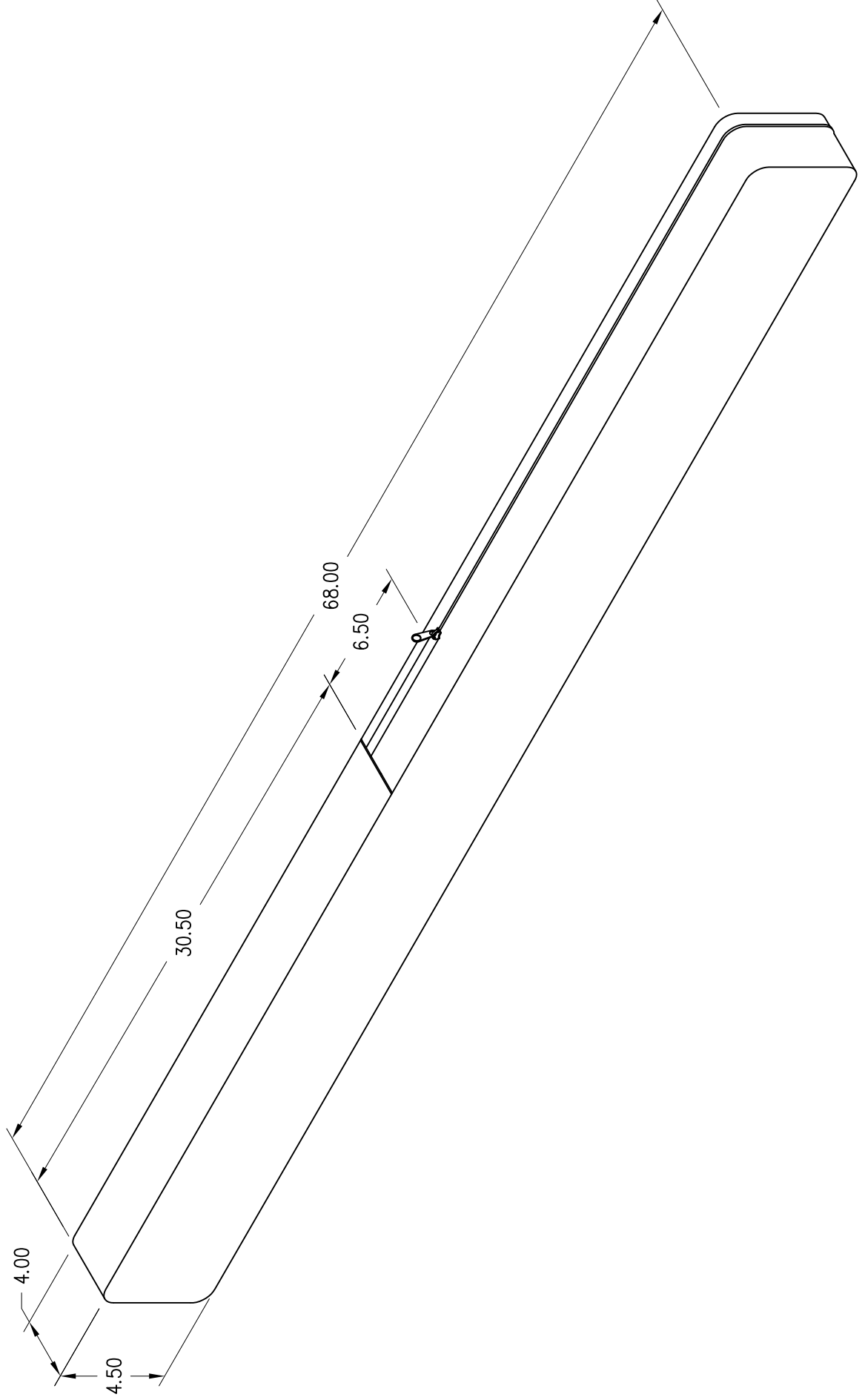
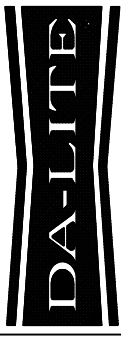
CARRYING CASE  
FOR  
H321 EASEL

THE **Advance**

**PRODUCTS COMPANY**

1199 E. Central, Wichita, KS 67214-3922 Ph: (316) 263-4231

THIS DRAWING IS THE PROPERTY OF THE ADVANCE  
PRODUCTS COMPANY AND IS NOT TO BE REPRODUCED  
OR USED TO FURNISH INFORMATION FOR MAKING  
DRAWINGS EXCEPT WHERE PROVIDED BY AGREEMENT  
WITH SAID COMPANY.



CARRYING CASE  
FOR  
H323 EASLES

THE **Advantage**

**PRODUCTS COMPANY**

1199 E. Central, Wichita, KS 67214-3922 Ph: (316) 263-4231

THIS DRAWING IS THE PROPERTY OF THE ADVANCE  
PRODUCTS COMPANY AND IS NOT TO BE REPRODUCED  
OR USED TO FURNISH INFORMATION FOR MAKING  
DRAWINGS EXCEPT WHERE PROVIDED BY AGREEMENT  
WITH SAID COMPANY.

