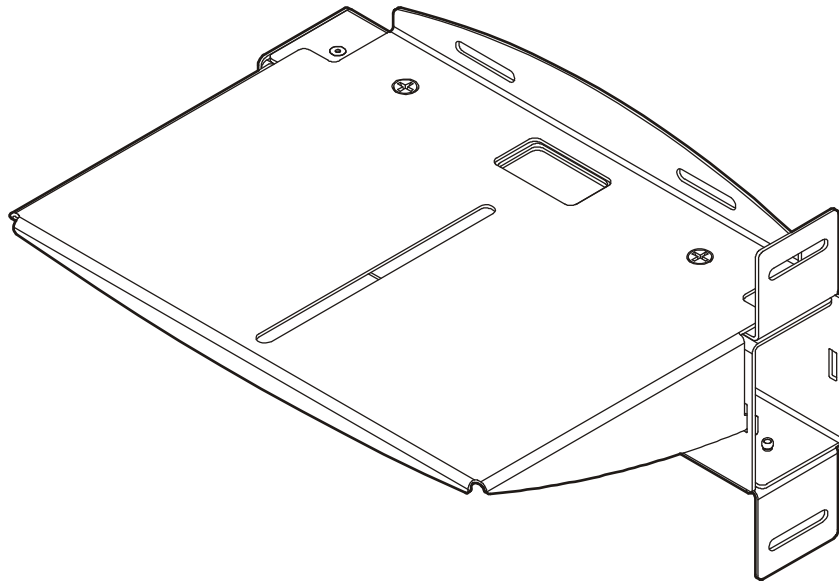

INSTALLATION INSTRUCTIONS



Video Camera Shelf Accessory

DISCLAIMER

Milestone AV Technologies and its affiliated corporations and subsidiaries (collectively "Milestone"), intend to make this manual accurate and complete. However, Milestone makes no claim that the information contained herein covers all details, conditions or variations, nor does it provide for every possible contingency in connection with the installation or use of this product. The information contained in this document is subject to change without notice or obligation of any kind. Milestone makes no representation of warranty, expressed or implied, regarding the information contained herein. Milestone assumes no responsibility for accuracy, completeness or sufficiency of the information contained in this document.

Chief® is a registered trademark of Milestone AV Technologies. All rights reserved.

IMPORTANT SAFETY INSTRUCTIONS

WARNING: A WARNING alerts you to the possibility of serious injury or death if you do not follow the instructions.

CAUTION: A CAUTION alerts you to the possibility of damage or destruction of equipment if you do not follow the corresponding instructions.

WARNING: Failure to read, thoroughly understand, and follow all instructions can result in serious personal injury, damage to equipment, or voiding of factory warranty! It is the installer's responsibility to make sure all components are properly assembled and installed using the instructions provided.

WARNING: Exceeding the weight capacity can result in serious personal injury or damage to equipment! The weight of the camera located on the AN2CA1 must not exceed 10 lbs (4.5 kg).

WARNING: Use this mounting system only for its intended use as described in these instructions. Do not use attachments not recommended by the manufacturer.

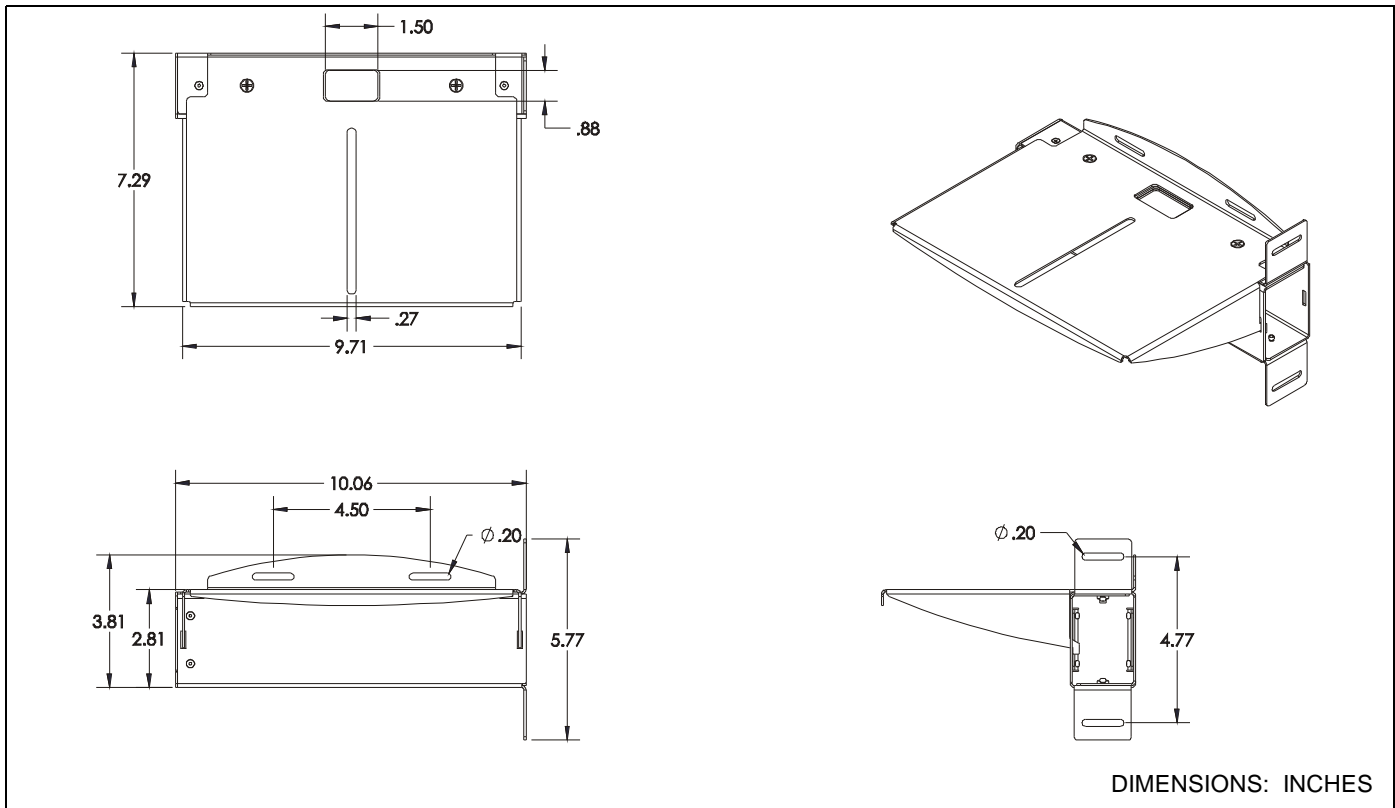
WARNING: Never operate this mounting system if it is damaged. Return the mounting system to a service center for examination and repair.

WARNING: Do not use this product outdoors.



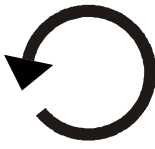



NOTE: The AN2CA1 may be attached into drywall with a **minimum** thickness of 1/2", to a **maximum** thickness of 5/8".

--SAVE THESE INSTRUCTIONS--

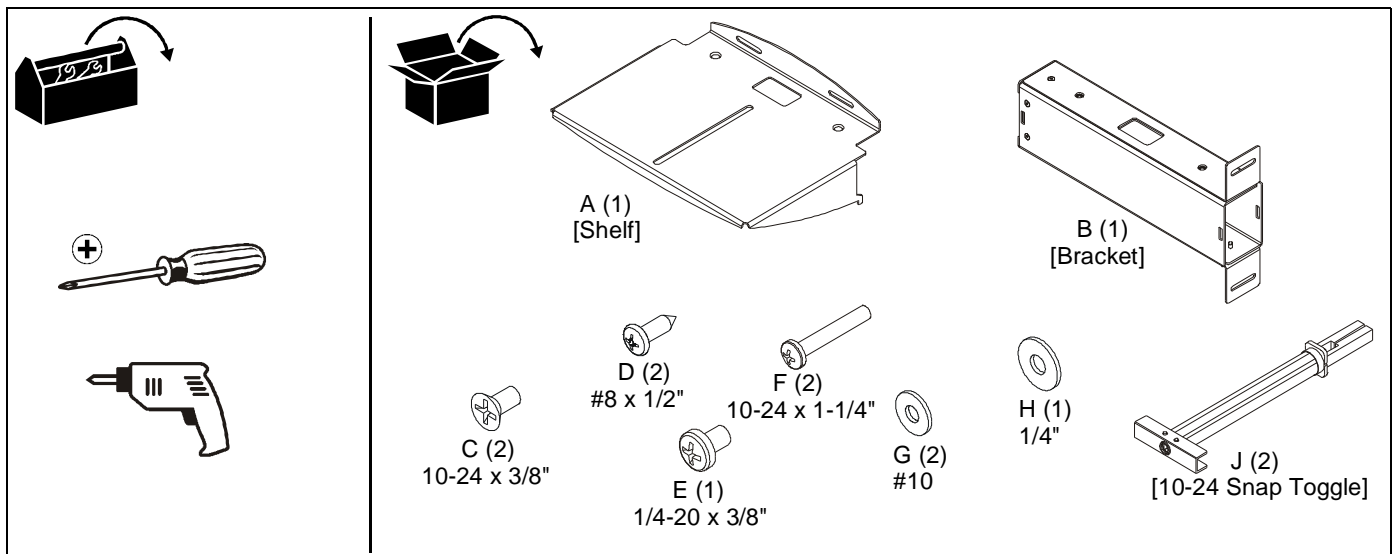
DIMENSIONS



LEGEND

	<p>Tighten Fastener Apretar elemento de fijación Befestigungsteil festziehen Apertar fixador Serrare il fissaggio Bevestiging vastdraaien Serrez les fixations</p>		<p>Pencil Mark Marcar con lápiz Stiftmarkierung Marcar com lápis Segno a matita Potloodmerkteken Marquage au crayon</p>
	<p>Loosen Fastener Aflojar elemento de fijación Befestigungsteil lösen Desapertar fixador Allentare il fissaggio Bevestiging losdraaien Desserrez les fixations</p>		<p>Drill Hole Perforar Bohrloch Fazer furo Praticare un foro Gat boren Percez un trou</p>
	<p>Phillips Screwdriver Destornillador Phillips Kreuzschlitzschraubendreher Chave de fendas Phillips Cacciavite a stella Kruiskopschroevendraaier Tournevis à pointe cruciforme</p>		<p>Optional Opcional Optional Opcional Opzionale Optie En option</p>

TOOLS / PARTS FOR INSTALLATION



ASSEMBLY AND INSTALLATION

NOTE: The AN2CA1 may be attached into drywall with a **minimum** thickness of 1/2", to a **maximum** thickness of 5/8".

NOTE: The AN2CA1 may also be attached to the screen frame, in addition to attaching to the wall. **Proceed to Step 2** if only attaching to the wall.

1. **(OPTIONAL)** Place bracket (B) flush with the wall, and attach it at desired location to screen frame using two #8 x 1/2" self-drilling screws (D). (See Figure 1)

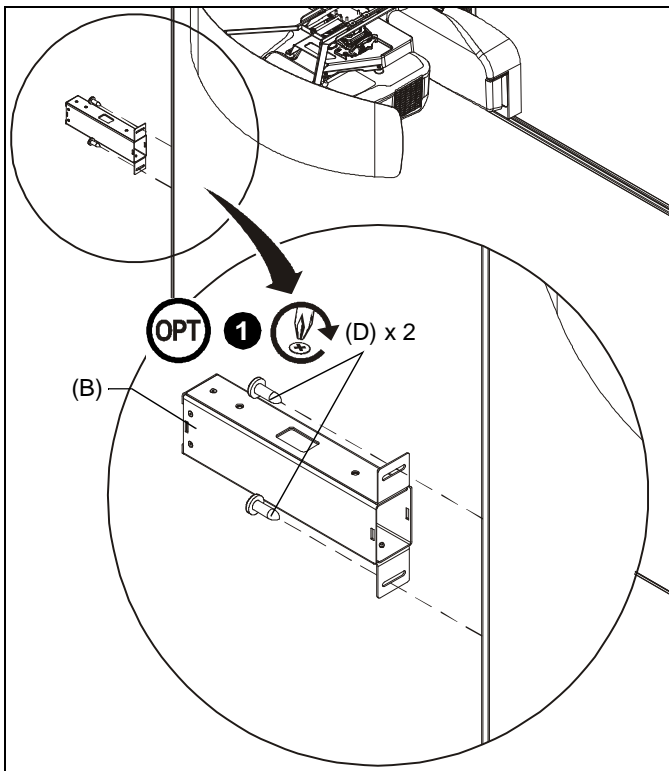


Figure 1

NOTE: If desired, the bracket (B) may be reversed and attached to the opposite side of the screen.

2. Slide shelf (A) into bracket (B), ensuring that tabs in shelf hook into bracket slots. (See Figure 2)

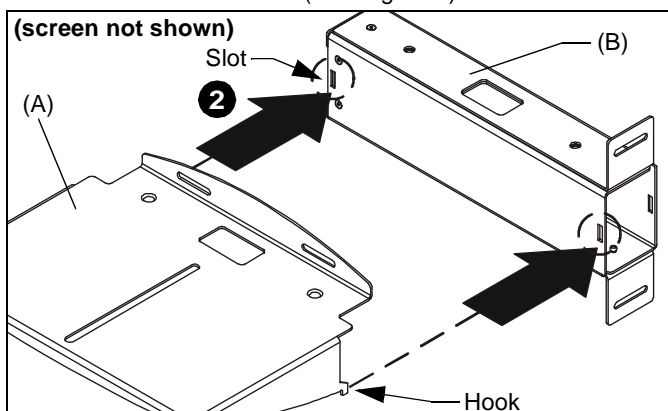


Figure 2

3. Mark mounting slots from shelf (A) onto wall above bracket (B). (See Figure 3)

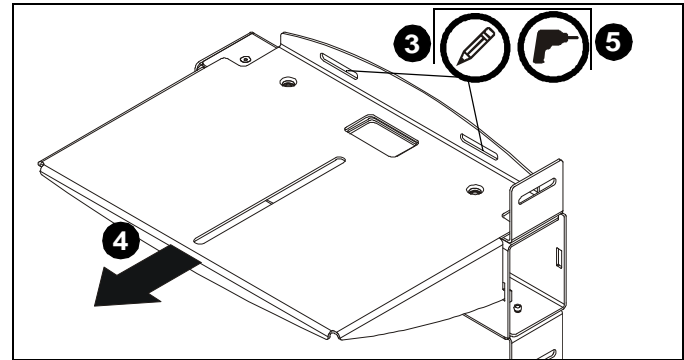


Figure 3

4. Remove shelf (A) from bracket (B). (See Figure 3)
5. Drill one 1/2" hole at each marked location on wall.
6. Hold metal channel on 10-24 (J) Snap-Toggle flat alongside plastic straps and slide channel through hole. (See Figure 4)

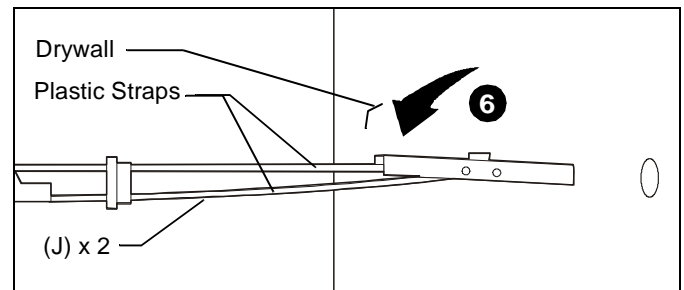


Figure 4

7. Holding plastic straps on anchor, pull anchor away from wall until channel rests flush behind wall making sure anchor channel is positioned vertically. (See Figure 5)
8. Slide plastic cap on anchor towards wall until flange of cap is flush with wall. (See Figure 5)

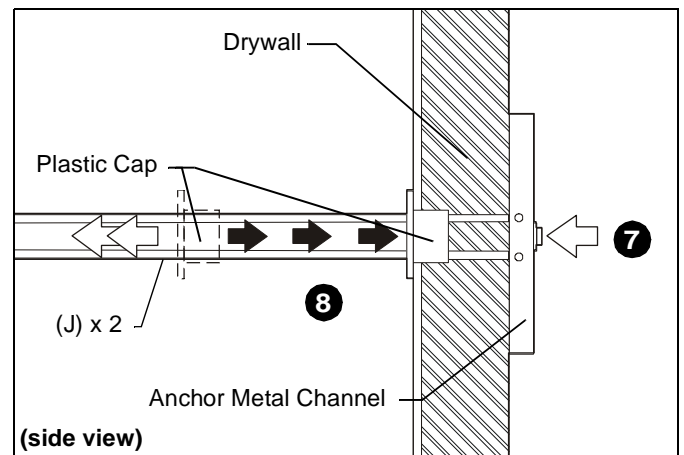


Figure 5

9. Snap off plastic straps on anchor at wall by pushing side to side, snapping off straps level with flange of plastic cap. (See Figure 6)

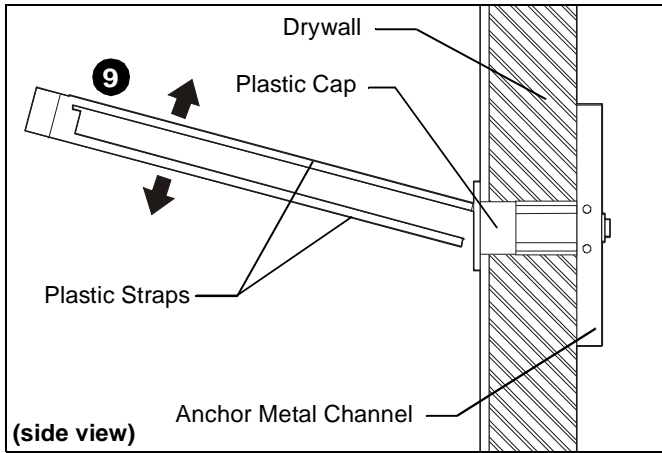


Figure 6

10. Slide shelf (A) into bracket (B), ensuring that tabs in shelf assembly hook into attach bracket slots.
11. Fasten shelf (A) to bracket (B) using two 10-24 x 3/8" Phillips flathead screws (C). (See Figure 7)

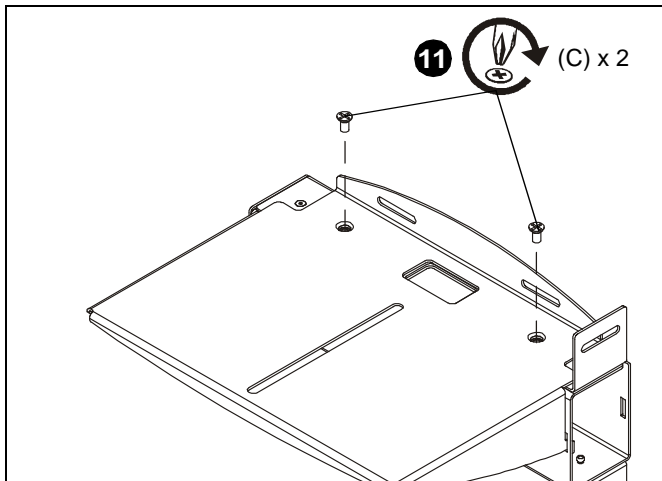


Figure 7

12. Place shelf mounting slots over anchors and align mounting slots in shelf with hole in anchors. (See Figure 8)
13. Insert one 10-24 x 1-1/4" Phillips pan head screw (F) through #10 washer (G), corresponding mounting slot on shelf (A) and into Snap-Toggle (J) and tighten until flush against shelf. DO NOT over tighten! (See Figure 8)
14. Repeat for remaining mounting slot.

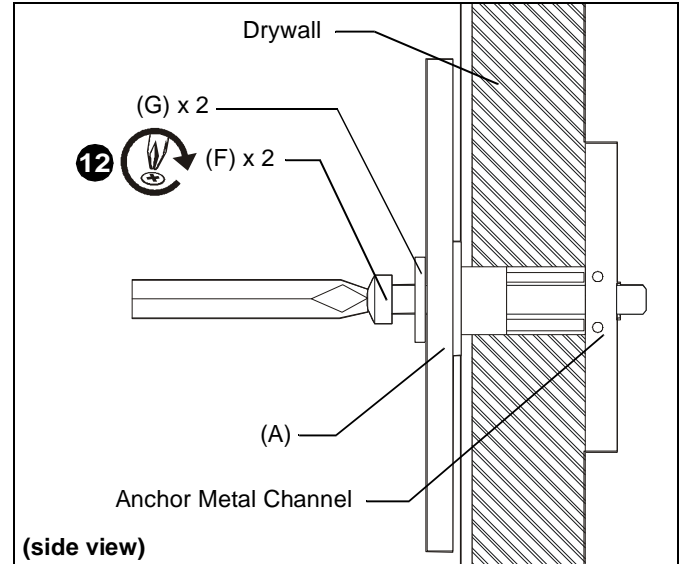


Figure 8

15. Attach camera to the shelf using a 1/4-20 x 3/8" Phillips screw (E) and 1/4" washer (H). (See Figure 9)

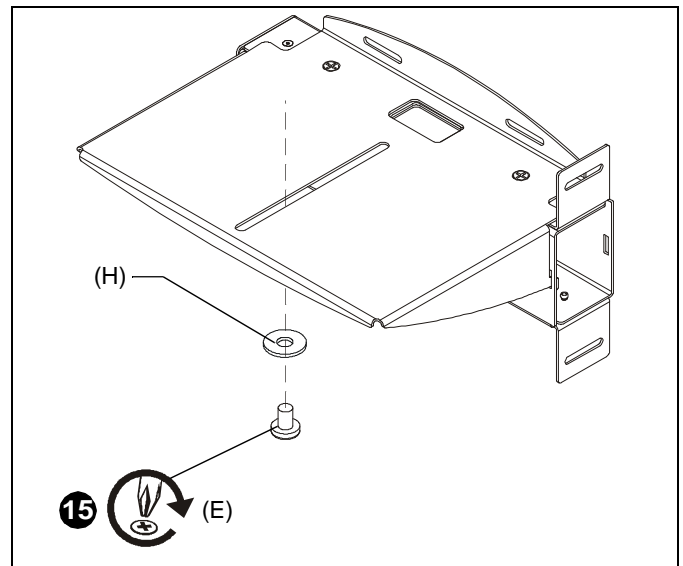


Figure 9

16. Cables may be routed through the opening towards the back of the shelf assembly and through the bracket.
17. Complete the installation following instructions included with the camera.



Our Mounts. **Your Vision.**

Chief, a products division of
Milestone AV Technologies

8800-002731 Rev00
©2015 Milestone AV Technologies
www.chiefmfg.com
06/15

USA/International	A 6436 City West Parkway, Eden Prairie, MN 55344 P 800.582.6480 / 952.225.6000 F 877.894.6918 / 952.894.6918
Europe	A Franklinstraat 14, 6003 DK Weert, Netherlands P +31 (0) 495 580 852 F +31 (0) 495 580 845
Asia Pacific	A Office No. 918 on 9/F, Shatin Galleria 18-24 Shan Mei Street Fotan, Shatin, Hong Kong P 852 2145 4099 F 852 2145 4477

