

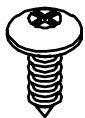
Whiteboard Mount Corner Supports

Tools Required for Installation



Screw Gun

Required Hardware - Provided



(4) M8 x 1/2" Machine Screws

Required Hardware - Not Provided

(4) wall anchors and hardware
(appropriate for the wall being used)

Installation

1. Align corner supports within 3" of each screen corner, but do not attach at this time. Figure 1.

NOTE: The four corner supports can be placed on the top, bottom or side of the screen as long as each support is within 3" of the corner.

2. Extend the feet until they are in contact with the wall.
3. Mark the wall for the wall anchors using the holes in each corner support.
4. Remove the corner supports and install the wall anchors (not provided) following the instructions provided with the wall anchors.
5. Reposition the corner supports and attach them to the screen frame using the provided M8 X 1/2" screws. Figure 2.
6. If necessary, adjust the feet to ensure they are in contact with the wall to provide stable support for the screen corners.
7. Secure the corner supports to the wall using the appropriate wall anchor hardware.

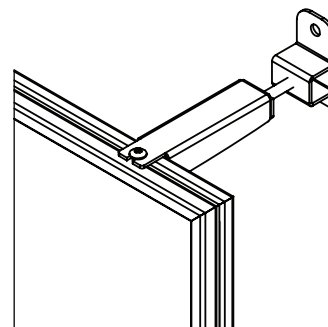


Figure 1

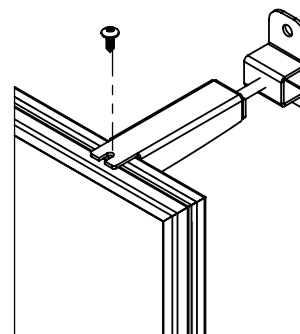


Figure 2



A Milestone AV Technologies Brand

3100 North Detroit Street
Warsaw, Indiana 46582
P: 574.267.8101 or 800.622.3737
F: 574.267.7804 or 877.325.4832
E: info@da-lite.com
www.da-lite.com

DL-0628 03.16

© 2016 Milestone AV Technologies LLC. Printed in U.S.A.