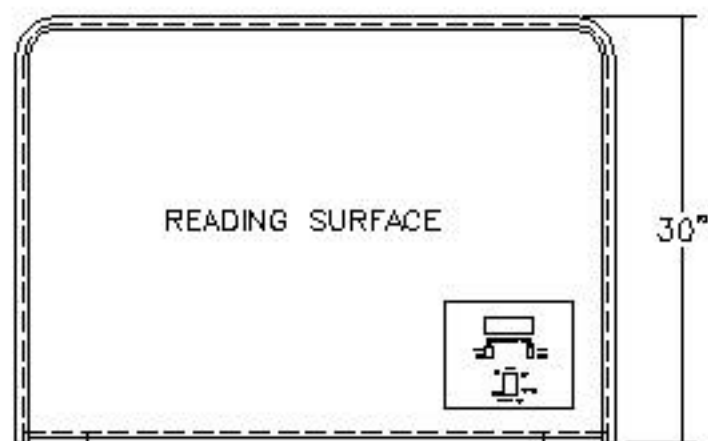
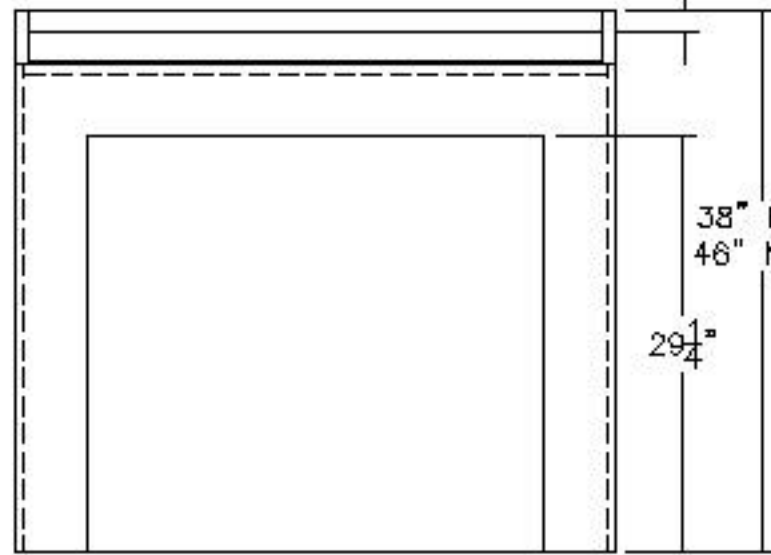


THIS PRINT SUPERSEDES ANY PRINT DATED PRIOR TO: NO:  
 9-30-02



30"

42"  
 TOP VIEW



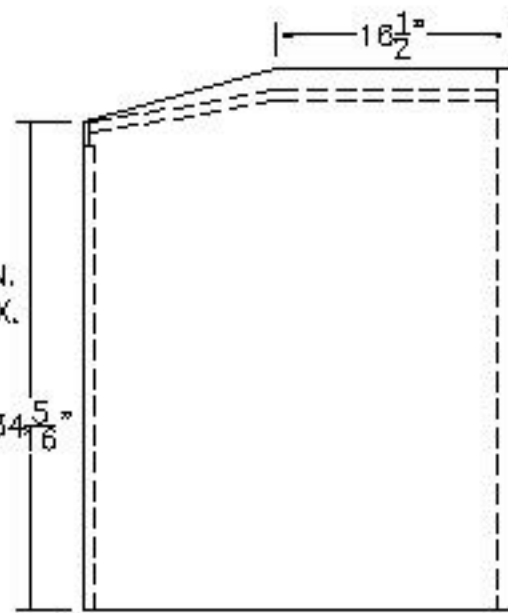
BACK VIEW

1 1/2"

38" MIN.  
 46" MAX.

29 1/4"

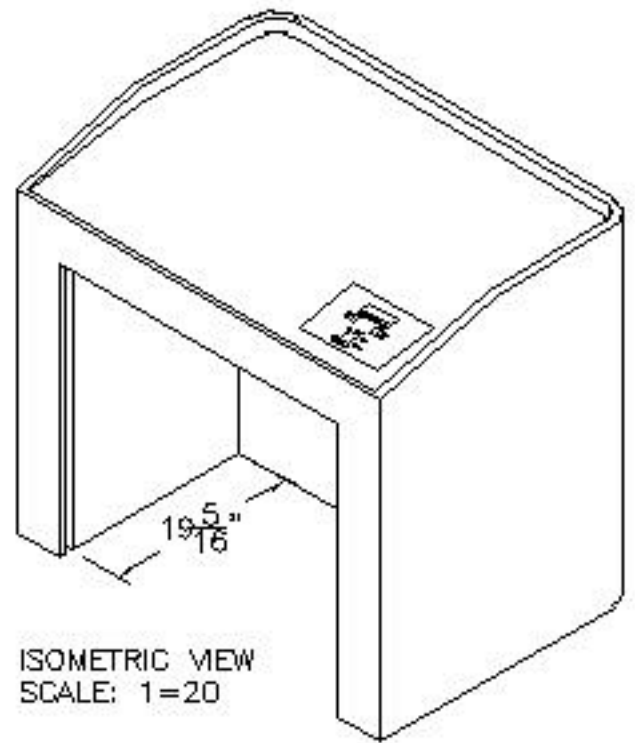
5" TYP.



SIDE VIEW

16 1/2"

34 5/16"



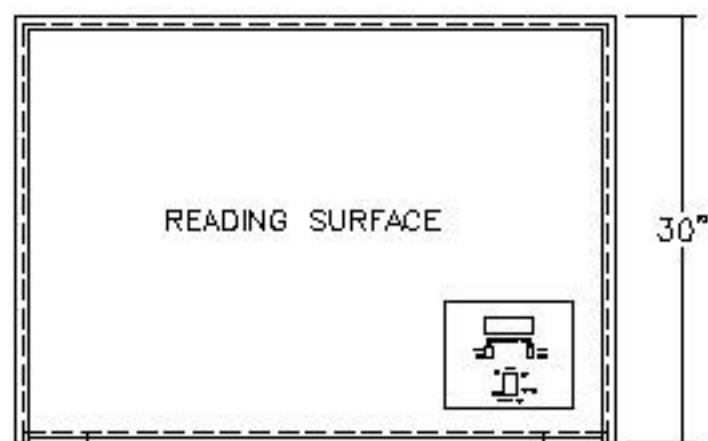
ISOMETRIC VIEW  
 SCALE: 1=20

19 5/16"

REVISION				
REVISED BY:				
APP'D BY:				

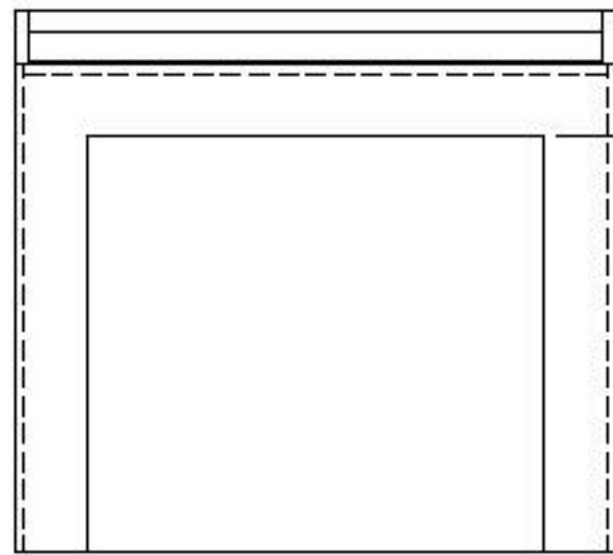
SCALE: 1=14	DRAWN BY: K.J.L.	DATE: 9-30-02	APP'D BY:	DATE:
MATERIAL NO: N/A	FINISH: N/A		CAD	
NAME: ADA LECTERN, 42"W CONCORD				
DA-LITE SCREEN CO. WARSAW, INDIANA, USA			NO:	

THIS PRINT SUPERSEDES ANY PRINT DATED PRIOR TO:  
 9-30-02 NO:



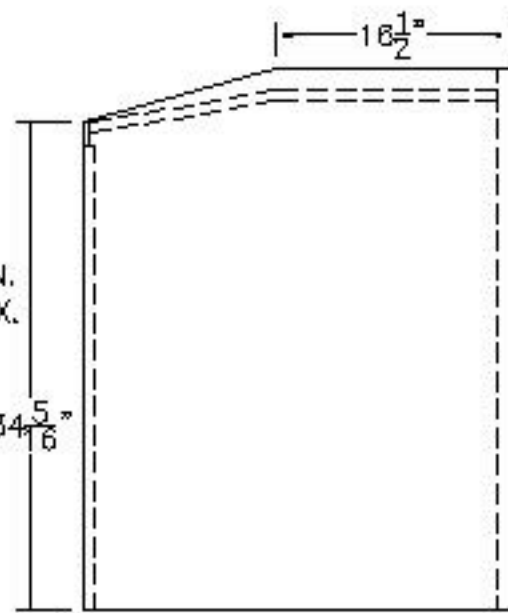
30"

42"  
 TOP VIEW

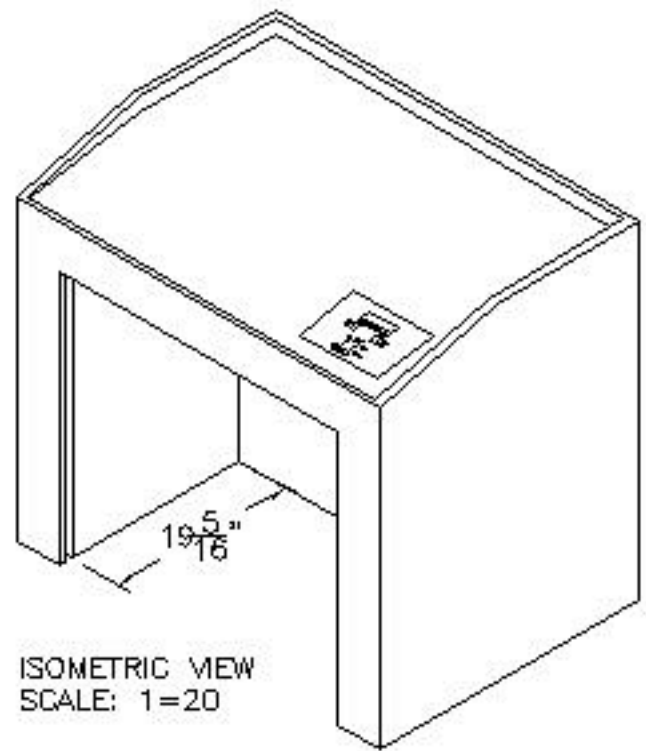


32"  
 BACK VIEW

1 1/2"  
 38" MIN.  
 46" MAX.  
 29 1/4"  
 5" TYP.



16 1/2"  
 34 5/16"  
 SIDE VIEW



REVISION				
REVISED BY:				
APP'D BY:				

SCALE: 1=14	DRAWN BY: K.J.L.	DATE: 9-30-02	APP'D BY:	DATE:
MATERIAL NO: N/A	FINISH: N/A		CAD	
NAME: ADA LECTERN, 42"W LEXINGTON				
DA-LITE SCREEN CO. WARSAW, INDIANA, USA			NO:	