

Advantage Manual with CSR

Parts List

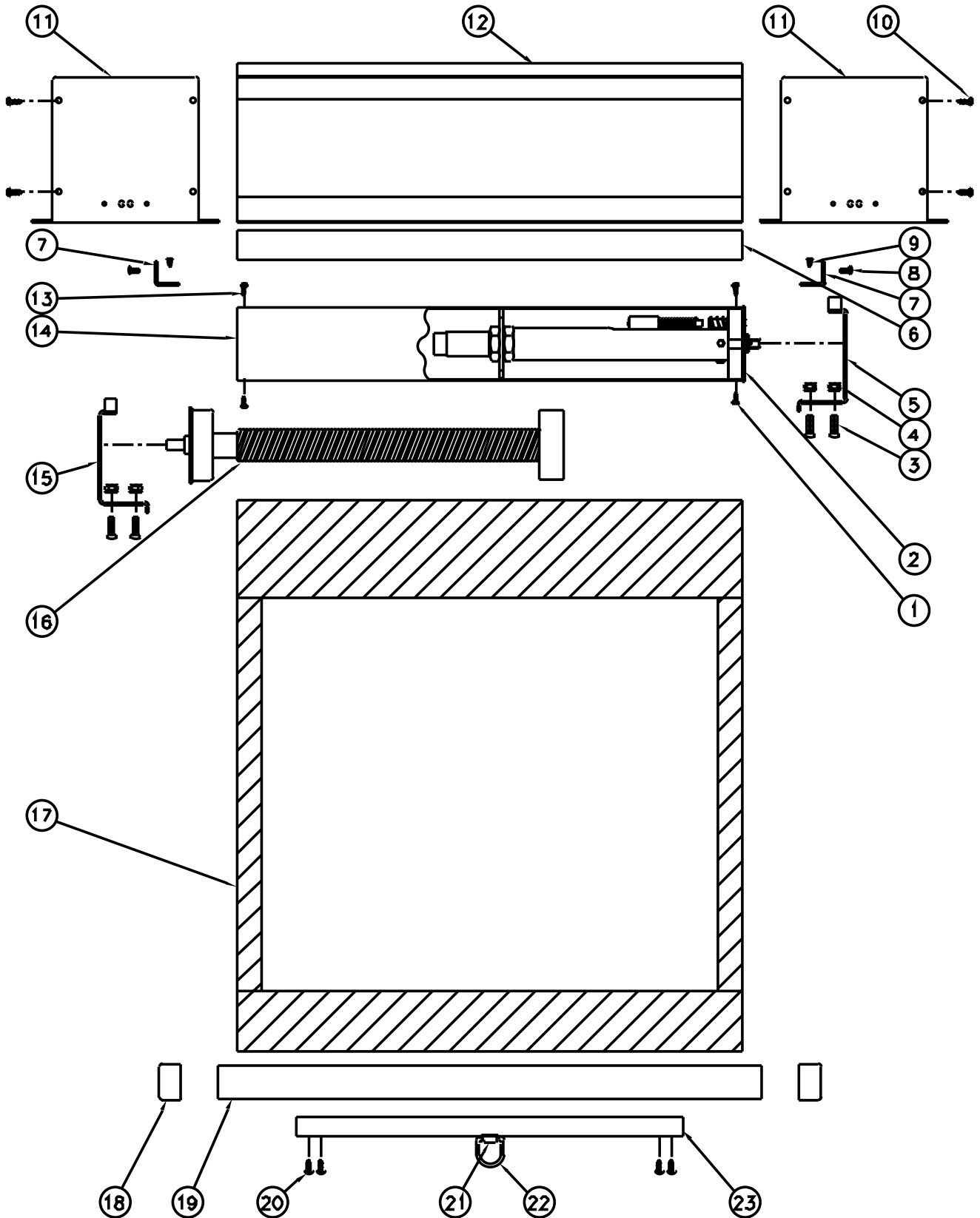


Diagram Number	Da-Lite Number	Description	Quantity Required	List Price Each
1	82998	Screw for CSR assy. for 3" roller	3	\$0.16
2	99473	CSR assy. for 3" roller - See note #1	1	\$263.00
	79090	CSR assy. for 3" roller - See note #2	1	\$271.00
	93450	CSR assy. for 10' x 10', 9' x 12', 12' x 12', 180" diag. and 200" diag. screens - See note #3	1	\$271.00
3	34138	Bolt, square for roller bracket	4	\$0.47
4	23104	Nut for roller bracket	4	\$0.32
5	13278	Roller Bracket Assy 1 3/4" roller - after 1/27/2020 (includes CSR adjustment components)	1	\$58.00
	34188WHITE	Roller bracket, CSR for 3" roller	1	\$14.35
6	84131	White door for 60" and 72" diag. screens	1	\$85.70
	84237	White door for 70" and 84" diag. screens	1	\$87.90
	34399	White door for 84", 96" diag., 100" diag., 92" diag. and 94" diag. screens	1	\$99.20
	84239	White door for 8', 120" diag., 106" diag. and 109" diag. screens	1	\$105.00
	84554	White door for 110" diag. and 113" diag. screens	1	\$105.00
	84240	White door for 9', 119" diag. and 123" diag. screens	1	\$107.00
	34934	White door for 130" diag. screens	1	\$109.00
	84242	White door for 10', 150" diag., 133" diag. and 137" diag. screens	1	\$109.00
	36381	White door for 12', 180" diag., 159" diag. and 164" diag. screens	1	\$116.00
	84567	White door for 200" diag. screens	1	\$119.00
7	84225	Door bracket	2	\$3.20
8	72537	Screw for door bracket (pre 8/16)	2	\$0.32
	10908	Screw for door bracket (8/16 and later)	2	\$0.32
9	79659	Screw for door	2	\$0.16
10	50747	Screw for universal end cap	8	\$0.16
11	96336WHITE	Universal end cap, white	2	\$22.65
12	84130	White case for 60" and 72" diag. screens	1	\$488.00
	84229	White case for 70" and 84" diag. screens	1	\$544.00
	84230	White case for 84", 96" diag., 100" diag., 92" diag. and 94" diag. screens	1	\$611.00
	84231	White case for 8', 120" diag., 106" diag. and 109" diag. screens	1	\$675.00
	84533	White case for 110" diag. and 113" diag. screens	1	\$692.00
	84232	White case for 9', 119" diag. and 123" diag. screens	1	\$742.00
	34933	White case for 130" diag. screens	1	\$763.00
	84234	White case for 10', 150" diag., 133" diag. and 137" diag. screens	1	\$785.00
	36380	White case for 12', 180" diag., 159" diag. and 164" diag. screens	1	\$868.00
	84546	White case for 200" diag. screens	1	\$956.00
13	82998	Screw for spring assy. for 3" roller	3	\$0.16
	80765	Roller Plug, Pin End 1-3/4 Poly fir 1 3/4" roller		\$2.30
14		3" Roller assemblies include #1, 2, 13, and 16. 1 3/4" Roller assy include #13, 16		
	85865	3" roller assy. for 60" and 72" diag. screens - Before 1/27/2020	1	\$404.00
	32852	1 3/4" roller assy. for 60" and 72" diag. screens - After 1/27/2020	1	\$107.00
	85866	3" roller assy. for 70" and 84" diag. screens - Before 1/27/2020	1	\$418.00
	32853	1 3/4" roller assy. for 70" and 84" diag. screens - After 1/27/2020	1	\$107.00
	80185	3" Roller assy. for 84", 100" diag., 92" diag. and 94" diag. screens - Before 1/27/2020	1	\$421.00
	32855	1 3/4" Roller assy. for 84", 100" diag., 92" diag. and 94" diag. screens - After 1/27/2020	1	\$111.00
	37509	3" Roller assy. for 106" diag. and 109" diag. screens - Before 1/27/2020	1	\$423.00
	39377	1 3/4" Roller assy. for 106" diag. and 109" diag. screens - After 1/27/2020	1	\$112.00
	80186	3" Roller assy. for 8' and 120" diag. Screens - Before 1/27/2020	1	\$423.00
	39377	1 3/4" Roller assy. for 106" diag. and 109" diag. screens - After 1/27/2020	1	\$112.00

Diagram Number	Da-Lite Number	Description	Quantity Required	List Price Each
	80192	Roller assy. for 110" diag. and 113" diag. screens	1	\$424.00
	80187	Roller assy. for 9', 119" diag. and 123" diag. screens	1	\$426.00
	35003	Roller assy. for 130" diag. screens	1	\$428.00
	80188	Roller assy. for 8' x 10', 150" diag. 133" diag. and 137" diag. screens	1	\$431.00
	36377	Roller assy. for 10' x 10' screens	1	\$431.00
	80189	Roller assy. for 12' and 180" diag. screens	1	\$433.00
	36378	Roller assy. for 159" diag. and 164" diag. screens	1	\$433.00
	86831	Roller assy. for 200" diag. screens	1	\$446.00
15	13275WHITE	Roller bracket, spring end for 1 3/4" roller	1	\$30.00
	34187WHITE	Roller bracket, spring end for 3" roller	1	\$14.25
16	38855	Spring assy. for 1 3/4" roller includes the CSR - See Note #4	1	\$97.30
	57706	Spring assy. for 3" roller	1	\$101.00
17		Screen surface		
		HDTV (16:9) Format		
	84050	Fabric, Matte White 45" x 80" - 92" diag. 3" Before 1/27/2020	1	\$213.00
	12184	Fabric, Matte White 45" x 80" - 92" diag. 1 3/4" After 1/27/2020	1	\$213.00
	92813	Fabric, High Contrast Matte White 45" x 80" - 92" diag. 3" Before 1/27/2020	1	\$230.00
	12185	Fabric, High Contrast Matte White 45" x 80" - 92" diag. 1 3/4" After 1/27/2020	1	\$230.00
	78951	Fabric, Matte White 52" x 92" - 106" diag. 3" Before 1/27/2020	1	\$294.00
	12187	Fabric, Matte White 52" x 92" - 106" diag. 1 3/4" After 1/27/2020	1	\$294.00
	92814	Fabric, High Contrast Matte White 52" x 92" - 106" diag. 3" Before 1/27/2020	1	\$322.00
	12188	Fabric, High Contrast Matte White 52" x 92" - 106" diag. 1 3/4" After 1/27/2020	1	\$322.00
	94379	Fabric, Matte White 54" x 96" - 110" diag.	1	\$322.00
	94380	Fabric, High Contrast Matte White 54" x 96" - 110" diag.	1	\$353.00
	78954	Fabric, Matte White 58" x 104" - 119" diag.	1	\$343.00
	92815	Fabric, High Contrast Matte White 58" x 104" - 119" diag.	1	\$377.00
	78957	Fabric, Matte White 65" x 116" - 133" diag.	1	\$395.00
	92816	Fabric, High Contrast Matte White 65" x 116" - 133" diag.	1	\$435.00
	78960	Fabric, Matte White 78" x 139" - 159" diag.	1	\$641.00
	92817	Fabric, High Contrast Matte White 78" x 139" - 159" diag.	1	\$663.00
		Wide (16:10) Format		
	34841	Fabric, Matte White 50" x 80" - 94" diag. 3" Before 1/27/2020	1	\$213.00
	12202	Fabric, Matte White 50" x 80" - 94" diag. 1 3/4" After 1/27/2020	1	\$213.00
	34842	Fabric, High Contrast Matte White 50" x 80" - 94" diag. 3" Before 1/27/2020	1	\$230.00
	12203	Fabric, High Contrast Matte White 50" x 80" - 94" diag. 1 3/4" After 1/27/2020	1	\$230.00
	70457	Fabric, Matte White 57.5" x 92" - 109" diag. 3" Before 1/27/2020	1	\$294.00
	12205	Fabric, Matte White 57.5" x 92" - 109" diag. 1 3/4" After 1/27/2020	1	\$294.00
	70458	Fabric, High Contrast Matte White 57.5" x 92" - 109" diag. 3" Before 1/27/2020	1	\$322.00
	12206	Fabric, High Contrast Matte White 57.5" x 92" - 109" diag. 1 3/4" After 1/27/2020	1	\$322.00
	34845	Fabric, Matte White 60" x 96" - 113" diag.	1	\$322.00
	34846	Fabric, High Contrast Matte White 60" x 96" - 113" diag.	1	\$353.00
	21653	Fabric, Matte White 65" x 104" - 123" diag.	1	\$343.00
	21654	Fabric, High Contrast Matte White 65" x 104" - 123" diag.	1	\$377.00
	34849	Fabric, Matte White 69" x 110" - 130" diag.	1	\$395.00
	34850	Fabric, High Contrast Matte White 69" x 110" - 130" diag.	1	\$435.00
	70461	Fabric, Matte White 72.5" x 116" - 137" diag.	1	\$395.00
	70462	Fabric, High Contrast Matte White 72.5" x 116" - 137" diag.	1	\$435.00

Diagram Number	Da-Lite Number	Description	Quantity Required	List Price Each
	34853	Fabric, Matte White 87" x 139" - 164" diag.	1	\$641.00
	34854	Fabric, High Contrast Matte White 87" x 139" - 164" diag. Video (4:3) Format	1	\$663.00
	36199	Fabric, Matte White 43" x 57" - 72" diag. 3" Before 1/27/2020	1	\$116.00
	86148	Fabric, Matte White 43" x 57" - 72" diag. 1 3/4" After 1/27/2020	1	\$116.00
	35853	Fabric, High Contrast Matte White 43" x 57" - 72" diag. 3" Before 1/27/2020	1	\$127.00
	92807	Fabric, High Contrast Matte White 43" x 57" - 72" diag. 1 3/4" After 1/27/2020	1	\$127.00
	36205	Fabric, Matte White 50" x 67" - 84"diag. 3" Before 1/27/2020	1	\$142.00
	86836	Fabric, Matte White 50" x 67" - 84"diag. 1 3/4" After 1/27/2020	1	\$142.00
	35855	Fabric, High Contrast Matte White 50" x 67" - 84" diag. 3" Before 1/27/2020	1	\$155.00
	92808	Fabric, High Contrast Matte White 50" x 67" - 84" diag. 1 3/4" After 1/27/2020	1	\$155.00
	48625	Fabric, Matte White 60" x 80" - 100" diag. 3" Before 1/27/2020	1	\$213.00
	12220	Fabric, Matte White 60" x 80" - 100" diag. 1 3/4" After 1/27/2020	1	\$213.00
	92810	Fabric, High Contrast Matte White 60" x 80" - 100" diag. 3" Before 1/27/2020	1	\$230.00
	12221	Fabric, High Contrast Matte White 60" x 80" - 100" diag. 1 3/4" After 1/27/2020	1	\$230.00
	74342	Fabric, Matte White 69" x 92" - 120" diag. 3" Before 1/27/2020	1	\$294.00
	12223	Fabric, Matte White 69" x 92" - 120" diag. 1 3/4" After 1/27/2020	1	\$294.00
	92811	Fabric, High Contrast Matte White 69" x 92" - 120" diag. 3" Before 1/27/2020	1	\$322.00
	12224	Fabric, High Contrast Matte White 69" x 92" - 120" diag. 1 3/4" After 1/27/2020	1	\$322.00
	77173	Fabric, Matte White 87" x 116" - 150" diag.	1	\$395.00
	92812	Fabric, High Contrast Matte White 87" x 116" - 150" diag.	1	\$435.00
	77294	Fabric, Matte White 105" x 140" - 180" diag.	1	\$748.00
	86832	Fabric, Matte White 120" x 160" - 200" diag. Square Format	1	\$952.00
	36196	Fabric, Matte White 60" x 60" 3" Before 1/27/2020	1	\$116.00
	76099	Fabric, Matte White 60" x 60" 1 3/4" After 1/27/2020	1	\$116.00
	35857	Fabric, High Contrast Matte White 60" x 60" 3" Before 1/27/2020	1	\$127.00
	92800	Fabric, High Contrast Matte White 60" x 60" 1 3/4" After 1/27/2020	1	\$127.00
	36202	Fabric, Matte White 70" x 70" 3" Before 1/27/2020	1	\$142.00
	87546	Fabric, Matte White 70" x 70" 1 3/4" After 1/27/2020	1	\$142.00
	35859	Fabric, High Contrast Matte White 70" x 70" 3" Before 1/27/2020	1	\$155.00
	92801	Fabric, High Contrast Matte White 70" x 70" 1 3/4" After 1/27/2020	1	\$155.00
	76103	Fabric, Matte White 84" x 84" 3" Before 1/27/2020	1	\$230.00
	12238	Fabric, Matte White 84" x 84" 1 3/4" After 1/27/2020	1	\$230.00
	92802	Fabric, High Contrast Matte White 84" x 84" 3" Before 1/27/2020	1	\$255.00
	12239	Fabric, High Contrast Matte White 84" x 84" 1 3/4" After 1/27/2020	1	\$255.00
	74342	Fabric, Matte White 6' x 8' OBS - 04/27/2017	1	\$294.00
	92811	Fabric, High Contrast Matte White 6' x 8' OBS - 04/27/2017	1	\$322.00
	46124	Fabric, Matte White 8' x 8' 3" Before 1/27/2020	1	\$331.00
	12241	Fabric, Matte White 8' x 8' 1 3/4" After 1/27/2020	1	\$331.00
	92804	Fabric, High Contrast Matte White 8' x 8' 3" Before 1/27/2020	1	\$366.00
	12242	Fabric, High Contrast Matte White 8' x 8' 1 3/4" After 1/27/2020	1	\$366.00
	46125	Fabric, Matte White 7' x 9'	1	\$343.00
	46126	Fabric, Matte White 9' x 9'	1	\$528.00
	46127	Fabric, Matte White 8' x 10'	1	\$395.00
	46128	Fabric, Matte White 10' x 10'	1	\$658.00
	77294	Fabric, Matte White 9' x 12'	1	\$748.00
	46130	Fabric, Matte White 12' x 12'	1	\$590.00

Diagram Number	Da-Lite Number	Description	Quantity Required	List Price Each
18	38244	Slat cap, black plastic	2	\$0.59
19	87044	Slat for 60" and 72" diag. screens	1	\$11.10
	87045	Slat for 70" and 84" diag. screens	1	\$13.30
	87046	Slat for 84", 100" diag., 92" diag. and 94" diag. screens	1	\$15.00
	87047	Slat for 8, 120" diag., 106" diag. and 109" diag. screens	1	\$17.10
	72401	Slat for 110" diag. and 113" diag. screens	1	\$17.70
	45074	Slat for 9, 119" diag. and 123" diag. screens	1	\$19.20
	35020	Slat for 130" diag. screens	1	\$19.80
	45075	Slat for 10', 150" diag., 133" diag. and 137" diag. screens	1	\$21.00
	45076	Slat for 12', 180" diag., 159" diag. and 164" diag. screens	1	\$25.60
	86844	Slat for 200" diag. screens	1	\$31.40
20	87058	Screw for saddle assy.	8	\$0.27
21	76991	Bail frame for 60", 70", 84" and 96" screens	1	\$3.75
	93855	Pop rivet for D-ring and bail frame for 60", 70", 84" and 96" screens	2	\$0.50
22	45253	D-ring, black	1	\$0.40
23	78259	Saddle assy. for 9', 110" diag., 119" diag., 113" diag. and 123" diag. screens	1	\$29.20
	78260	Saddle assy. for 10', 12', 150" diag., 180" diag., 200" diag., 133" diag., 159" diag., 130" diag., 137" diag. and 164" diag. screens	1	\$36.40
	58253CSR	Pull cord	1	\$3.75
	46083	Bearing, Flanged Plastic O230ID 1 3/4 roller	1	\$0.29
	97319	Hangers and hardware for under 8' screens	1	\$15.75
	97320	Hangers and hardware for 8' and over screens	1	\$23.15
	89461	Carton - 2 x case length + 49.5"	Per foot	\$2.30
	Note #1	For all 3" roller 60", 70", 84", 106" diag., 110" diag., 109" diag. and 113" diag. screens - before 1/27/2020		
	Note #2	For all 8', 9', 8' x 10', 120" diag., 150" diag., 119" diag., 133" diag., 159" diag., 123" diag., 130" diag., 137" diag. and 164" diag. screens		
	Note #3	For all 10' x 10', 12', 180" diag. and 200" diag. screens		
	Note #4	1 3/4" spring assembly for 60"- 96" screens include the CSR		

