

# Confidence Monitor Stand

Models MPS-ACM/MPS-MCM



SPECIFICATION DATA

**SUGGESTED SPECIFICATIONS:** Da-Lite Confidence Monitor model MPS (ACM or MCM), -ACM, -MCM. The stand shall be a fabricated mild steel design and consist of a welded base, welded top frame, two columns, electric tilt mechanism (MPS-ACM only) hydraulic tilt mechanism (MPS-MCM only), and universal plasma mount. The base shall be a MIG welded assembly fabricated with 1½" x 2" x 11 ga and 2" x 2" x 14 ga wall tubing. The top frame shall be a MIG welded assembly fabricated with 1½" x 2" x 11 ga and 2" x 2" x 14 ga wall tubing. Two columns shall be fabricated with 1¾" x 1¾" x 16 ga wall tubing and have

protected openings for cord concealment. The universal monitor mount shall be fabricated from 11ga CR sheet and securely attach to the top frame for vertical adjustment. The automated stand shall use radio frequency remote controlled components that operate on 110V AC 60Hz electric power to control the backward tilt from 15° through 50° from vertical. The manual stand shall use a hand operated hydraulic pump and valve to control the backward tilt from 15° through 50° from vertical. Mount shall have a commercial powder coat black finish.

## Specification Data

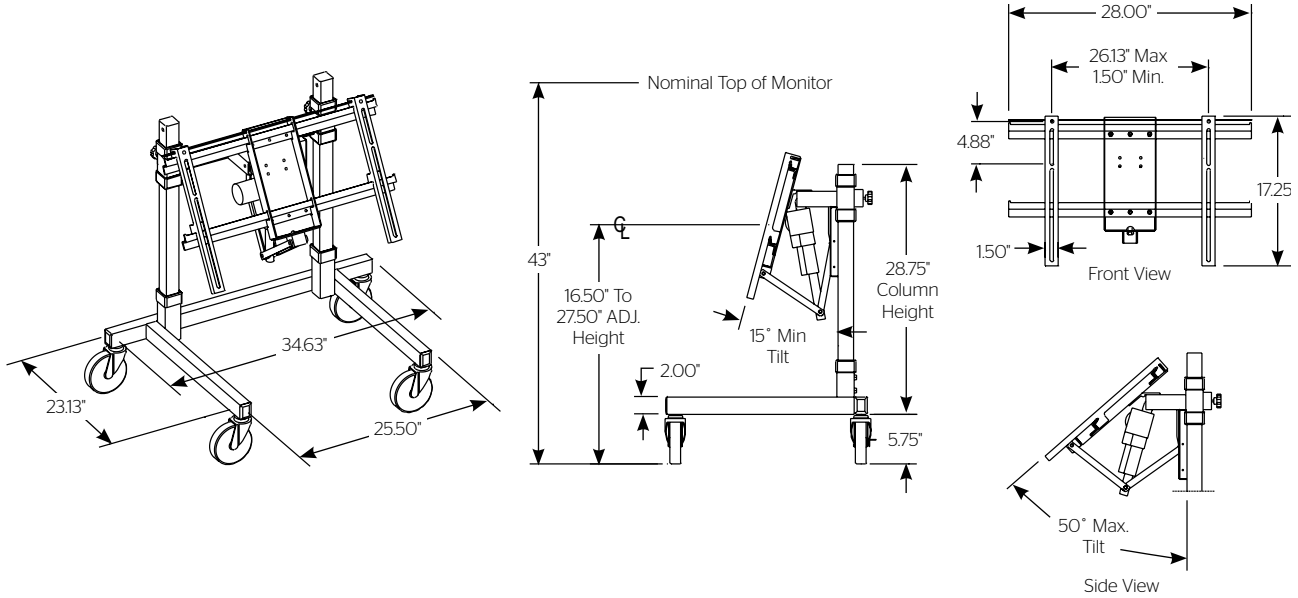
| Model   | Nominal Height to Top of Monitor | Allowable Monitor Mount Points             | Maximum Monitor Weight | Power Supply Required |
|---------|----------------------------------|--|------------------------|-----------------------|
| MPS-ACM | 42"                              | 1¾"-26½" Horizontal<br>And 0"-16" Vertical | 130#                   | 110 VAC 60Hz          |
| MPS-MCM | 42"                              | 1¾"-26½" Horizontal<br>And 0"-16" Vertical | 130#                   | Manual                |

**WHEN ORDERING, MARK APPROPRIATE SELECTIONS:**

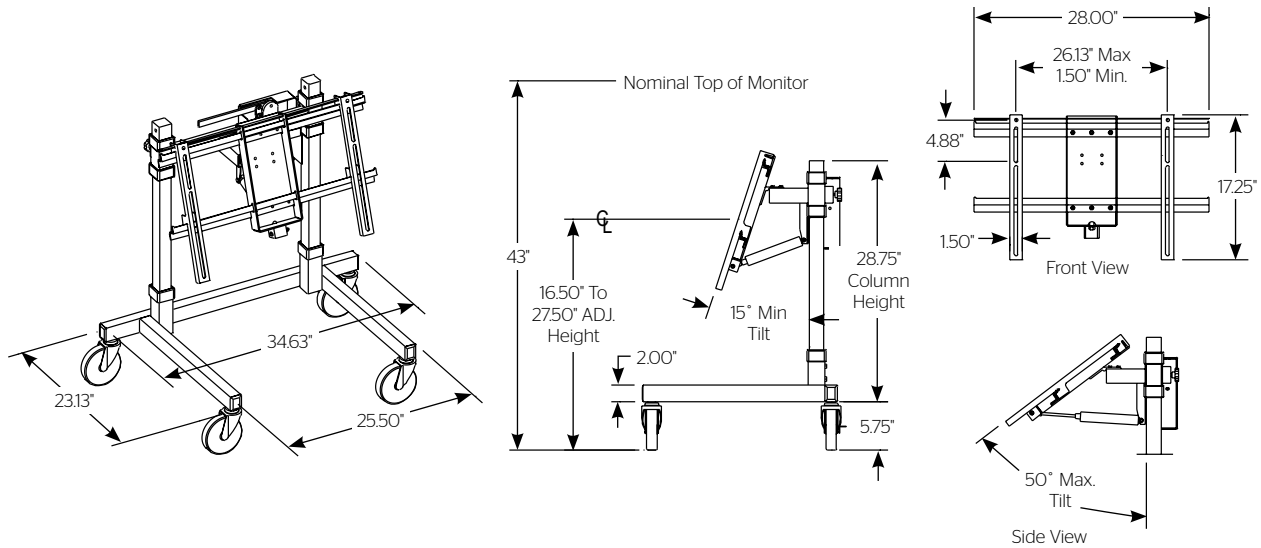
1. Select optional accessories:

- Concealment skirt (black)

**MPS-ACM**



**MPS-MCM**



A Milestone AV Technologies Brand

3100 North Detroit Street  
 Warsaw, Indiana 46582  
 P: 574.267.8101 or 800.622.3737  
 F: 574.267.7804 or 877.325.4832  
 E: info@da-lite.com  
 www.da-lite.com

DL-0358 0514

© 2014 Milestone AV Technologies LLC. Printed in U.S.A.

|                     |              |
|---------------------|--------------|
| Project Name: _____ |              |
| Architect: _____    |              |
| Contractor: _____   | Phone: _____ |
| Reseller: _____     | Phone: _____ |