

Designer Easels

Parts List

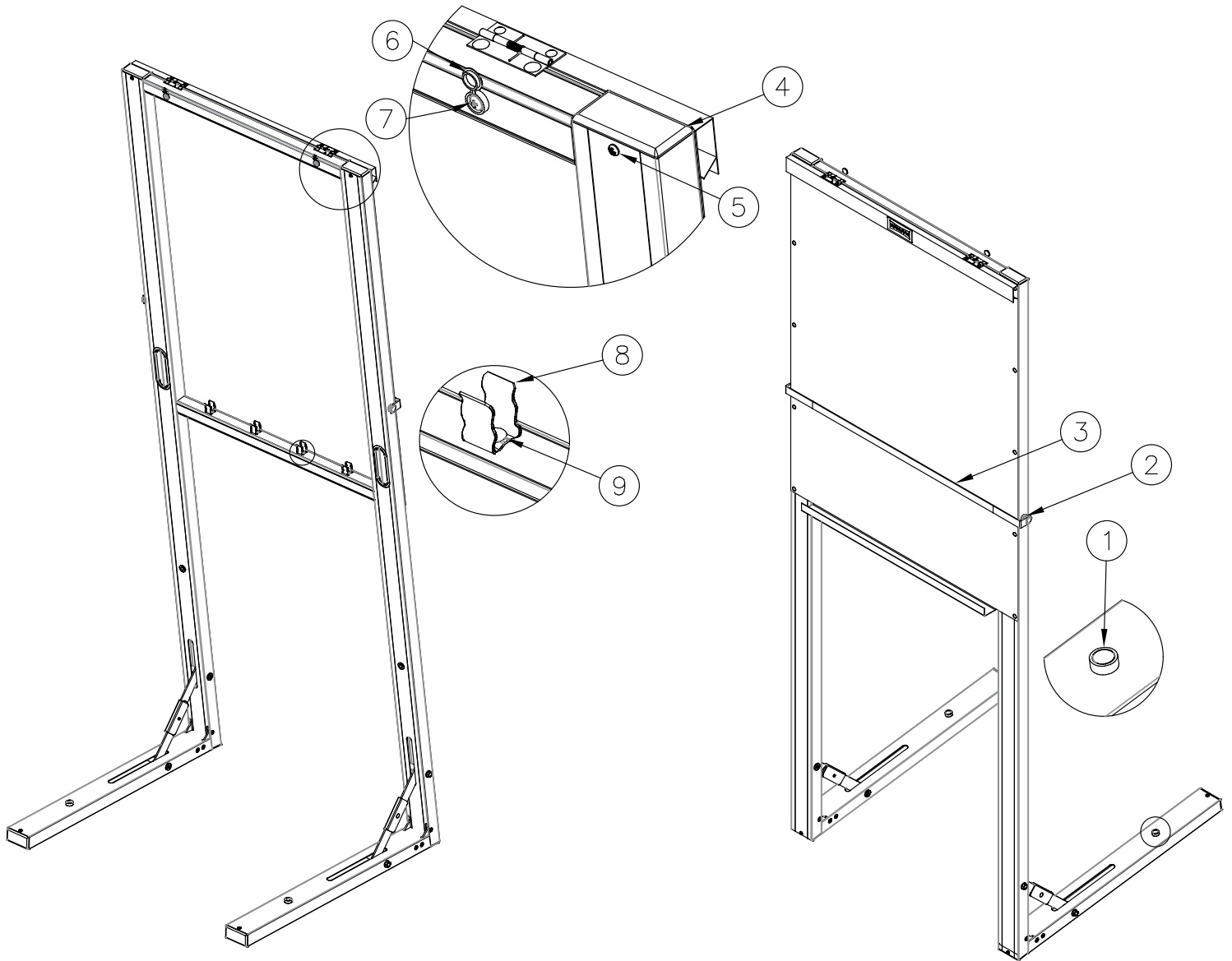


Diagram Number	Da-Lite Number	Description	Quantity Required	List Price Each
1	28791	Magnetic Leg Assy Retro Kit (December 2015 and after)	2	\$27.60
	47441	Snap stud (before December 2015)	2	\$0.59
2	47441	Snap stud	2	\$0.59
3	59059	Paper pad strap assembly	1	\$10.15
4	91775	Plug, black plastic 1.25" x 2.50"	6	\$1.14
5	52703	Screw,#6 black for black easel	10	\$0.09
6	23232	Cover, Hinged #8-10 Screw HD Black	2	\$0.27
7	33633	Screw, Mach 10-32x1.75 PN PH HD Zinc PTC	2	\$1.70
8	51497	Fuse clip	4	\$1.35
9	76291	Screw, #10 x .375	4	\$0.27
	77763	Carton A-frame, non-folding (not shown)	1	\$28.60
	78072	Carton filler, non-folding (not shown)	2	\$4.30

Folding Designer Easels

Parts List

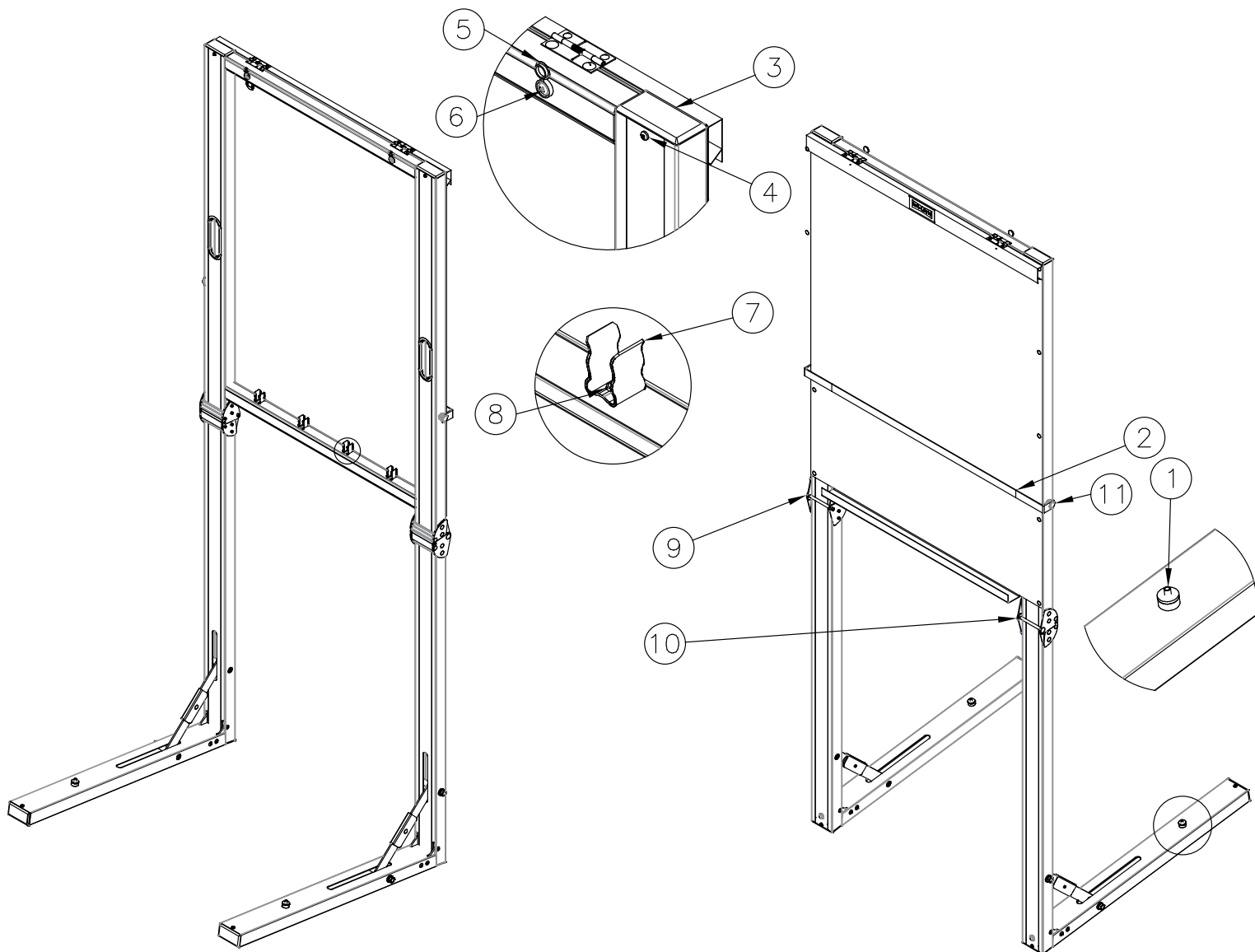


Diagram Number	Da-Lite Number	Description	Quantity Required	List Price Each
1	28791	Magnetic Leg Assy Retro Kit (December 2015 and after)	2	\$2760
	47441	Snap stud (before December 2015)	2	\$0.59
2	59059	Paper pad strap assembly	1	\$1015
3	91775	Plug, black plastic 1.25" x 2.50"	6	\$1.14
4	52703	Screw,#6 black for black easel	10	\$0.09
5	23232	Cover, Hinged #8-10 Screw HD Black	2	\$0.27
6	33633	Screw, Mach 10-32x1.75 PN PH HD Zinc PTC	2	\$1.70
7	51497	Fuse clip	4	\$1.35
8	76291	Screw, #10 x .375	4	\$0.27
9	99148K	Left latch assembly, black for black easel	1	\$43.40
10	99150K	Right latch assembly, black for black easel	1	\$43.40
11	47441	Snap stud	2	\$0.59
	48564	Carton A-frame, folding (not shown)	1	\$25.40
	48565	Carton filler, folding (not shown)	1	\$760