

# D305 Display Easels

Parts List

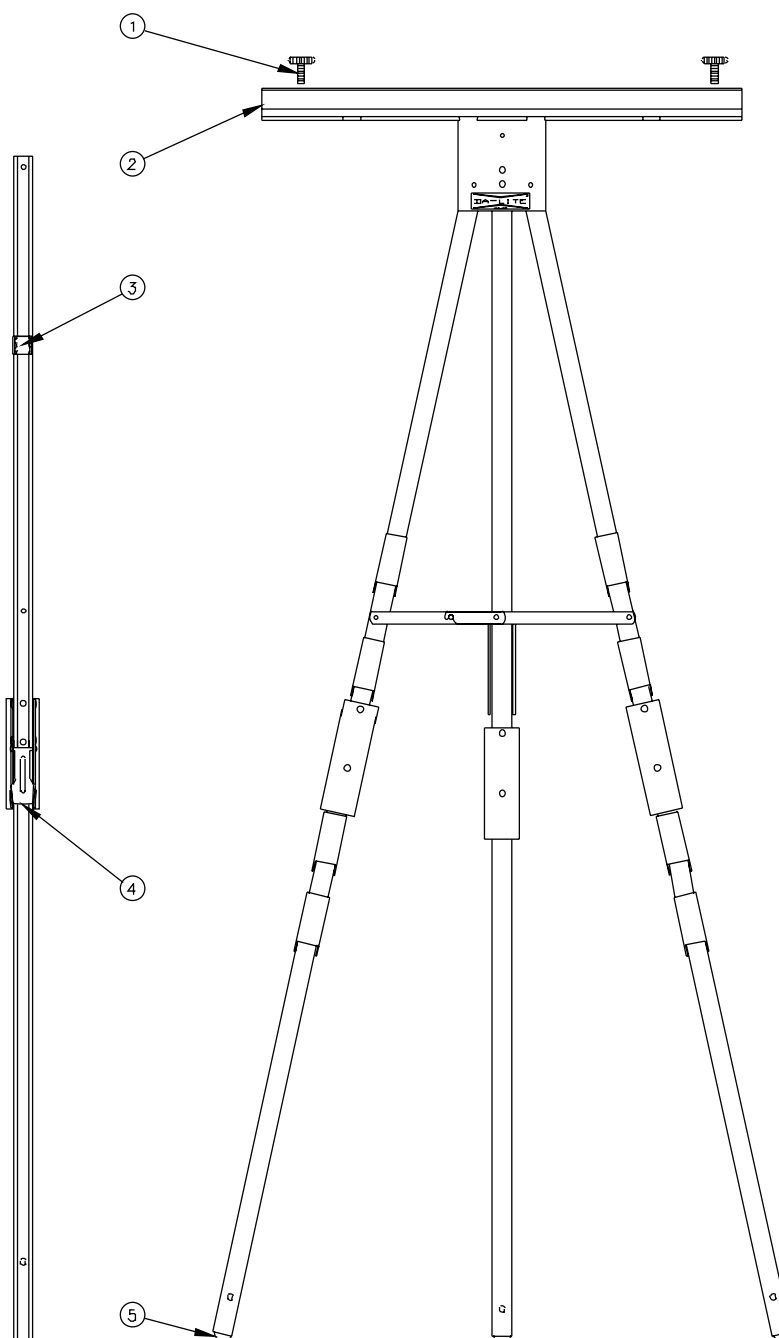


Diagram Number	Da-Lite Number	Description	Quantity Required	List Price Each
1	52605	Black knob	2	\$1.84
2	72053	Paper pad holder, gold (includes #1)	1	\$47.90
	72547	Paper pad holder, black (includes #1)	1	\$47.90
3	52977	Leg locking spring	3	\$0.93
4	52950	Leg release	3	\$0.72
5	52938	Rubber foot	3	\$0.81
	53006	Carton D-305	1	\$8.10
	68544	Carton filler	1	\$1.55