

# D305 Display Easels

Parts List

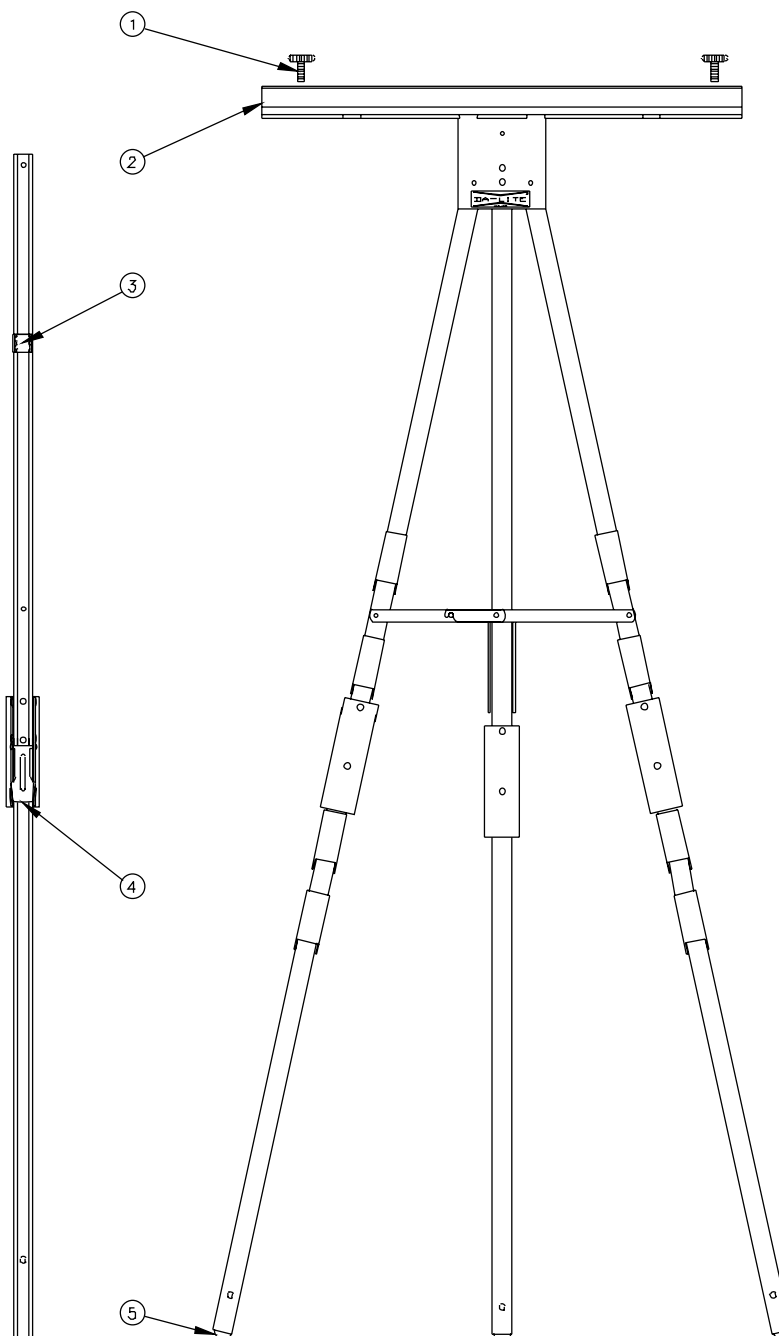


Diagram Number	Da-Lite Number	Description	Quantity Required	List Price Each
1	52605	Black knob	2	\$2.05
2	72547	Paper pad holder, black (includes #1)	1	\$52.80
3	52977	Leg locking spring	3	\$2.50
4	52950	Leg release	3	\$0.80
5	52938	Rubber foot	3	\$1.40
	53006	Carton D-305	1	\$17.00
	68544	Carton filler	1	\$3.50

# H321 & H323 Display Easels

Parts List

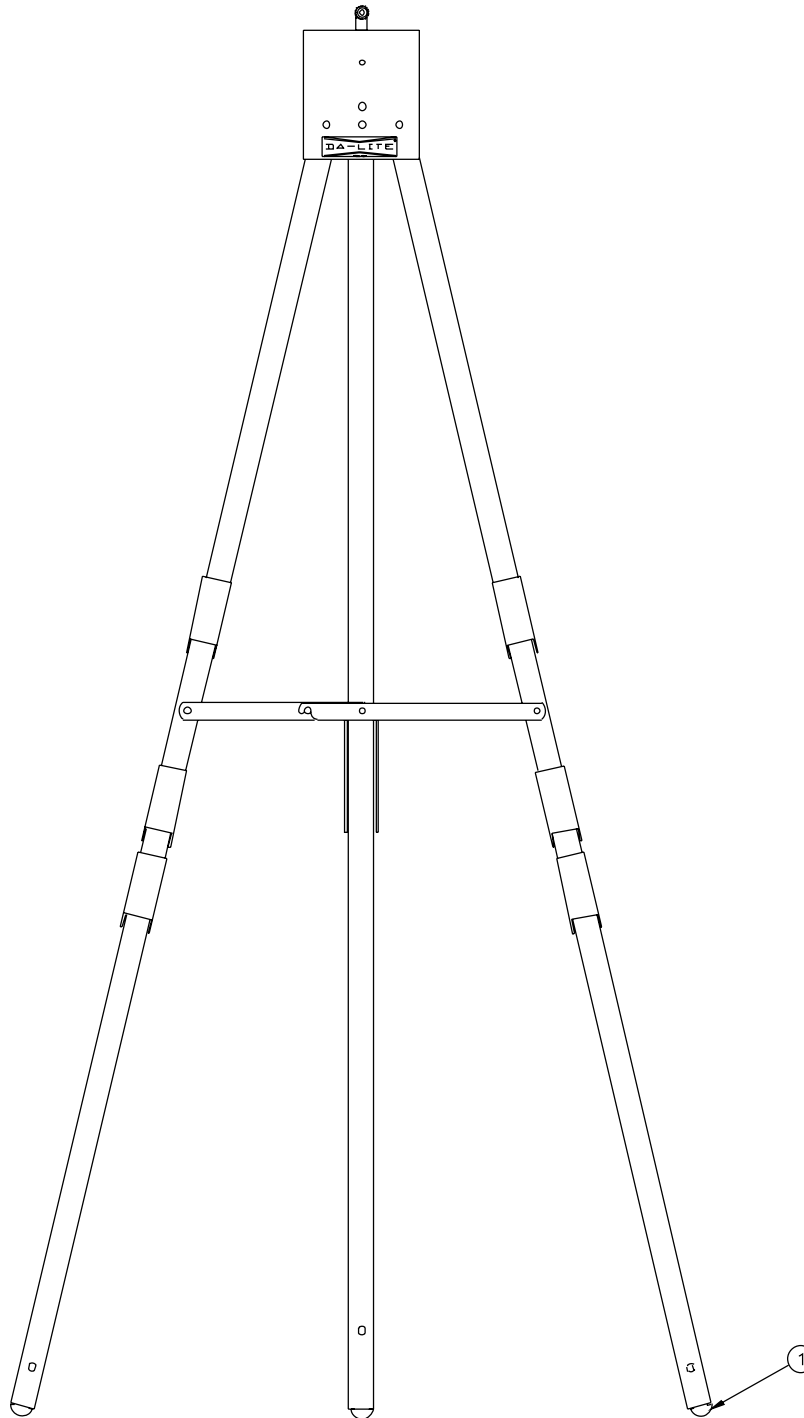


Diagram Number	Da-Lite Number	Description	Quantity Required	List Price Each
1	52938	Rubber foot H321	3	\$1.40
	53411	Rubber foot H323	3	\$1.60
	53151	Carton H321	1	\$11.15
	5596	Carton filler H321	1	\$3.00
	53159	Carton H323	1	\$11.15
	5596	Carton filler H323	1	\$3.00