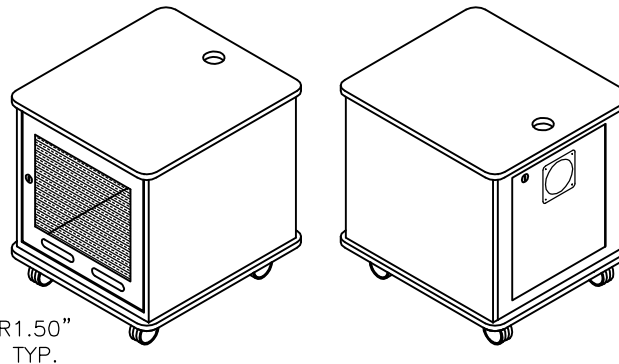
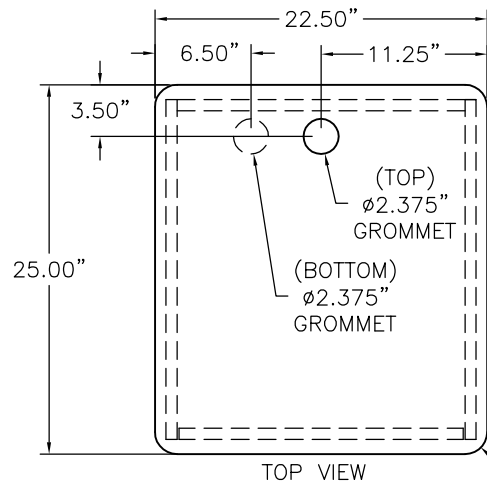
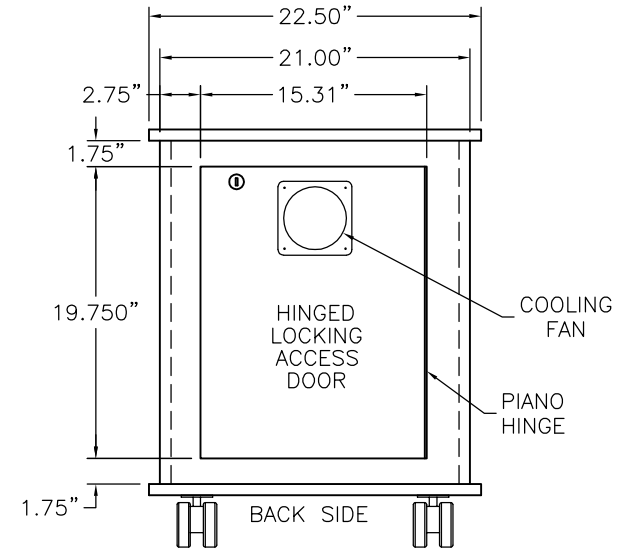
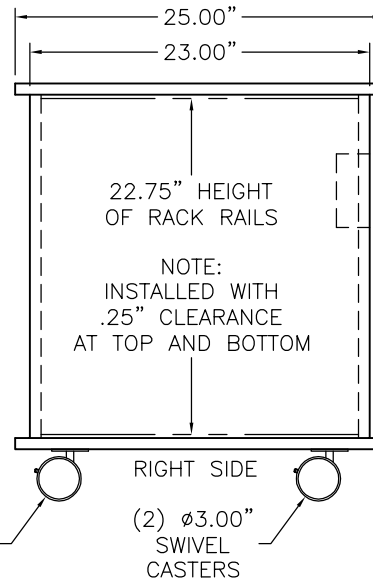
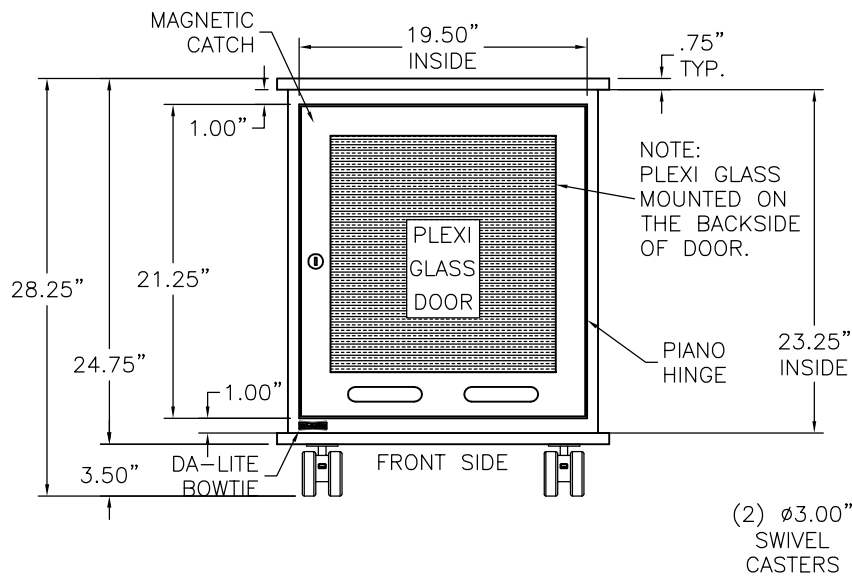


THIS PRINT SUPERSEDES  
ANY PRINT DATED PRIOR TO:  
2-18-11

NO:



NOTE:  
1: PLEXI GLASS DOOR (FRONT SIDE)  
2: 12 RACK SPACES  
3: POWER STRIP (INSIDE BOTTOM BACK)

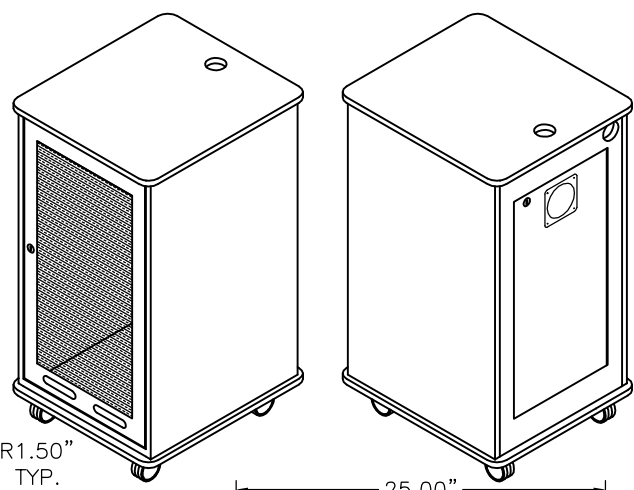
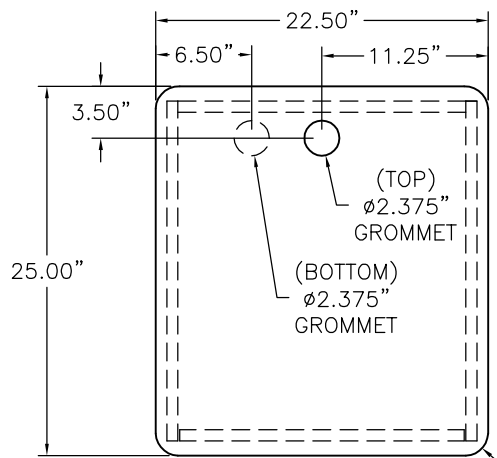


SCALE: 1=13	DRAWN BY: K.L.	DATE: 2-18-11	APP'D BY:	DATE:
FINISH: N/A			CAD	
NAME: CART, EQUIP RACK (12 UNITS)				
DA-LITE SCREEN CO. WARSAW, INDIANA, USA			NO:	

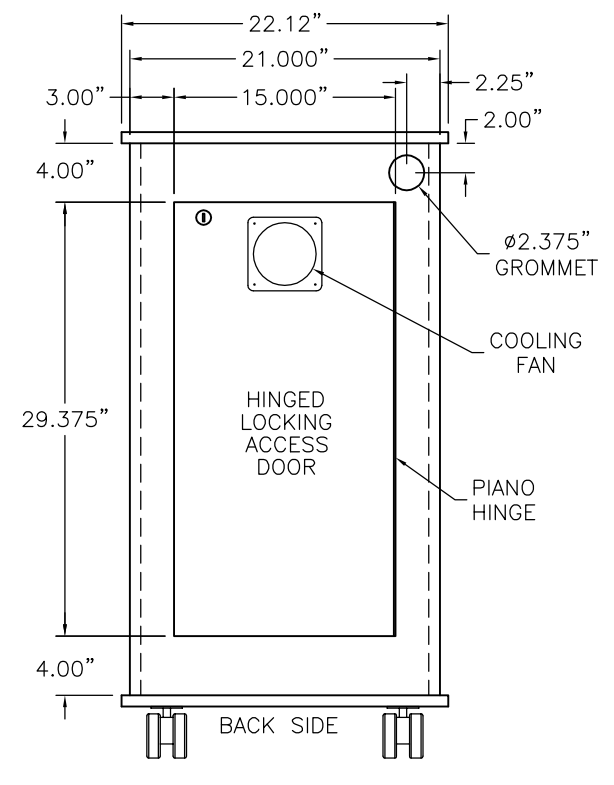
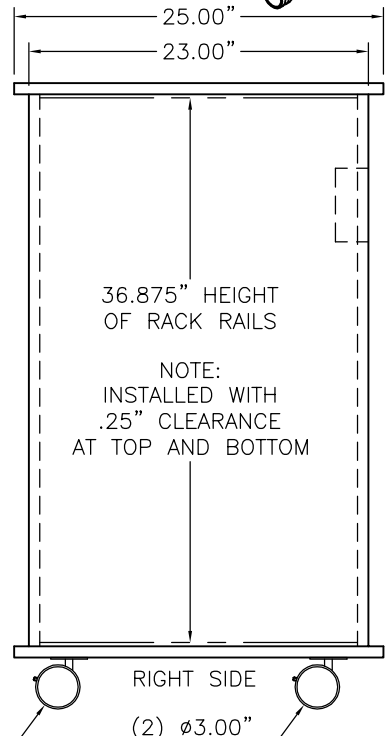
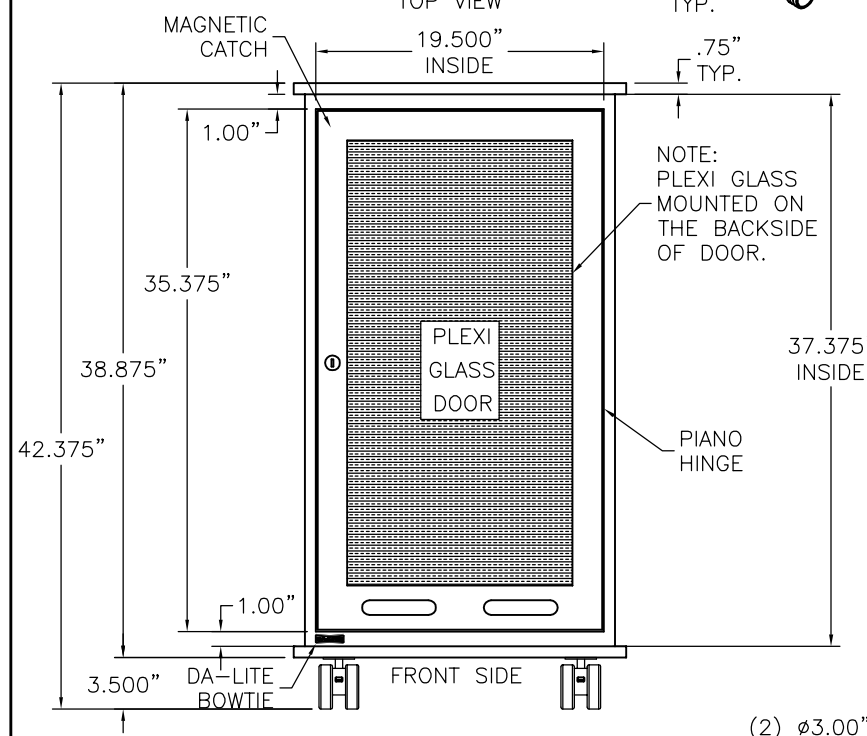
REVISION				
REVISED BY:				
APP'D BY:				

THIS PRINT SUPERSEDES  
ANY PRINT DATED PRIOR TO:  
2-18-11

NO:



NOTE:  
1: PLEXI GLASS DOOR (FRONT SIDE)  
2: 21 RACK SPACES  
3: POWER STRIP (INSIDE BOTTOM BACK)



(2) Ø3.00"  
SWIVEL  
CASTERS

(2) Ø3.00"  
SWIVEL  
CASTERS

SCALE: 1=13 DRAWN BY: K.J.L. DATE: 2-18-11 APP'D BY: DATE:

FINISH: N/A CAD

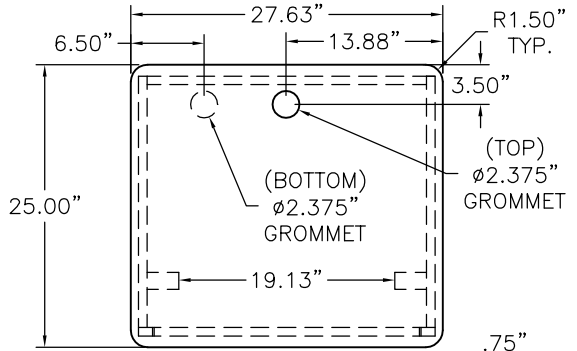
NAME: CART, EQUIP RACK (21 UNITS)

DA-LITE SCREEN CO. NO: WARSAW, INDIANA, USA

REVISION				
REVISED BY:				
APP'D BY:				

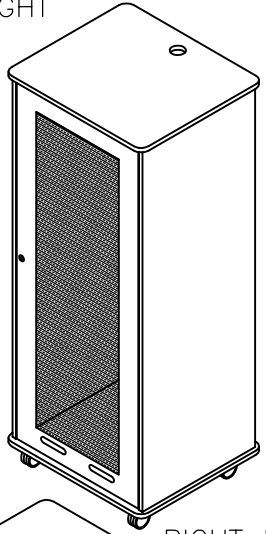
THIS PRINT SUPERSEDES ANY PRINT DATED PRIOR TO:  
2-18-11

NO:

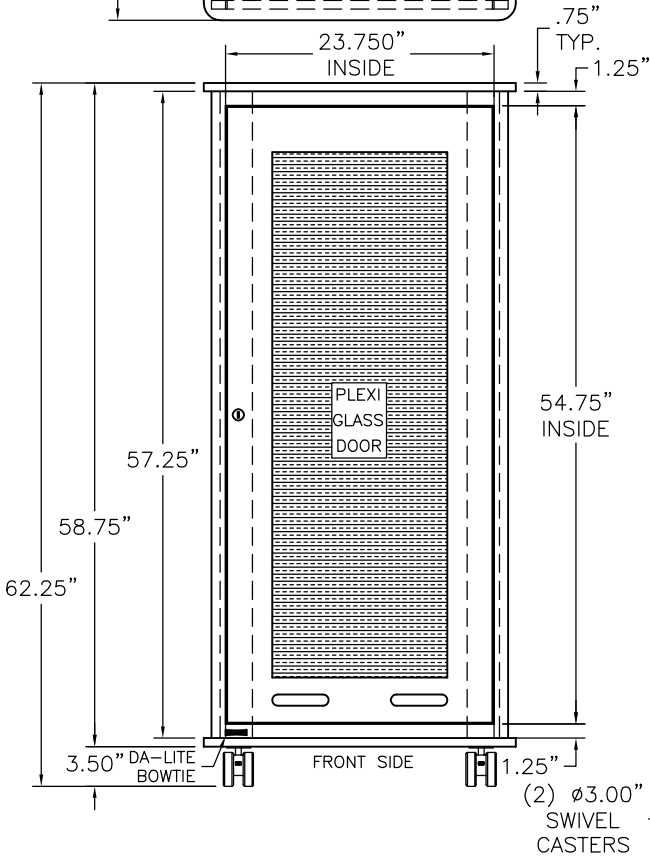
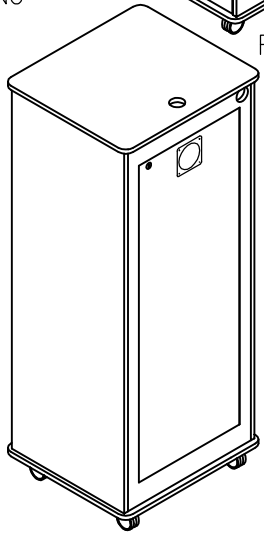


NOTE:  
1: PEXI GLASS DOOR (FRONT SIDE)  
2: 30 RACK SPACES  
3: POWER STRIP (INSIDE BOTTOM BACK)

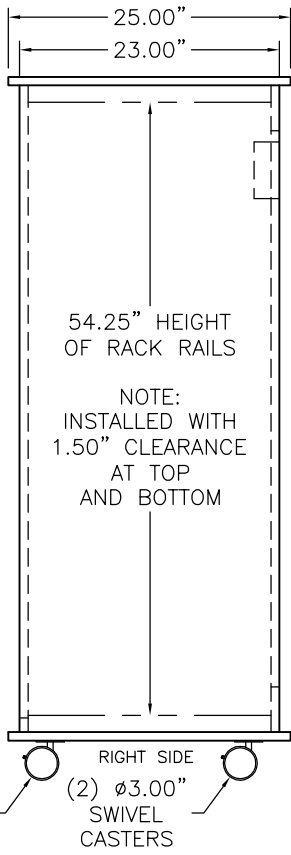
FRONT RIGHT VIEW



RIGHT BACK VIEW

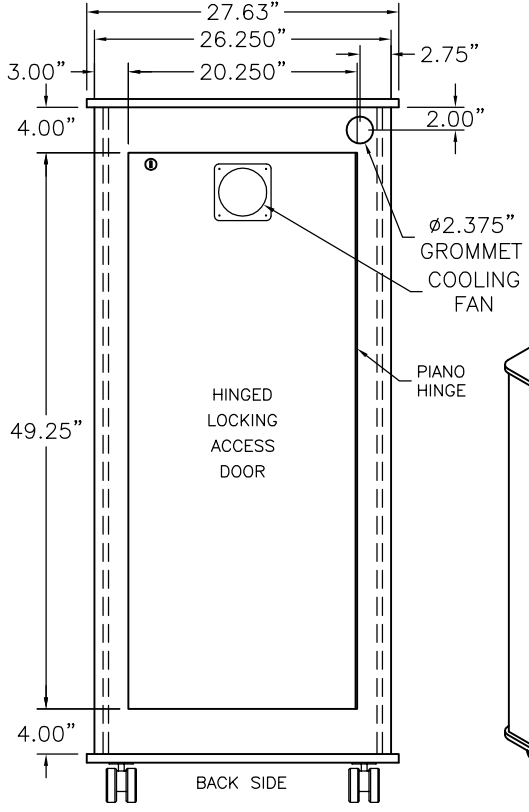


FRONT SIDE



RIGHT SIDE

NOTE:  
INSTALLED WITH 1.50" CLEARANCE AT TOP AND BOTTOM



BACK SIDE

SCALE: 1=17 DRAWN BY: K.J.L. DATE: 2-18-11 APP'D BY: DATE:

FINISH: N/A CAD

NAME: CART, EQUIP RACK (30 UNITS)

DA-LITE SCREEN CO. WARSAW, INDIANA, USA NO:

REVISION			
REVISED BY:			
APP'D BY:			