

Fast-Fold Deluxe

Parts List

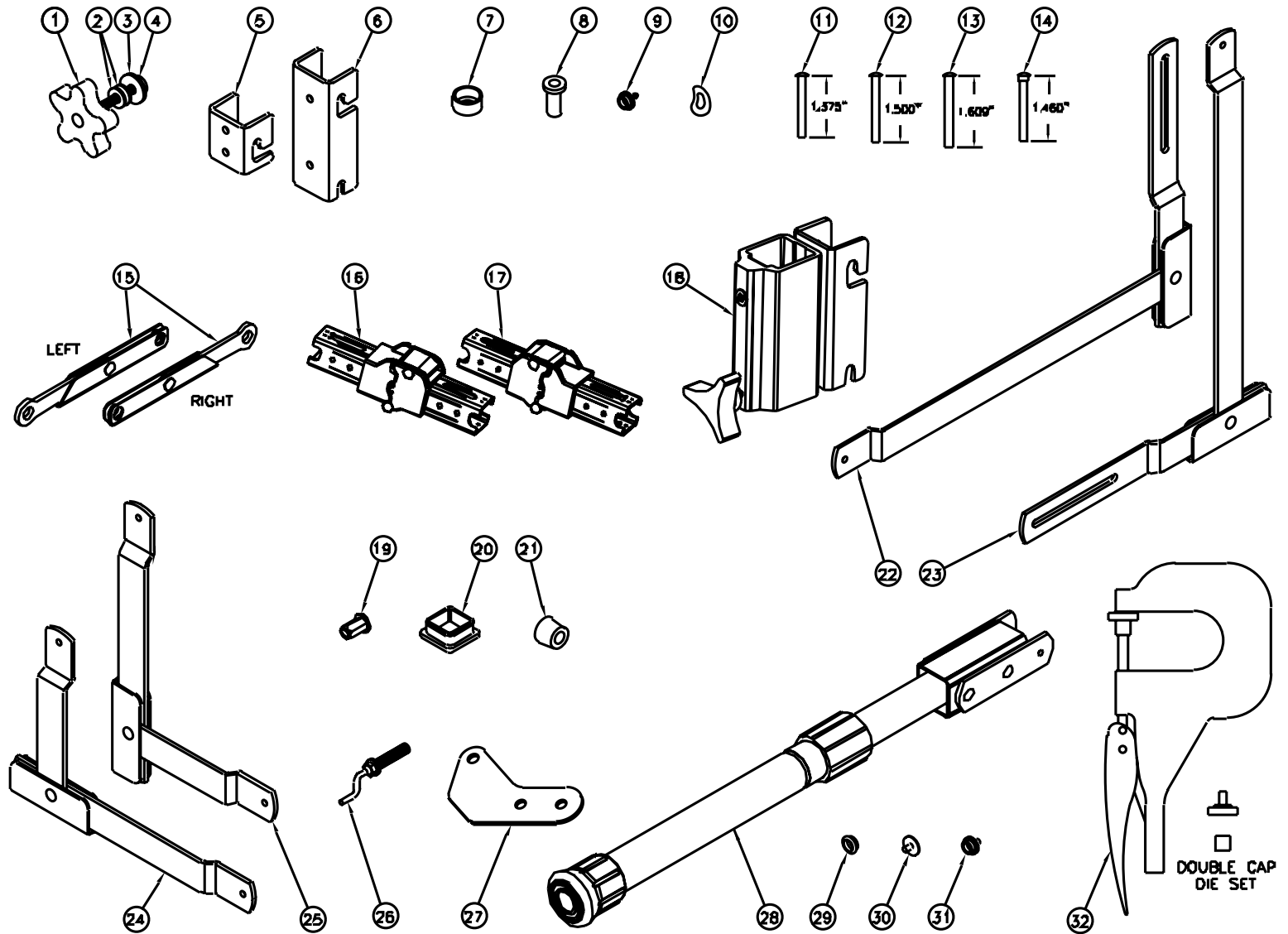


Diagram Number	Da-Lite Number	Description	Quantity Required	List Price Each
1	47274	Knob - used on T-Legs for tilt	1	\$3.50
2	47352	Washer, flat .625OD x .265ID x .047T - used as a spacer on T-Legs	2	\$0.31
3	44842	Washer, flat .921OD x .468ID x .062T - used as a spacer on T-Legs	1	\$0.31
4	93816	Carriage bolt, 1/4 - 20 x 2.25" - used on T-legs for tilt	1	\$0.11
5	89179	Short hanger for wing arms	2	\$6.90
6	89178	Long hanger for valance bar, wing bar and skirt bar sliders	2	\$11.40
7	90982	Rivnut spacer - used between frame and legs	varies	\$0.58
8	47473	Rivnut, steel 5/16-18 long - used on frame for speedy cranks	4-10	\$2.50
9	47441	Snap stud - mounts to frame to snap fabric onto frame	varies	\$0.53
10	44829	Washer, spring .563OD x .195ID x .008T - used in leg brace assembly	1	\$0.21
11	44830	Rivet, .187 x 1.375" long - used to mount hinge/latch assy. to frame	varies	\$0.24
12	88801	Rivet, .187 x 1.500" long - used to mount corner hinge plate to frame	16	\$0.64
13	88802	Rivet, .186 x 1.609" long - used for corner hinge plate assy.	4	\$0.35
14	88901	Rivet, shoulder .238 x 1.504" long - mounts to frame to hook Dressup hardware	10	\$0.43
15	35215L	Corner brace assy, left - used on the frame	2	\$13.20
	35215R	Corner brace assy, right - used on the frame	2	\$13.20
16	36234	Right hinge/latch assy. - used on frame	varies	\$10.20
17	36240	Left hinge/latch assy. - used on frame	varies	\$10.20
18	89175	Skirt bar slider for adjustable skirt bar only	2	\$35.20
19	35167	Rivnut, hex steel 5/16 - 18 long - used for bottom two holes for #7	2	\$3.90
20	88599	Plastic plug, 1.25" square - used on frame and legs	varies	\$0.48
21	47353	Rubber foot for legs and dress up kit hardware	2-6	\$0.43
22	58644	Right leg brace assembly for T-Legs	2	\$15.30
23	58648	Left leg brace assembly for T-Legs	2	\$15.30
24	58659	Right corner brace assembly for leg assy.	2	\$13.50
25	58660	Left corner brace assembly for leg assy.	2	\$13.50
26	89196	Speedy crank, 2.69"	varies	\$6.20
27	91029	Corner hinge plate - used to join frame corner	8	\$0.64
28	89704	Skirt bar steadyrest assembly for 10' or wider skirt with skirt bar	1	\$40.60
	89705	Skirt bar steadyrest assembly for extra long skirt with skirt bar	1	\$40.60
29	47489	Light socket for all fabric snaps except corners	varies	\$0.33
	47490	Heavy socket for dress up kits and corners, black	varies	\$0.33
30	47491	Black cap - used on three sides of fabrics and dress up kits	varies	\$0.33
31	47492	Double cap - used at the bottom of all fabrics	varies	\$0.33
32	76781	Snap tool - used to replace both types of snaps	1	\$260.00