

Fast-Fold Truss

Parts List

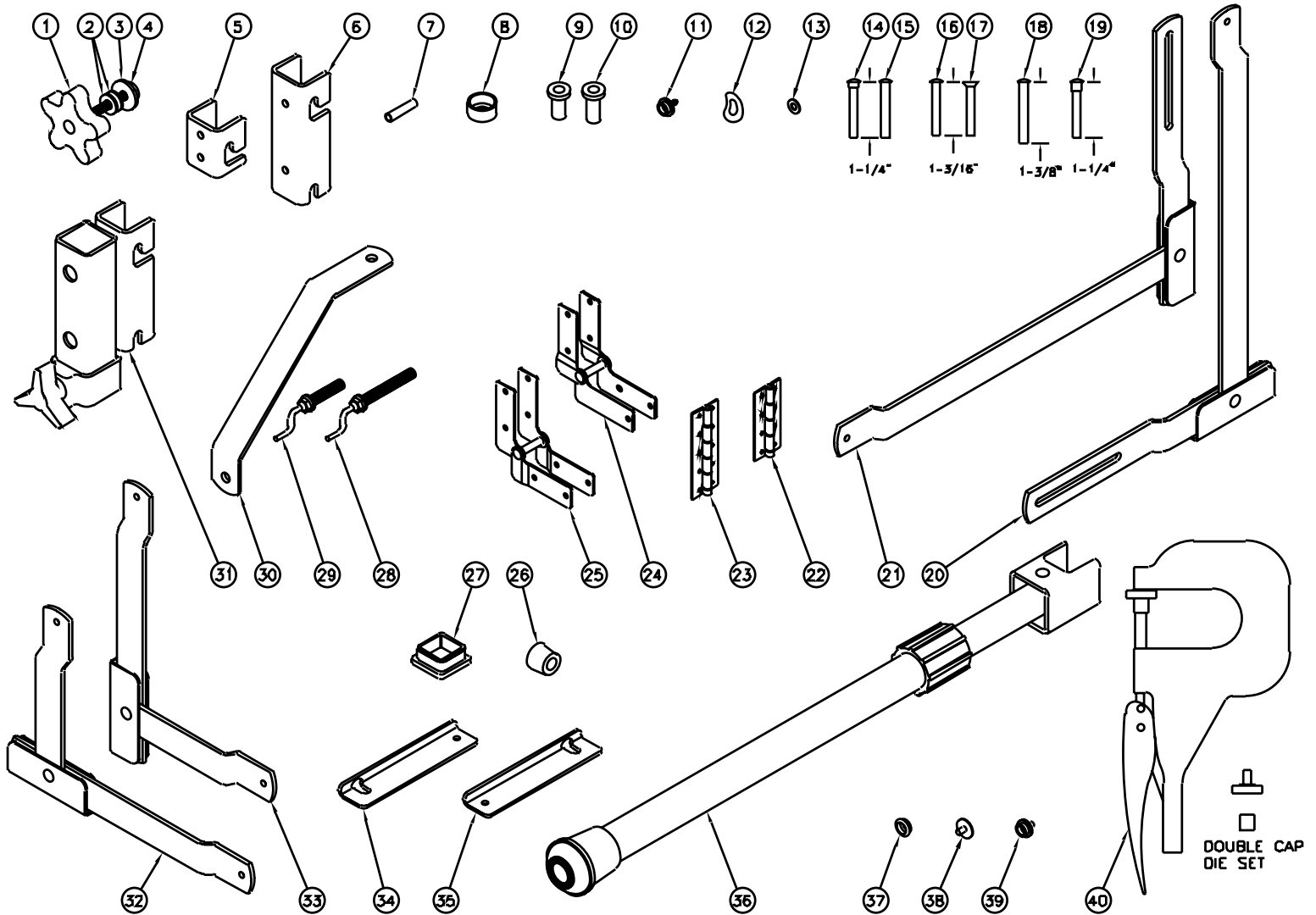


Diagram Number	Da-Lite Number	Description	Quantity Required	List Price Each
1	47274	Knob - used on T-Legs for tilt	8	\$3.50
2	47352	Washer, flat .625OD x .265ID x .047T - used as a spacer on T-Legs	2	\$0.31
3	44842	Washer, flat .921OD x .468ID x .062T - used as a spacer on T-Legs	1	\$0.31
4	44831	Carriage bolt, 1/4 - 20 x 2.00" - used on T-legs for tilt	8	\$0.31
5	47833	Short hanger for wing arms	2	\$6.90
6	47816	Long hanger for valance bar, wing bar and skirt bar sliders	2	\$11.40
7	47349	Spacer, .250OD x .20ID x 1" long - used to assemble hinges	1	\$0.75
8	91019	Rivnut spacer - used between frame and legs	1	\$2.50
9	78454	Rivnut, short steel 5/16 - 18 - used for A-T Legs and truss frames	6	\$1.94
10	47473	Rivnut, steel 5/16 - 18 long - used to screw speedy cranks to frames	10	\$2.50
11	47441	Snap stud - mounts to frame to snap fabric onto frame	varies	\$0.53
12	44829	Washer, spring .563OD x .195ID x .008T - used in leg brace assembly, corner brace assembly, & latches	3	\$0.21
13	47351	Washer, flat .437OD x .203ID x .031T - used in attaching latches to frame	2	\$0.21
14	47350	Rivet, shoulder .184 x 1.25" long - mounts to frame to hook latch	1	\$0.31
15	44828	Rivet, .187 x 1.22" long - used to mount hinge to frame	2	\$0.24
16	44850	Rivet, round .187 x 1.187" long - used to mount truss hinge to frame	3	\$0.24
17	44849	Rivet, flat .187 x 1.187" long - used to mount truss hinge to frame	2	\$0.31
18	44830	Rivet, .187 x 1.375" long - used to assemble hinges (#24 & 25)	1	\$0.24
19	47472	1 - 1/4" shoulder rivet - mounts to frame for drape hardware	4	\$0.48
20	58648	Left leg brace assembly for T-Legs	2	\$15.30
21	58644	Right leg brace assembly for T-Legs	2	\$15.30
22	47262	Piano hinge, 4 - 3/8" long for truss "L" sections	varies	\$8.30
23	47778	Piano hinge, 5 - 3/4" long for truss frames and truss legs	varies	\$10.20
24	58642	Left hinge assembly for all standard frames	5	\$5.10
25	58641	Right hinge assembly for all standard frames	5	\$5.10
26	47353	Rubber foot for legs and dress up kit hardware	2-6	\$0.43
27	47354	Plastic plugs for legs	1-3	\$0.40
28	40902	Long speedy crank for T and A-T Legs and back brace for truss	3	\$6.20
29	58656	Short speedy crank for "L" sections	varies	\$6.20
30	47802	Truss frame brace-used on 25' or longer truss to attach "L" sections	10	\$11.40
31	58866	Skirt bar slider for adjustable skirt bar only	2	\$35.20
32	58659	Right corner brace assembly for frame corners, truss legs and A-T Legs	2	\$13.50
33	58660	Left corner brace assembly for frame corners, truss legs and A-T Legs	2	\$13.50
34	47358	Right latch used on frames on bottom and right	5	\$2.70
35	47361	Left latch used on frames on top and left	5	\$2.70
36	59049	Skirt bar steadyrest assembly for 10' or wider skirt with skirt bar	1	\$40.60
	59050	Skirt bar steadyrest assembly for extra long skirt with skirt bar	1	\$40.60
37	47489	Light socket for all fabric snaps except corners	varies	\$0.33
	47490	Heavy socket for dress up kits and corners, black	varies	\$0.33
38	47491	Black cap - used on three sides of fabrics and dress up kits	varies	\$0.33
39	47492	Double cap - used at the bottom of all fabrics	varies	\$0.33
40	76781	Snap tool - used to replace both types of snaps	1	\$260.00