

# Fast-Fold Truss

## Parts List

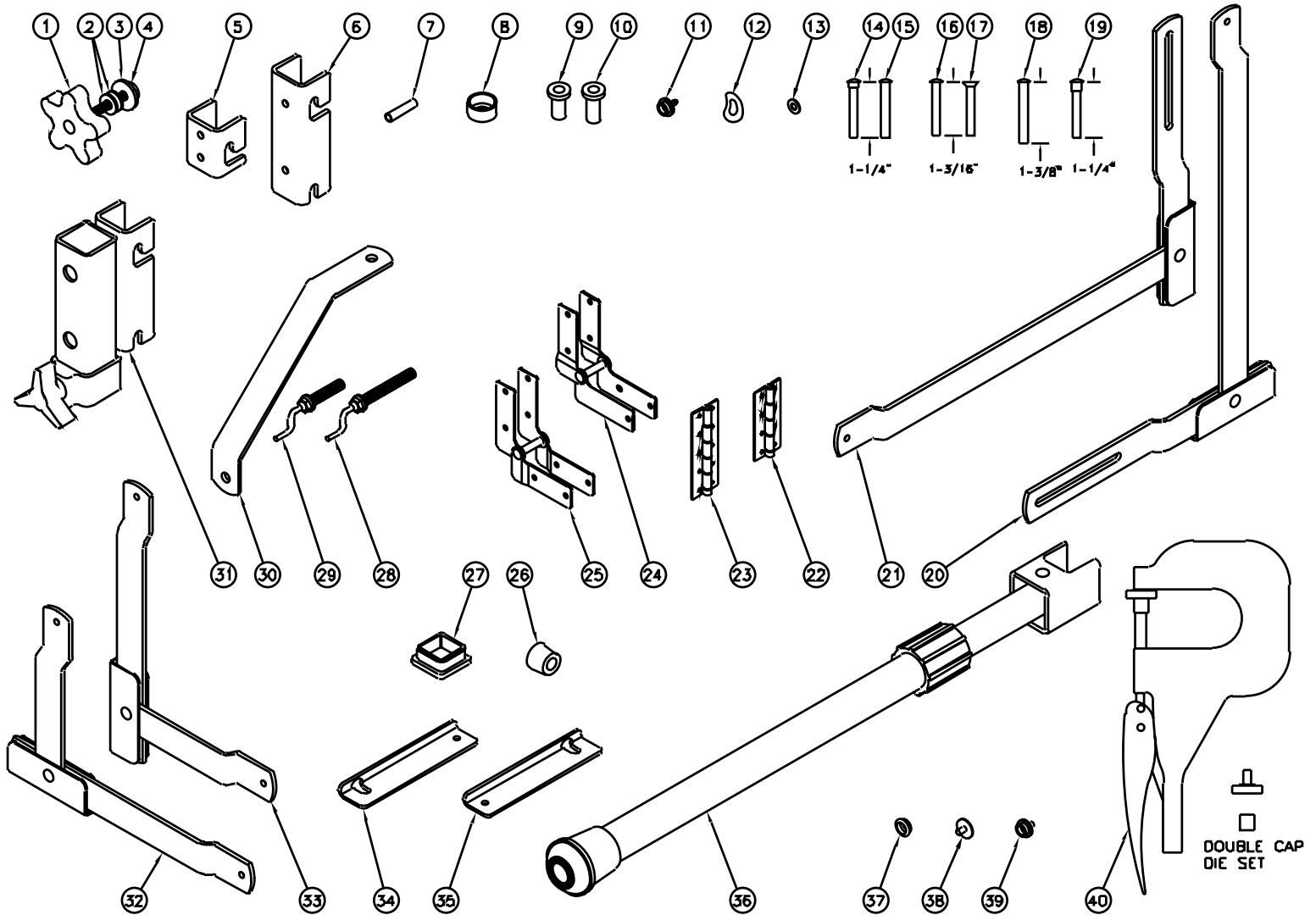


Diagram Number	Da-Lite Number	Description	Quantity Required	List Price Each
1	47274	Knob - used on T-Legs for tilt	8	\$3.90
2	47352	Washer, flat .625OD x .265ID x .047T - used as a spacer on T-Legs	2	\$0.35
3	44842	Washer, flat .921OD x .468ID x .062T - used as a spacer on T-Legs	1	\$0.35
4	44831	Carriage bolt, 1/4 - 20 x 2.00" - used on T-legs for tilt	8	\$0.35
5	47833	Short hanger for wing arms	2	\$7.60
6	47816	Long hanger for valance bar, wing bar and skirt bar sliders	2	\$12.55
7	47349	Spacer, .250OD x .20ID x 1" long - used to assemble hinges	1	\$0.83
8	91019	Rivnut spacer - used between frame and legs	1	\$2.80
9	78454	Rivnut, short steel 5/16 - 18 - used for A-T Legs and truss frames	6	\$2.15
10	47473	Rivnut, steel 5/16 - 18 long - used to screw speedy cranks to frames	10	\$2.80
11	47441	Snap stud - mounts to frame to snap fabric onto frame	varies	\$0.59
12	44829	Washer, spring .563OD x .195ID x .008T - used in leg brace assembly, corner brace assembly, & latches	3	\$0.23
13	47351	Washer, flat .437OD x .203ID x .031T - used in attaching latches to frame	2	\$0.23
14	47350	Rivet, shoulder .184 x 1.25" long - mounts to frame to hook latch	1	\$0.35
15	44828	Rivet, .187 x 1.22" long - used to mount hinge to frame	2	\$0.26
16	44850	Rivet, round .187 x 1.187" long - used to mount truss hinge to frame	3	\$0.26
17	44849	Rivet, flat .187 x 1.187" long - used to mount truss hinge to frame	2	\$0.35
18	44830	Rivet, .187 x 1.375" long - used to assemble hinges (#24 & 25)	1	\$0.26
19	47472	1 - 1/4" shoulder rivet - mounts to frame for drape hardware	4	\$0.53
20	58648	Left leg brace assembly for T-Legs	2	\$16.85
21	58644	Right leg brace assembly for T-Legs	2	\$16.85
22	47262	Piano hinge, 4 - 3/8" long for truss "L" sections	varies	\$18.00
23	47778	Piano hinge, 5 - 3/4" long for truss frames and truss legs	varies	\$11.25
24	58642	Left hinge assembly for all standard frames	5	\$5.60
25	58641	Right hinge assembly for all standard frames	5	\$5.60
26	47353	Rubber foot for legs and dress up kit hardware	2-6	\$0.47
27	47354	Plastic plugs for legs	1-3	\$0.44
28	40902	Long speedy crank for T and A-T Legs and back brace for truss	3	\$7.50
29	58656	Short speedy crank for "L" sections	varies	\$7.50
30	47802	Truss frame brace-used on 25' or longer truss to attach "L" sections	10	\$12.55
31	----	Skirt bar slider for adjustable skirt bar only - No longer available, discontinued	2	----
32	58659	Right corner brace assembly for frame corners, truss legs and A-T Legs	2	\$14.90
33	58660	Left corner brace assembly for frame corners, truss legs and A-T Legs	2	\$14.90
34	47358	Right latch used on frames on bottom and right	5	\$3.00
35	47361	Left latch used on frames on top and left	5	\$3.00
36	----	Skirt bar steadyrest assembly - No longer available, discontinued	1	----
37	47489	Light socket for all fabric snaps except corners	varies	\$0.37
	47490	Heavy socket for dress up kits and corners, black	varies	\$0.37
38	47491	Black cap - used on three sides of fabrics and dress up kits	varies	\$0.37
39	47492	Double cap - used at the bottom of all fabrics	varies	\$0.37
40	76781	Snap tool - used to replace both types of snaps	1	\$287.00