

Polacoat® Flex Plex

Rear Projection Screens



SPECIFICATION DATA

SUGGESTED SPECIFICATIONS: _____ projection screen(s).
 _____ (H) x _____ (W). Rear projection screen(s) shall be Da-Lite's Polacoat® In-Wall Flex Plex, Type DA-100, DA-150, DA-180, DA-230, DA-50WA, DA-75WA, DA-100WA or Video Vision optical coating in thicknesses of 1/8". The screen substrate shall be clear acrylic plastic. The substrate shall have an optical coating on one surface not exceeding .004" in thickness. The overall size of the acrylic panels shall be as detailed with tolerances of +/- .0625". Screen frame will be 1" wide x 7/8" deep extruded aluminum in black anodized finish with an aluminum pressure bar and set screws to secure the substrate along with included rubber edge trim. T-track will be 1/2" wide x 3/4" deep extruded

aluminum in black anodized finish and is used as the anchor point to attach the finished screen to the frame insert in a wall. The screen frame and T-track are attached to each other by tensioning assemblies comprised of black anodized steel bolts and binding nuts. Flex Plex to include a 3/4" wide black rigid polyvinyl chloride trim that attaches to the T-track as an aesthetic treatment to complete the product installation.

NOTES:

Flex Plex rear projection screens shall be mounted with the coated surface toward the audience.

Flex Plex screens cannot be cut in the field.

HDTV (16:9) Format Dimensions

Viewing Area (H x W)		Nominal Diagonal		Wall Opening (H x W)		Approximate Net Weight		Approximate Ship Weight		Approximate Ship Dimensions (L x W x H)	
In.	Cm.	In.	Cm.	In.	Cm.	Lbs.	Kg.	Lbs.	Kg.	In.	Cm.
45" x 80"	114 x 203	92"	234	50" x 85"	127 x 216	48	21.8	172	78.0	53½" x 34" x 38"	136 x 86 x 97
52" x 92"	132 x 234	106"	269	57" x 97"	145 x 246	64	29.0	228	103.4	60½" x 34" x 38"	154 x 86 x 97
58" x 104"	147 x 264	119"	302	63" x 109"	160 x 277	81	36.7	288	130.6	66½" x 34" x 38"	169 x 86 x 97
65" x 116"	165 x 295	133"	338	70" x 121"	178 x 307	101	45.8	360	163.3	73½" x 34" x 38"	187 x 86 x 97
78" x 139"	198 x 353	159"	404	83" x 144"	211 x 366	145	65.8	517	234.5	86½" x 34" x 38"	220 x 86 x 97
94½" x 168"	240 x 427	193"	490	99½" x 173"	253 x 439	212	96.2	757	343.4	103" x 34" x 38"	262 x 86 x 97

Wide (16:10) Format Dimensions

Viewing Area (H x W)		Nominal Diagonal		Wall Opening (H x W)		Approximate Net Weight		Approximate Ship Weight		Approximate Ship Dimensions (L x W x H)	
In.	Cm.	In.	Cm.	In.	Cm.	Lbs.	Kg.	Lbs.	Kg.	In.	Cm.
50" x 80"	127 x 203	94"	239	55" x 85"	140 x 216	54	24.5	191	86.6	58½" x 34" x 38"	149 x 86 x 97
57½" x 92"	146 x 234	109"	277	62½" x 97"	159 x 246	71	32.2	253	114.8	66" x 34" x 38"	168 x 86 x 97
60" x 96"	152 x 244	113"	287	65" x 101"	165 x 257	77	34.9	275	124.7	68½" x 34" x 38"	174 x 86 x 97
65" x 104"	165 x 264	123"	312	70" x 109"	178 x 277	91	41.3	323	146.5	73½" x 34" x 38"	187 x 86 x 97
69" x 110"	175 x 279	130"	330	74" x 115"	188 x 292	102	46.3	362	164.2	77½" x 34" x 38"	197 x 86 x 97
72½" x 116"	184 x 295	137"	348	77½" x 121"	197 x 307	113	51.3	401	181.9	81" x 34" x 38"	206 x 86 x 97
87" x 139"	221 x 353	164"	417	92" x 144"	234 x 366	162	73.5	577	261.7	95½" x 34" x 38"	243 x 86 x 97

PRODUCT NOTES

- Custom formats and sizes available upon request. Contact Da-Lite for feasibility.
- Maximum size: 103"H x 298"W (2.6 x 7.5m) viewable area.
- Not recommended for short throw or ultra-short throw projection (1.0:1 or less projector lenses).

WHEN ORDERING, MARK APPROPRIATE SELECTIONS:

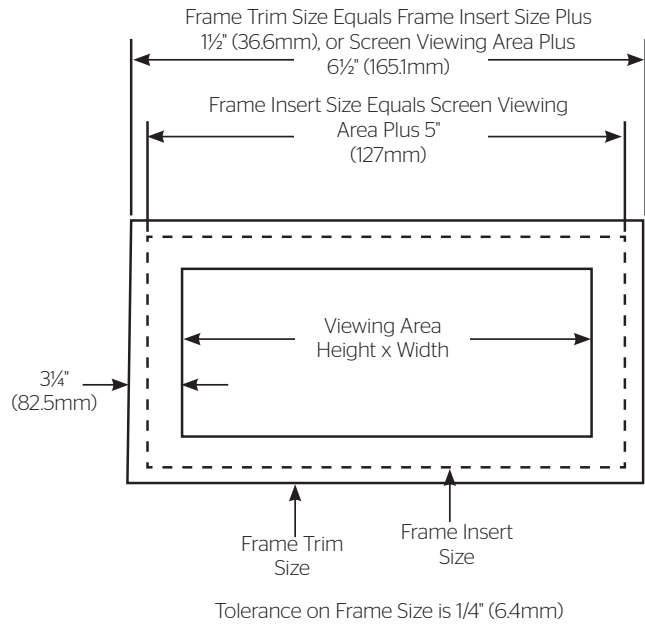
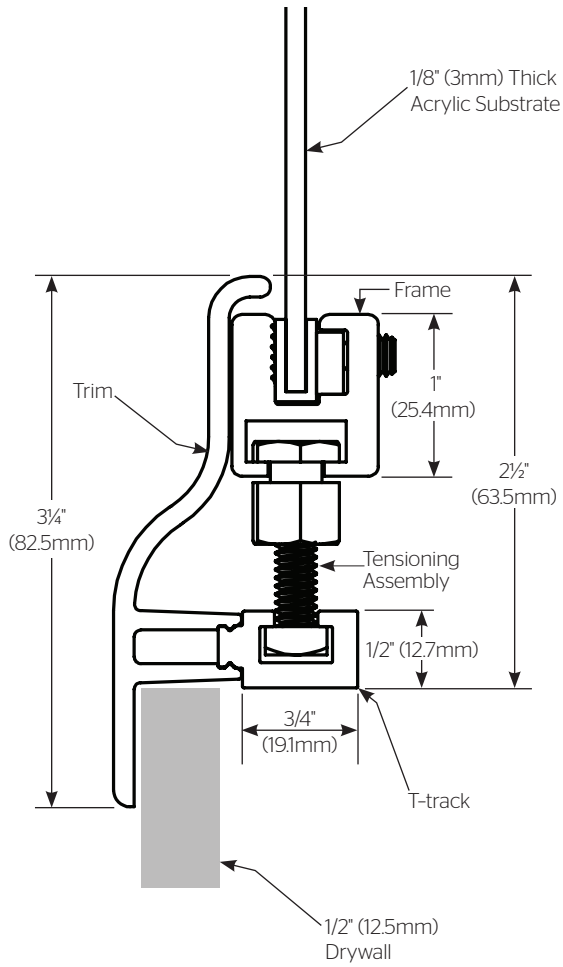
1. Select optical coating:

- | | |
|-----------------------------------|---------------------------------------|
| <input type="checkbox"/> DA-50WA | <input type="checkbox"/> DA-150 |
| <input type="checkbox"/> DA-75WA | <input type="checkbox"/> DA-180 |
| <input type="checkbox"/> DA-100WA | <input type="checkbox"/> DA-230 |
| <input type="checkbox"/> DA-100 | <input type="checkbox"/> Video Vision |
| <input type="checkbox"/> DA-130 | |

2. Select options:

- High contrast tint (not available on Video Vision or Wide Angle Coatings)

Frame and Trim



FOR YOUR IMAGE | legrandav.com

USA P 866.977.3901 E info@da-lite.com
 CANADA P 877.345.4329 E canadainfo@milestone.com
 EMEA P +31 495 580 840 E emea.sales@milestone.com
 APAC P +852 2145 4099 E asia.da-lite@milestone.com

In British Columbia, Milestone AV Technologies ULC carries on business as MAVT Milestone AV Technologies ULC.

©2018 Milestone AV Technologies. DL-0629 (Rev. 6) 12/18 Da-Lite is a registered trademark of Milestone AV Technologies. All other brand names or marks are used for identification purposes and are trademarks of their respective owners. All patents are protected under existing designations. Other patents pending.

Project Name: _____
 Architect: _____
 Contractor: _____ Phone: _____
 Reseller: _____ Phone: _____