



INSTRUCTION MANUAL
Floor Model C and Stand



Operating Instructions Floor Model C and Stand

For 6' Height: Pull out springlock (9), then raise upper handle (10) until springlock locks securely at 1st position.

For 7' Height: Raise upper handle (10) until springlock locks securely at 2nd position.

For 8' Height: Raise upper handle (10) until springlock locks securely at 3rd position.

For 8 1/2' Height: Raise upper handle (10) until springlock locks securely at 4th position.

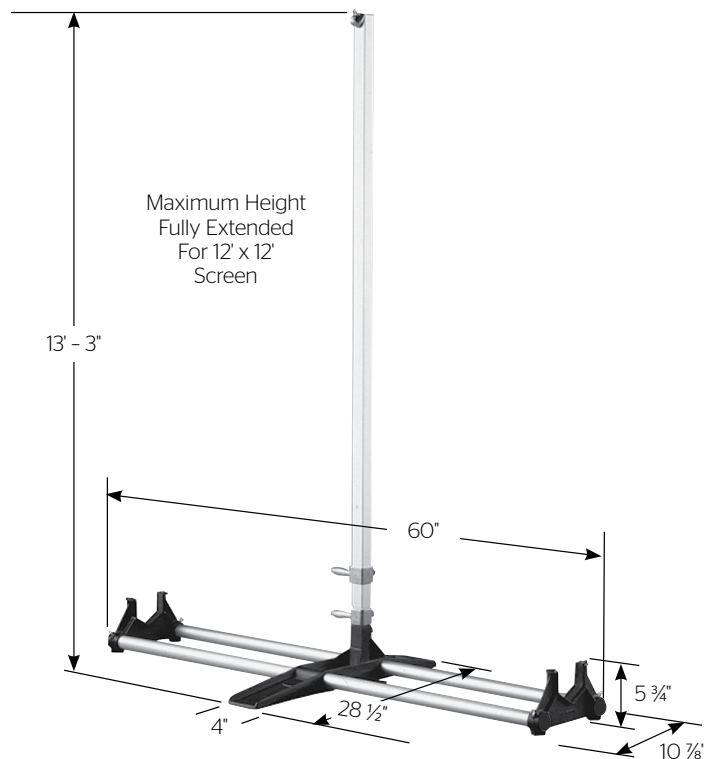
For 9' Height: Raise upper handle (10) until springlocks securely at 4th position. Then raise lower handle (11) until springlock locks securely at 2nd position.

For 10' Height: Raise upper handle (10) until springlocks securely at 4th position. Then raise lower handle (11) until springlock locks securely at 3rd position.

For 12' Height: Raise upper handle (10) until springlocks securely at 4th position. Then raise lower handle (11) until springlock locks securely at 6th position.

To Close Stand

Release lower handle (11) to bottom position, then release upper handle (10) to bottom position.



LIMITED ONE YEAR WARRANTY ON DA-LITE PRESENTATION PRODUCTS

Legrand AV Inc. warrants certain Da-Lite branded products to the original purchaser only, to be free from defects in materials and workmanship for a period of one (1) year from the date of purchase by the original purchaser; provided they are properly operated according to Da-Lite's instructions and are not damaged due to improper handling or treatment after shipment from the factory.

Limited one-year warranty applies to the following products:

Cut-to-Size Screen Surface, Lace & Grommet Screen Surface, Series 200 Lace & Grommet Frame, Series 300 Lace & Grommet Frame, Advantage Manual with CSR, Model C, Model C with CSR, Floor Model C, Carpeted Floor Model C, Designer Contour Manual with CSR, Model B®, Model B with CSR, Scenic Roller, Heavy Duty-Fast-Fold Deluxe, Heavy Duty-Fast-Fold Deluxe Drapery Kits, Fast-Fold Truss, Fast-Fold Truss Drapery Kits, Pipe & Drapery Background System, Picture King®, Carpeted Picture King, Versatol®, Deluxe Insta-Theater®, Concord Lectern, Lexington Lectern, Equipment Rack Cart, PixMate Plastic Cart, Confident Monitor Stand, Project-O-Stand, Paper Pad Easel, A-Frame Easel, Designer Easel, and Display Easel.

This warranty does not apply to equipment showing evidence of misuse, abuse or accidental damage, or which has been tampered with or repaired by a person other than authorized Da-Lite personnel.

Da-Lite's sole obligation under this warranty shall be to repair or to replace (at Da-Lite's option) the defective part of the merchandise. Returns for service should be made to your Da-Lite dealer. If it is necessary for the dealer to return the screen or part to Da-Lite, transportation expenses to and from Da-Lite are payable by the purchaser and Da-Lite is not responsible for damage in shipment. To protect yourself against damage or loss in transit, insure the product and prepay all transportation expenses.

TO THE MAXIMUM EXTENT PERMITTED BY APPLICABLE LAW, THIS WARRANTY IS IN LIEU OF ALL OTHER WARRANTIES, EXPRESS OR IMPLIED, INCLUDING WARRANTIES AS TO FITNESS FOR USE AND MERCHANTABILITY. Any implied warranties of fitness for use, or merchantability, that may be mandated by statute or rule of law are limited to the one (1) year warranty period. This warranty gives you specific legal rights, and you may also have other rights, which vary from state-to-state. **TO THE MAXIMUM EXTENT PERMITTED BY APPLICABLE LAW, NO LIABILITY IS ASSUMED FOR EXPENSES OR DAMAGES RESULTING FROM INTERRUPTION IN OPERATION OF EQUIPMENT, OR FOR INCIDENTAL, DIRECT, OR CONSEQUENTIAL DAMAGES OF ANY NATURE.**

In the event that there is a defect in materials or workmanship of a Da-Lite product, you may contact Customer Care at 3100 North Detroit Street, Warsaw, IN 46582, (866) 977-3901.

IMPORTANT: THIS WARRANTY SHALL NOT BE VALID AND DA-LITE BRANDED PRODUCTS SHALL NOT BE BOUND BY THIS WARRANTY IF THE PRODUCT IS NOT OPERATED IN ACCORDANCE WITH THE DA-LITE WRITTEN INSTRUCTIONS.

Keep your sales receipt to prove the date of purchase and your original ownership.



FOR YOUR IMAGE | legrandav.com

USA P 866.977.3901 E av.da-lite.support@legrand.com
CANADA P 877.345.4329 E av.da-lite.support@legrand.com
EMEA P +31 495 580 840 E av.emea.sales@legrand.com
APAC P +852 2145 4099 E av.asia.sales@legrand.com

© 2020 Legrand AV Inc. 200716 Rev 1 10/20 Da-Lite is a registered trademark of Legrand AV Inc. All other brand names or marks are used for identification purposes and are trademarks of their respective owners. All patents are protected under existing designations. Other patents pending.



COMMERCIAL BRANDS

Chief | Da-Lite | Middle Atlantic | Projecta | Vaddio

46489