

Floor Model C

Parts List

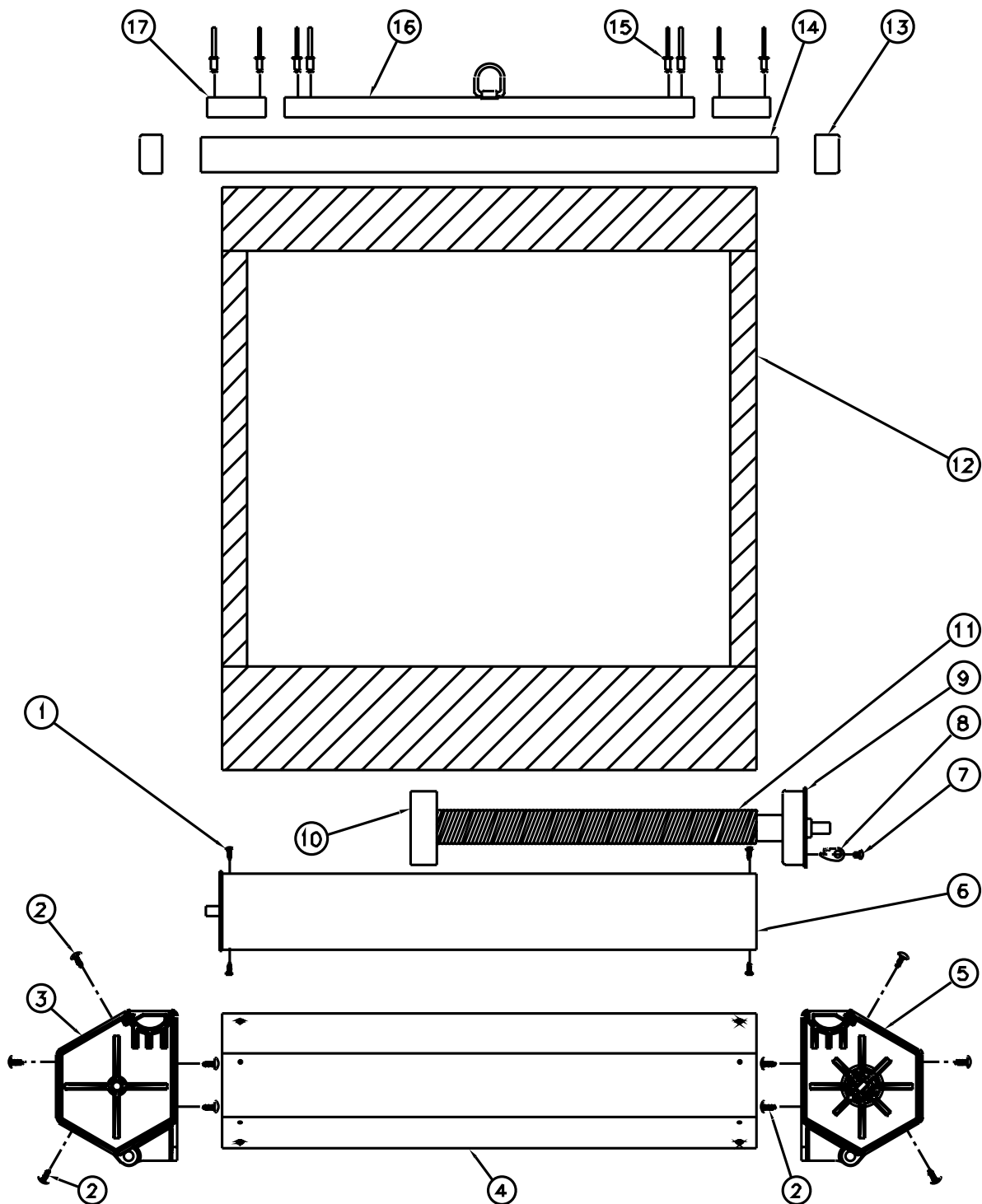


Diagram Number	Da-Lite Number	Description	Quantity Required	List Price Each
1	82998	Screw for pin end and spring assy.	6	\$0.14
2	25735	Screw for end caps	10	\$0.25
3	37246BLACK	Pin end cap, black	1	\$5.30
4	75019PC	Black case for 8' and 120" diag. screens	1	\$64.40
	75020PC	Black case for 9' screens	1	\$68.10

Diagram Number	Da-Lite Number	Description	Quantity Required	List Price Each
	75021PC	Black case for 10' and 150" diag. screens	1	\$72.00
	75022PC	Black case for 12' and 180" diag. screens	1	\$83.50
	76182	Carpeted gray case for 8' and 120" diag. screens	1	\$141.00
	76183	Carpeted gray case for 9' screens	1	\$177.00
	76184	Carpeted gray case for 10' and 150" diag. screens	1	\$187.00
	76185	Carpeted gray case for 12' and 180" diag. screens	1	\$193.00
	93900	Carpeted black case for 8' and 120" diag. screens	1	\$141.00
	93901	Carpeted black case for 9' screens	1	\$177.00
	89091	Carpeted black case for 10' and 150" diag. screens	1	\$187.00
	89092	Carpeted black case for 12' and 180" diag. screens	1	\$193.00
5	37245BLACK	Spring end cap, black	1	\$5.30
6		Roller assemblies include #1 and 11		
	57686	Roller assy. for 8' and 120" diag. Screens	1	\$145.00
	57687	Roller assy. for 9' screens	1	\$148.00
	57688	Roller assy. for 10' and 150" diag. Screens	1	\$150.00
	57685	Roller assy. for 12' and 180" diag. Screens	1	\$156.00
7	44726	Screw for dog	1	\$0.27
8	98223	Pawl (dog)	1	\$1.38
9	57705	Plug and spear assy. (includes #7 and 8)	1	\$28.60
10	45118	Plastic anchor for spring assy.	1	\$2.40
11	57706	Spring assy. (includes #9 and 10)	1	\$91.90
12		Screen surface		
		Video (4:3) Format		
	38232	Fabric, Matte White 69" x 92" - 120" diag.	1	\$267.00
	38235	Fabric, Matte White 87" x 116" - 150" diag.	1	\$358.00
	38236	Fabric, Matte White 105" x 140" - 180" diag.	1	\$678.00
		Square Format		
	38232	Fabric, Matte White 6' x 8'	1	\$267.00
	46124	Fabric, Matte White 8' x 8'	1	\$300.00
	38233	Fabric, Matte White 7' x 9'	1	\$311.00
	46126	Fabric, Matte White 9' x 9'	1	\$479.00
	38234	Fabric, Matte White 8' x 10'	1	\$358.00
	46128	Fabric, Matte White 10' x 10'	1	\$597.00
	38236	Fabric, Matte White 9' x 12'	1	\$678.00
	46130	Fabric, Matte White 12' x 12'	1	\$535.00
13	38244	Slat cap, black plastic	2	\$0.53
14	87047	Slat for 8' and 120" diag. screens	1	\$9.70
	45074	Slat for 9' screens	1	\$10.90
	45075	Slat for 10' and 150" diag. screens	1	\$11.90
	45076	Slat for 12' and 180" diag. screens	1	\$14.50
15	48563	Pop rivet for saddle assy. and extensions	12	\$0.29
16	78259	Saddle assy. for 8' and 9' screens	1	\$26.50
	78260	Saddle assy. for 10' and 12' screens	1	\$33.00
17	78588	Saddle extension for 8' and 120" diag. screens	2	\$7.20
	78589	Saddle extension for 9' screens	2	\$8.30
	78517	Saddle extension for 10' and 150" diag. screens	2	\$9.30
	78518	Saddle extension for 12' and 180" diag. screens	2	\$11.40
	95051	Packing for 8' screens	1	\$49.50
	95052	Packing for 9' screens	1	\$54.90
	95053	Packing for 10' screens	1	\$60.40
	95054	Packing for 12' screens	1	\$69.70