

# Imager

Wall-Mounted Projection Screen



SPECIFICATION DATA

**SUGGESTED SPECIFICATIONS:** \_\_\_\_\_ fixed wall mounted projection screen(s), \_\_\_\_\_ (H) x \_\_\_\_\_ (W). To have flexible screen surface, fire retardant and mildew resistant. Screen surface will attach to frame with snaps. Frame will conceal all binding and attachment materials. Screen frame will be textured matte black powder coated aluminum. Frame will be miter cut (45°) at corners. Wall mounting bracket will be included.

## HDTV (16:9) Format Dimensions

Viewing Area (H x W)		Nominal Diagonal		Overall Dimensions		Approx. Ship. Wt.	
In.	Cm	In.	Cm	In.	Cm	Lbs.	Kg
37½" x 67"	95 x 170	77"	196	41½" x 71"	105 x 180	24	10.9
40½" x 72"	103 x 183	82"	208	44½" x 76"	113 x 193	27	12.2
45" x 80"	114 x 203	92"	234	49" x 84"	124 x 213	28	12.7
49" x 87"	124 x 221	100"	254	53" x 91"	135 x 231	32	14.5
52" x 92"	132 x 234	106"	269	56" x 96"	142 x 244	33	15.0
54" x 96"	137 x 244	110"	279	58" x 100"	147 x 254	34	15.4
58" x 104"	147 x 264	119"	302	62" x 108"	157 x 274	38	17.2
65" x 116"	165 x 295	133"	338	69" x 120"	175 x 305	44	20.0
78" x 139"	198 x 353	159"	404	82" x 143"	211 x 363	46	20.9

## Cinemascope Format Dimensions

Viewing Area (H x W)		Nominal Diagonal		Overall Dimensions		Approx. Ship. Wt.	
In.	Cm	In.	Cm	In.	Cm	Lbs.	Kg
37½" x 88"	95 x 224	96"	244	41½" x 92"	105 x 234	32	14.5
40½" x 95"	103 x 241	103"	262	44½" x 99"	113 x 251	34	15.4
45" x 106"	114 x 269	115"	292	49" x 110"	124 x 279	38	17.2
49" x 115"	124 x 292	125"	318	53" x 119"	135 x 302	43	19.5
52" x 122"	132 x 310	133"	338	56" x 126"	142 x 320	45	20.4
54" x 126"	137 x 320	138"	351	58" x 130"	147 x 330	46	20.9
58" x 136½"	147 x 347	148"	376	62" x 140½"	157 x 357	48	21.8

### PRODUCT NOTES

- Overall dimensions +/- ¼" (6mm).
- Specifications subject to change without notice.
- Custom formats and sizes available upon request.
- All HD Progressive (non perf), Da-Mat, High Contrast Da-Mat, Da-Tex and Dual Vision are seamless up to 16' high.
- HD Progressive 1.1 Perf available in sizes up to 8' high.
- **All viewing surfaces are standard with black backing except Da-Tex® and Dual Vision.**

### WHEN ORDERING, MARK APPROPRIATE SELECTIONS:

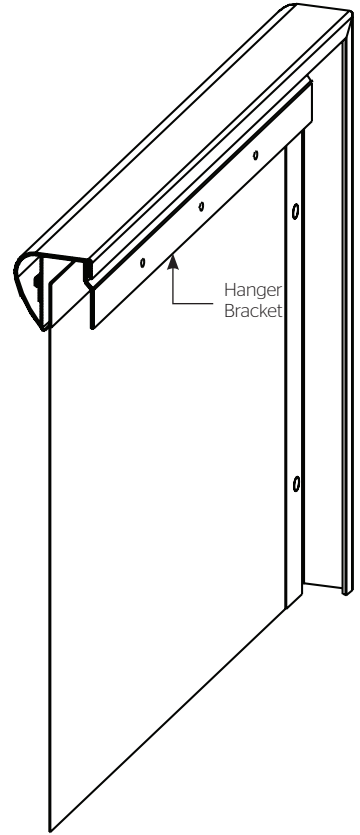
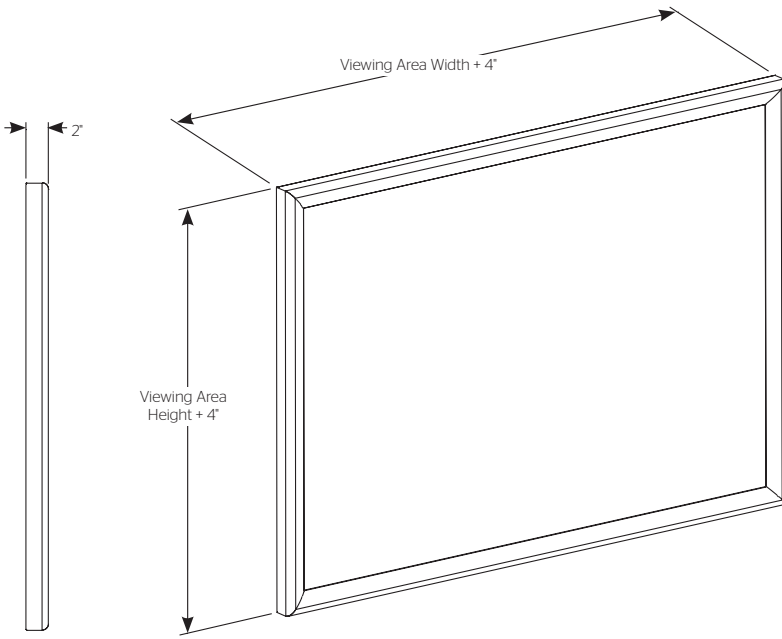
1. Select size from charts on the other side.
2. Select viewing surface:
 

<input type="checkbox"/> HD Progressive 0.6	<input type="checkbox"/> Da-Mat®
<input type="checkbox"/> HD Progressive 0.9	<input type="checkbox"/> High Contrast Da-Mat®
<input type="checkbox"/> HD Progressive 1.1	<input type="checkbox"/> Dual Vision
<input type="checkbox"/> HD Progressive 1.1 Perf	<input type="checkbox"/> Da-Tex® (rear)
<input type="checkbox"/> HD Progressive 1.3	
3. Optional accessories:
 

<input type="checkbox"/> Pro-Trim® (already included on screens with HD Progressive surfaces)	<input type="checkbox"/> Velcro® Attachment (snaps standard).
---	---

Pro-Trim® is a fabric covering that aesthetically enhances the appearance of the installation. Pro-Trim® provides a stylish masked border while absorbing the light that surrounds the viewing area.

**PRODUCT VIEWS**



**A BRAND OF MILESTONE AV TECHNOLOGIES**

www.milestone.com

**P** 800.622.3737 / 574.267.8101

**F** 877.325.4832 / 574.267.7804

**E** info@da-lite.com

In British Columbia, Milestone AV Technologies ULC carries on business as MAVT Milestone AV Technologies ULC.

©2018 Milestone AV Technologies. DL-0223 (Rev. 3) 0418.  
Da-Lite is a registered trademarks of Milestone AV Technologies. All other brand names or marks are used for identification purposes and are trademarks of their respective owners. All patents are protected under existing designations. Other patents pending.

Project Name: _____
Architect: _____
Contractor: _____ Phone: _____
Reseller: _____ Phone: _____