



OWNER'S MANUAL FOR
Large Advantage Electrol

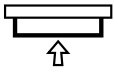


Thank you for purchasing the Da-Lite Large Advantage Electrol.

In this Owner's Manual, you will find details regarding the general care and cleaning of the projection surface, terms and conditions of the Limited Five Year Warranty and information about the screen which can be used to help identify your particular model. At Da-Lite, we strive to continually provide you with outstanding levels of service and the highest quality products available.

For customer service needs, warranty claims or any general inquiry, please feel free to contact Da-Lite's Customer Care Specialists at 574.267.8101 / 800.622.3737 or info@da-lite.com.

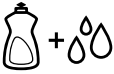
Care and Cleaning Of Projection Screen Surfaces



Keep your screen rolled up in its protective case when not in use.



Use compressed air to remove adhering particles.



The screen surface can be cleaned with water or a mild soap and water solution.



Small marks can be removed with a cleaning pad such as Magic Eraser.



Always use a soft, clean, lint free rag or sponge.



Do not scrub the screen or use petroleum based solvents.

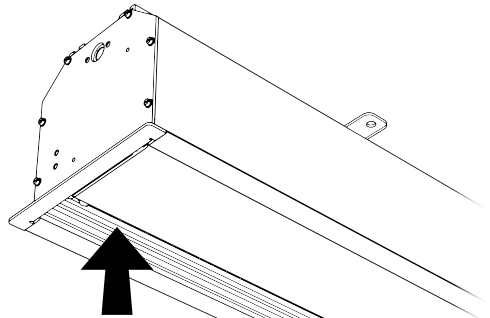



Use a blotting action rather than a wiping action to avoid damaging the surface.

For additional assistance, please contact Da-Lite's Sales Partners with the following information: type of stain, fabric type and date of purchase.


Locating the Product Label

The product label is used to provide you with complete information about your projection screen. The label can be found on your Da-Lite Large Advantage® Electrol® in the location as referenced in the image to the right. Please refer to the **Order #** and **Date of Mfg.** when contacting Da-Lite to make a warranty claim or to receive general information about your projection screen.





WARSAW, INDIANA 46581
MADE IN U.S.A.

115 VAC 60 HZ **AMP**  **US LISTED 242H**

DUTY CYCLE 1 MIN. ON / 3 MIN. OFF

MODEL#	<input type="text"/>	DROP	<input type="text"/> in.
PART#	<input type="text"/>	ROLLER LENGTH	<input type="text"/> in.
ORDER#	<input type="text"/>	CUSTOM SIZE VA	<input type="text"/> in.
DATE OF MFG.	<input type="text"/>	FABRIC	<input type="text"/>

Minimum branch circuit conductor ampacity for connection, maximum branch circuit overcurrent protective device rating to be provided, 20a

96863
Rev. 4

LIMITED FIVE YEAR WARRANTY ON DA-LITE TENSIONED ADVANTAGE® ELECTROL®, ADVANTAGE® ELECTROL®, TENSIONED LARGE ADVANTAGE® ELECTROL®, LARGE ADVANTAGE® ELECTROL®, TENSIONED CONTOUR® ELECTROL® AND CONTOUR® ELECTROL® PRODUCTS ONLY

Milestone AV Technologies LLC warrants these Da-Lite branded products to the original purchaser only, to be free from defects in materials and workmanship for a period of five (5) years from the date of purchase by the original purchaser; provided they are properly operated according to Da-Lite's instructions and are not damaged due to improper handling or treatment after shipment from the factory.

This warranty does not apply to equipment showing evidence of misuse, abuse or accidental damage, or which has been tampered with or repaired by a person other than authorized Da-Lite personnel.

Da-Lite's sole obligation under this warranty shall be to repair or to replace (at Da-Lite's option) the defective part of the merchandise. Returns for service should be made to your Da-Lite dealer. If it is necessary for the dealer to return the screen or part to Da-Lite, transportation expenses to and from Da-Lite are payable by the purchaser and Da-Lite is not responsible for damage in shipment.

To protect yourself against damage or loss in transit, insure the product and prepay all transportation expenses.

TO THE MAXIMUM EXTENT PERMITTED BY APPLICABLE LAW, THIS WARRANTY IS IN LIEU OF ALL OTHER WARRANTIES, EXPRESS OR IMPLIED, INCLUDING WARRANTIES AS TO FITNESS FOR USE AND MERCHANTABILITY. Any implied warranties of fitness for use, or merchantability, that may be mandated by statute or rule of law are limited to the five (5) year warranty period. This warranty gives you specific legal rights, and you may also have other rights, which vary from state-to-state. **TO THE MAXIMUM EXTENT PERMITTED BY APPLICABLE LAW, NO LIABILITY IS ASSUMED FOR EXPENSES OR DAMAGES RESULTING FROM INTERRUPTION IN OPERATION OF EQUIPMENT, OR FOR INCIDENTAL, DIRECT, OR CONSEQUENTIAL DAMAGES OF ANY NATURE.**

In the event that there is a defect in materials or workmanship of a Da-Lite product, you may contact our Customer Care Specialists at 3100 North Detroit Street, Warsaw, IN 46582, (574) 267-8101, (800) 622-3737.

IMPORTANT: THIS WARRANTY SHALL NOT BE VALID AND DA-LITE BRANDED PRODUCTS SHALL NOT BE BOUND BY THIS WARRANTY IF THE PRODUCT IS NOT OPERATED IN ACCORDANCE WITH THE DA-LITE WRITTEN INSTRUCTIONS.

Keep your sales receipt to prove the date of purchase and your original ownership.



A Milestone AV Technologies Brand

3100 North Detroit Street

Warsaw, Indiana 46582

P: 574.267.8101 or 800.622.3737

F: 574.267.7804 or 877.325.4832

E: info@da-lite.com

www.da-lite.com

DL-0119 (Rev. 3) 04.16

© 2016 Milestone AV Technologies LLC. Printed in U.S.A.

23136