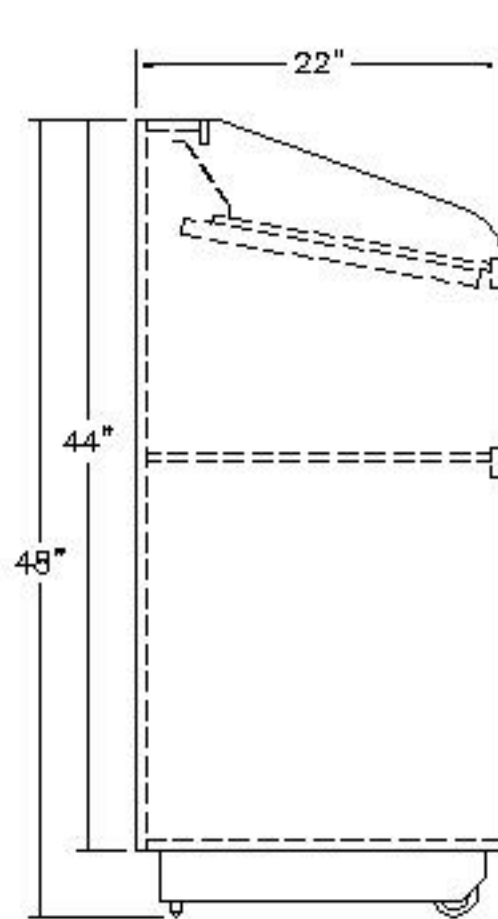
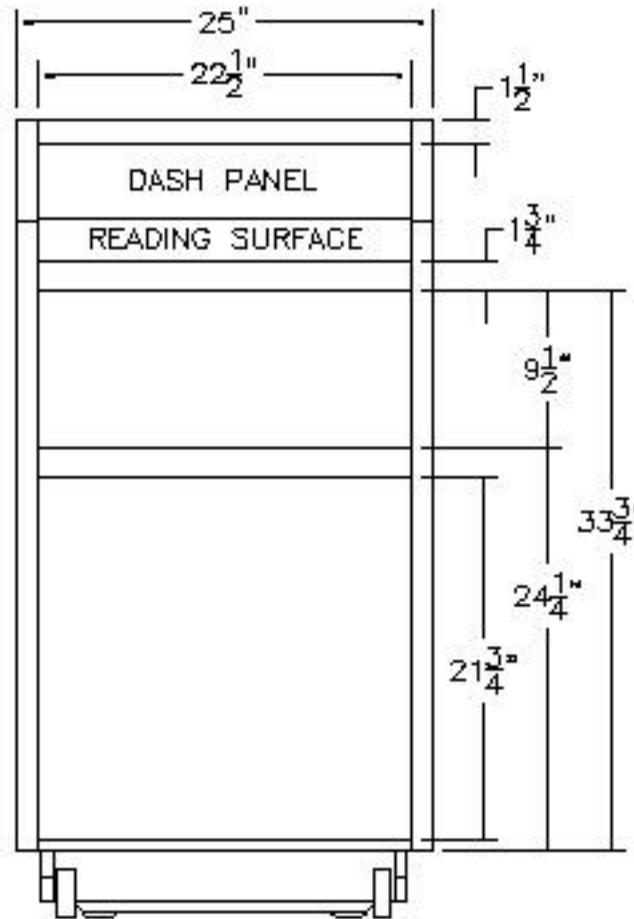


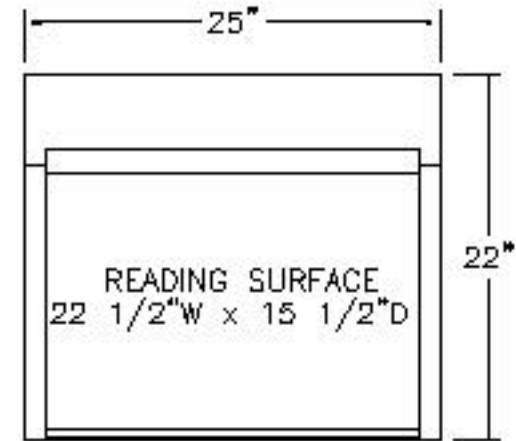
THIS PRINT SUPERSEDES ANY PRINT DATED PRIOR TO: 9-30-02 NO:



SIDE VIEW



BACK VIEW

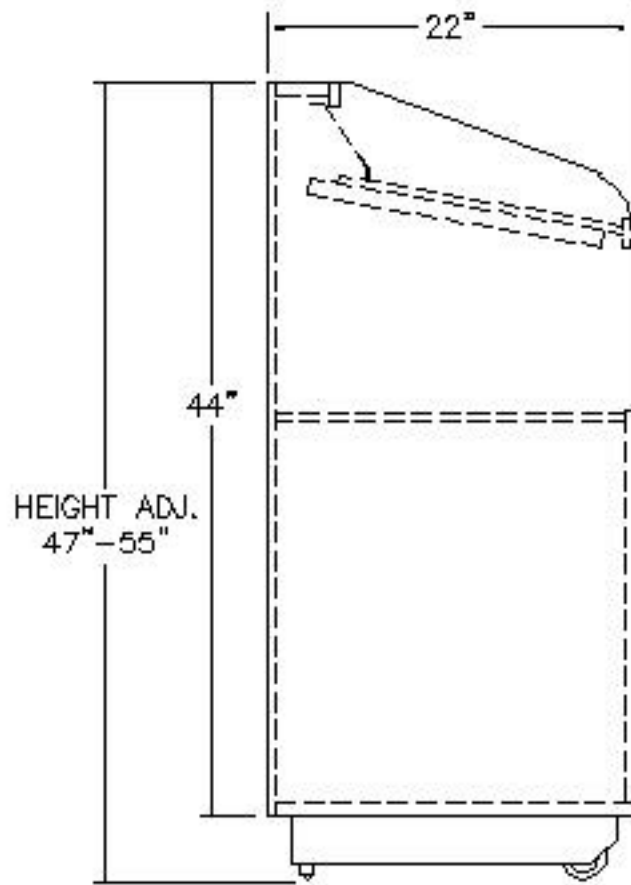


TOP VIEW

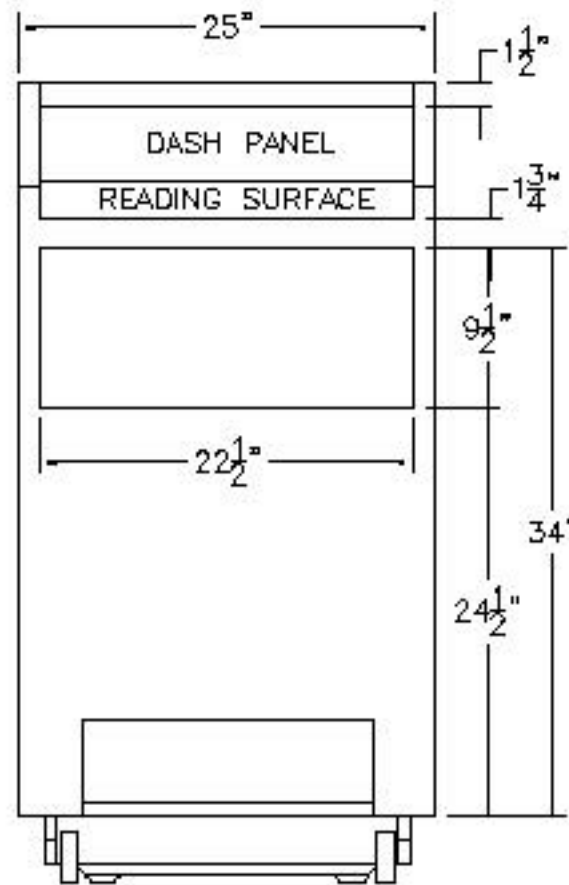
REVISION				
REVISED BY:				
APP'D BY:				

SCALE: 1=12	DRAWN BY: K.J.L.	DATE: 9-30-02	APP'D BY:	DATE:
MATERIAL NO: N/A	FINISH: N/A		CAD	
NAME: LECTERN, LEXINGTON 25" FLR				
DA-LITE SCREEN CO. WARSAW, INDIANA, USA			NO:	

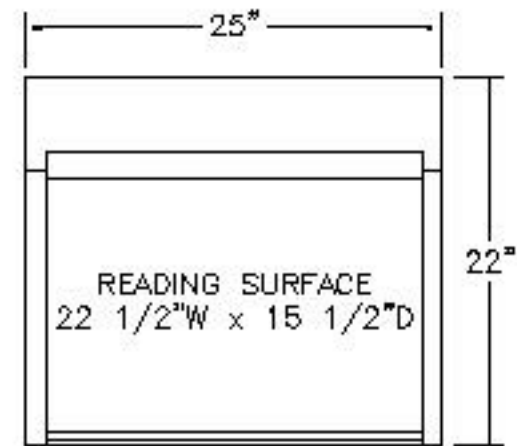
THIS PRINT SUPERSEDES ANY PRINT DATED PRIOR TO:  
 9-30-02 NO:



SIDE VIEW



BACK VIEW

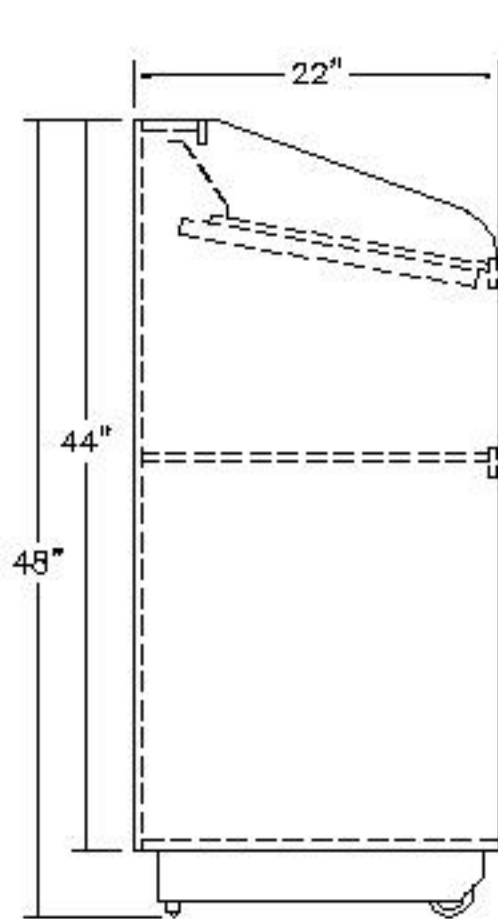


TOP VIEW

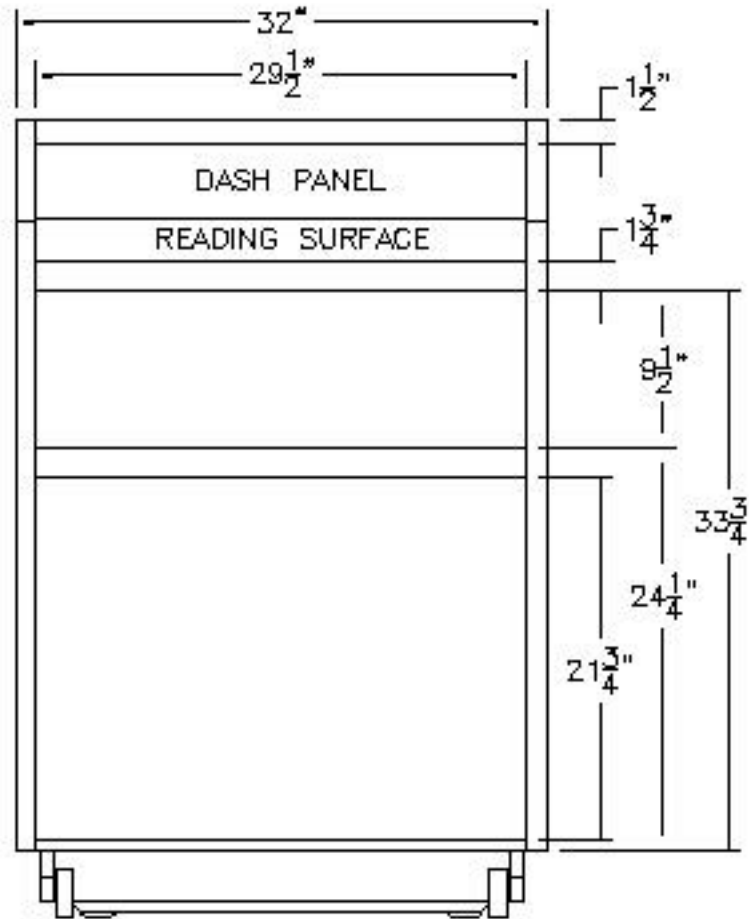
REVISION				
REMOVED BY:				
APP'D BY:				

SCALE: 1=12	DRAWN BY: K.J.L.	DATE: 9-30-02	APP'D BY:	DATE:
MATERIAL NO: N/A	FINISH: N/A		CAD	
NAME: LECTERN, LEXINGTON 25" ADJ.				
DA-LITE SCREEN CO. WARSAW, INDIANA, USA			NO:	

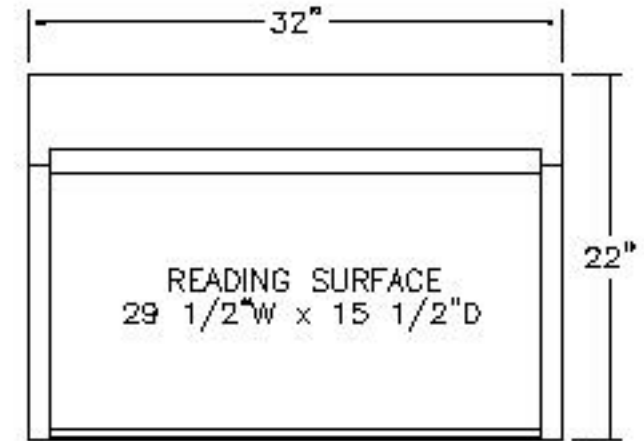
THIS PRINT SUPERSEDES ANY PRINT DATED PRIOR TO: NO:  
9-30-02



SIDE VIEW



BACK VIEW

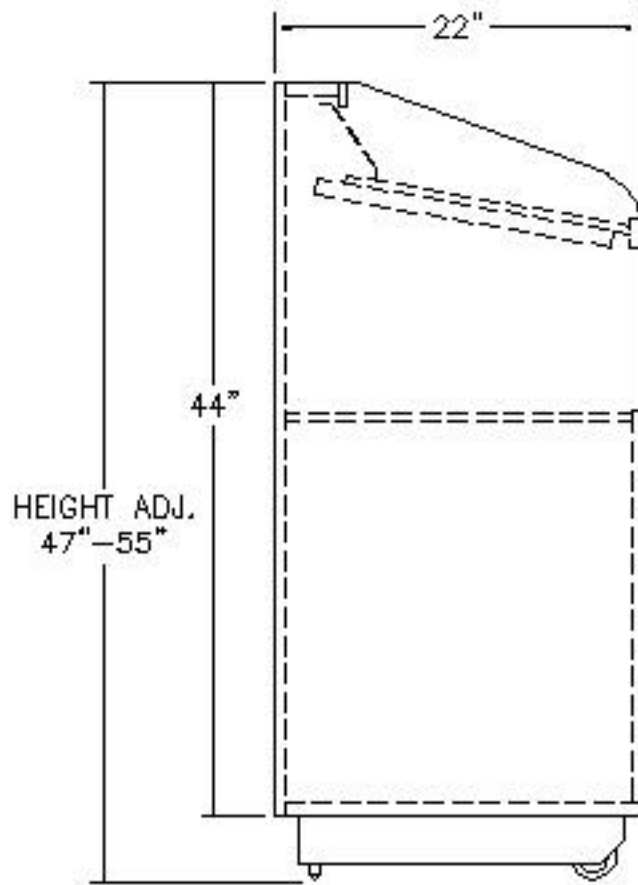


TOP VIEW

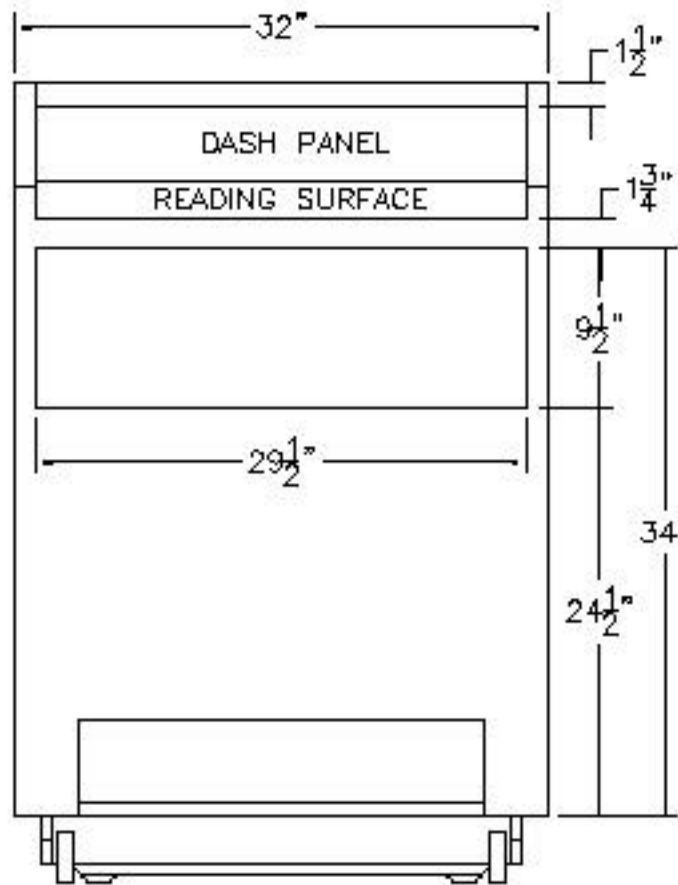
REVISION				
REVISED BY:				
APP'D BY:				

SCALE: 1=12	DRAWN BY: K.J.L.L.	DATE: 9-30-02	APP'D BY:	DATE:
MATERIAL NO: N/A	FINISH: N/A		CAD	
NAME: LECTERN, LEXINGTON 32" FLR				
DA-LITE SCREEN CO. WARSAW, INDIANA, USA			NO:	

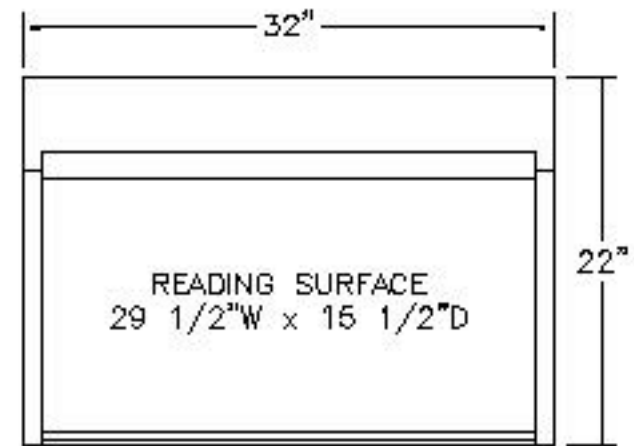
THIS PRINT SUPERSEDES ANY PRINT DATED PRIOR TO:  
 9-30-02 NO:



SIDE VIEW



BACK VIEW



TOP VIEW

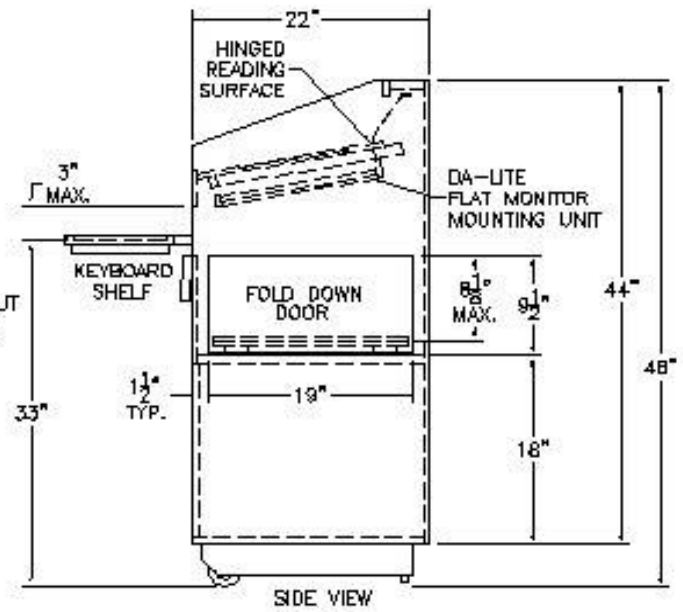
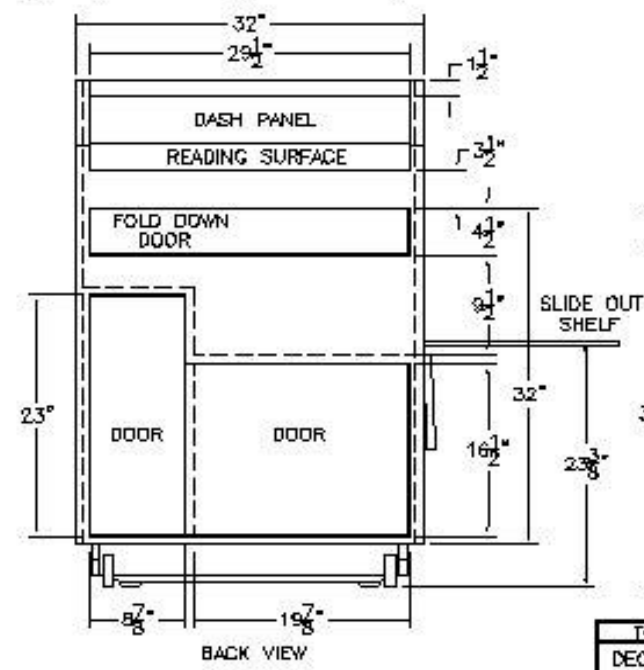
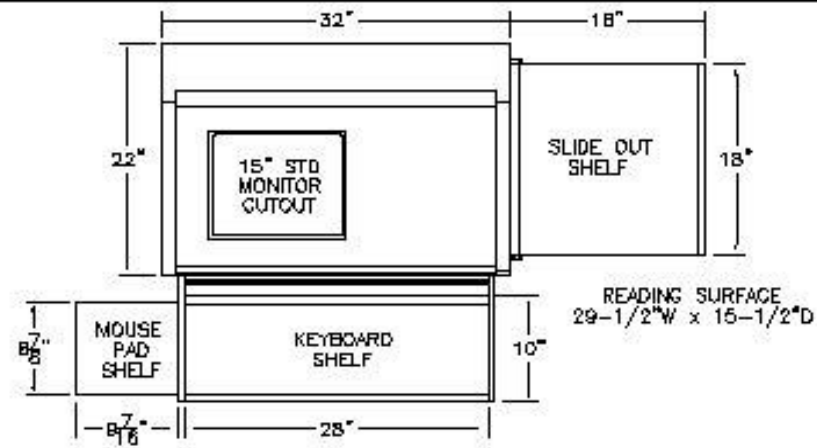
REVISION				
REMOVED BY:				
APP'D BY:				

SCALE: 1=12	DRAWN BY: K.J.L.L.	DATE: 9-30-02	APP'D BY:	DATE:
MATERIAL NO: N/A	FINISH: N/A		CAD	
NAME: LECTERN, LEXINGTON 32" ADJ.				
DA-LITE SCREEN CO. WARSAW, INDIANA, USA			NO:	

THIS PRINT SUPERSEDES  
ANY PRINT DATED PRIOR TO:

NO:

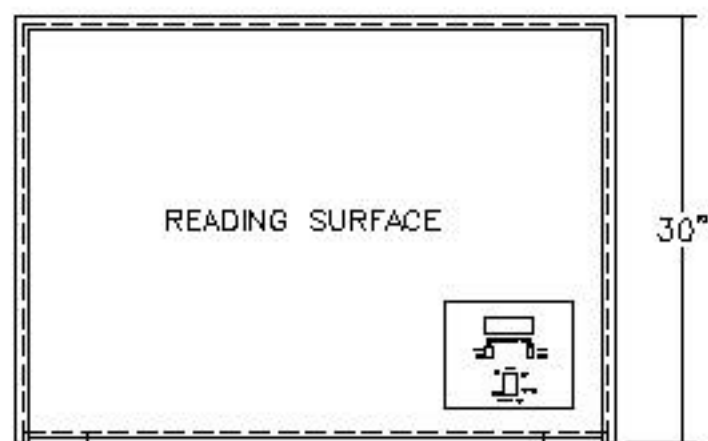
3-21-02



TOI FRANCES	SCALE: 1=16	DRAWN BY: K.J.L.	DATE: 3-21-02	APP'D BY:	DATE:
DECIMAL: XX = ±.010 XXX = ±.005	MATERIAL NO: N/A	FINISH: N/A		SERVER	
FRACTIONAL: = ±.015	NAME: LEXINGTON 32" MULTI-MEDIA LECTERN				
ANGULAR: = ± 1'	DA-LITE SCREEN CO.		NO:		
	WARSAW, INDIANA, USA				

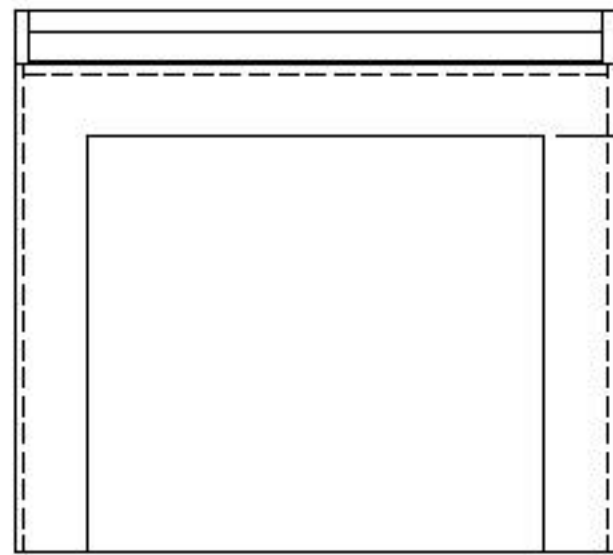
REVISION				
REVISED BY:				
APP'D BY:				

THIS PRINT SUPERSEDES ANY PRINT DATED PRIOR TO:  
 9-30-02 NO:



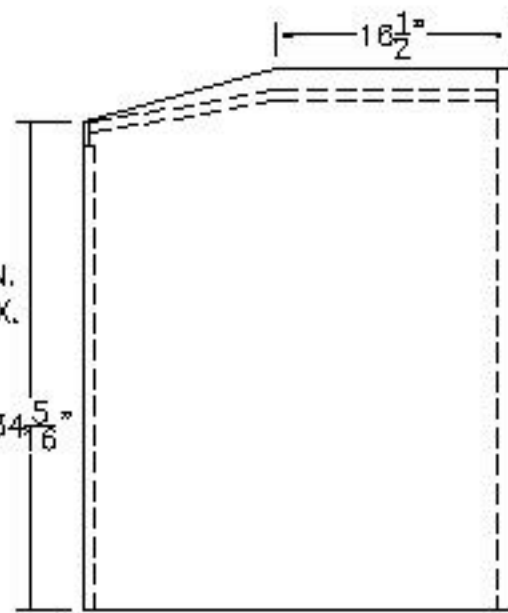
30"

42"  
 TOP VIEW

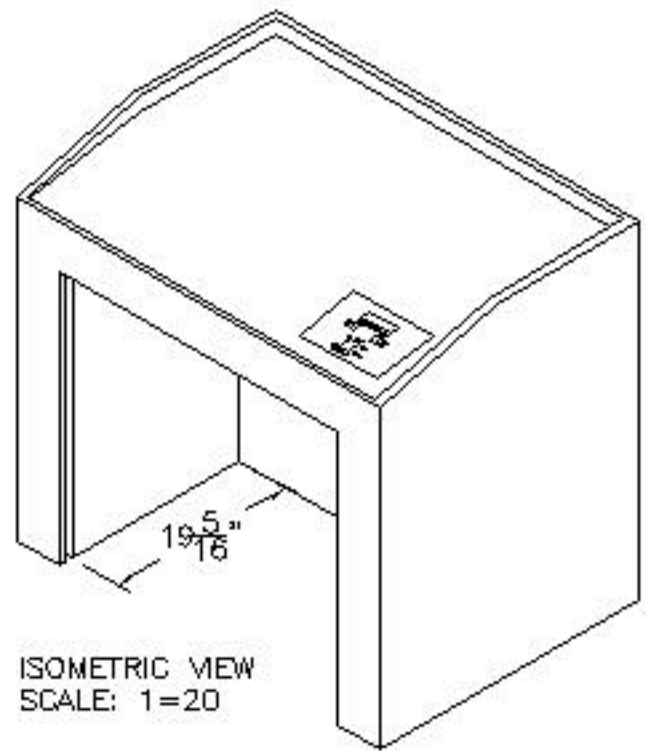


32"  
 BACK VIEW

1 1/2"  
 38" MIN.  
 46" MAX.  
 29 1/4"  
 5" TYP.



16 1/2"  
 34 5/16"  
 SIDE VIEW



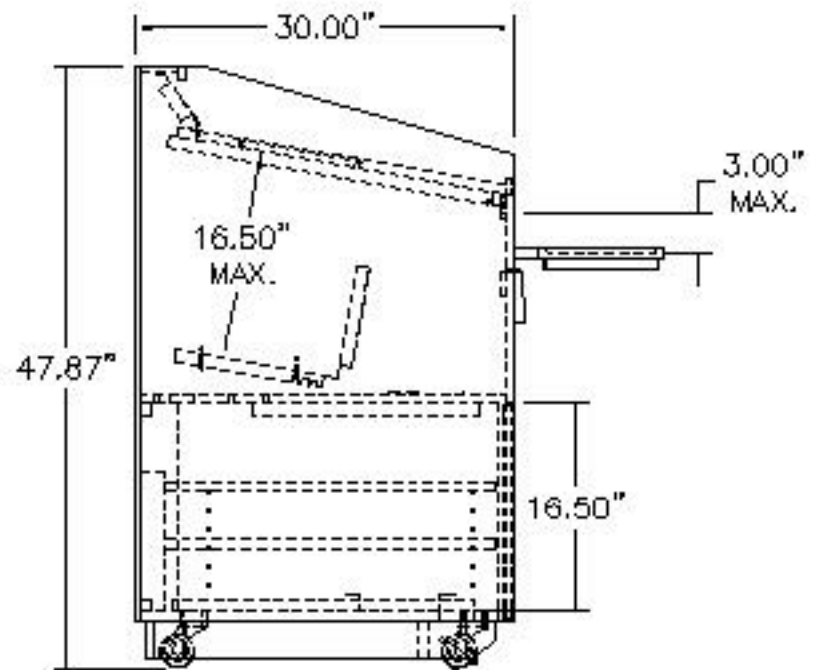
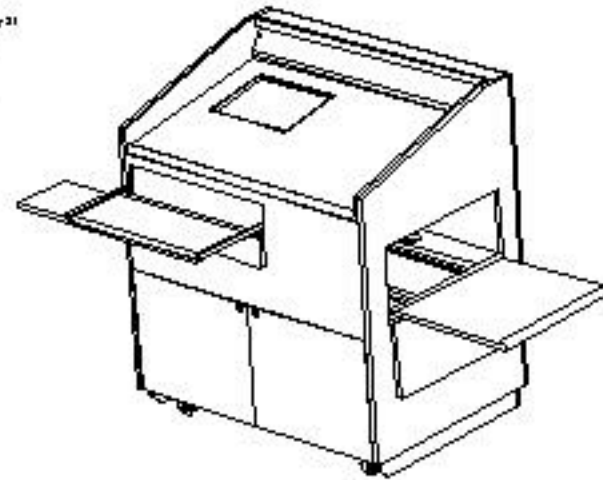
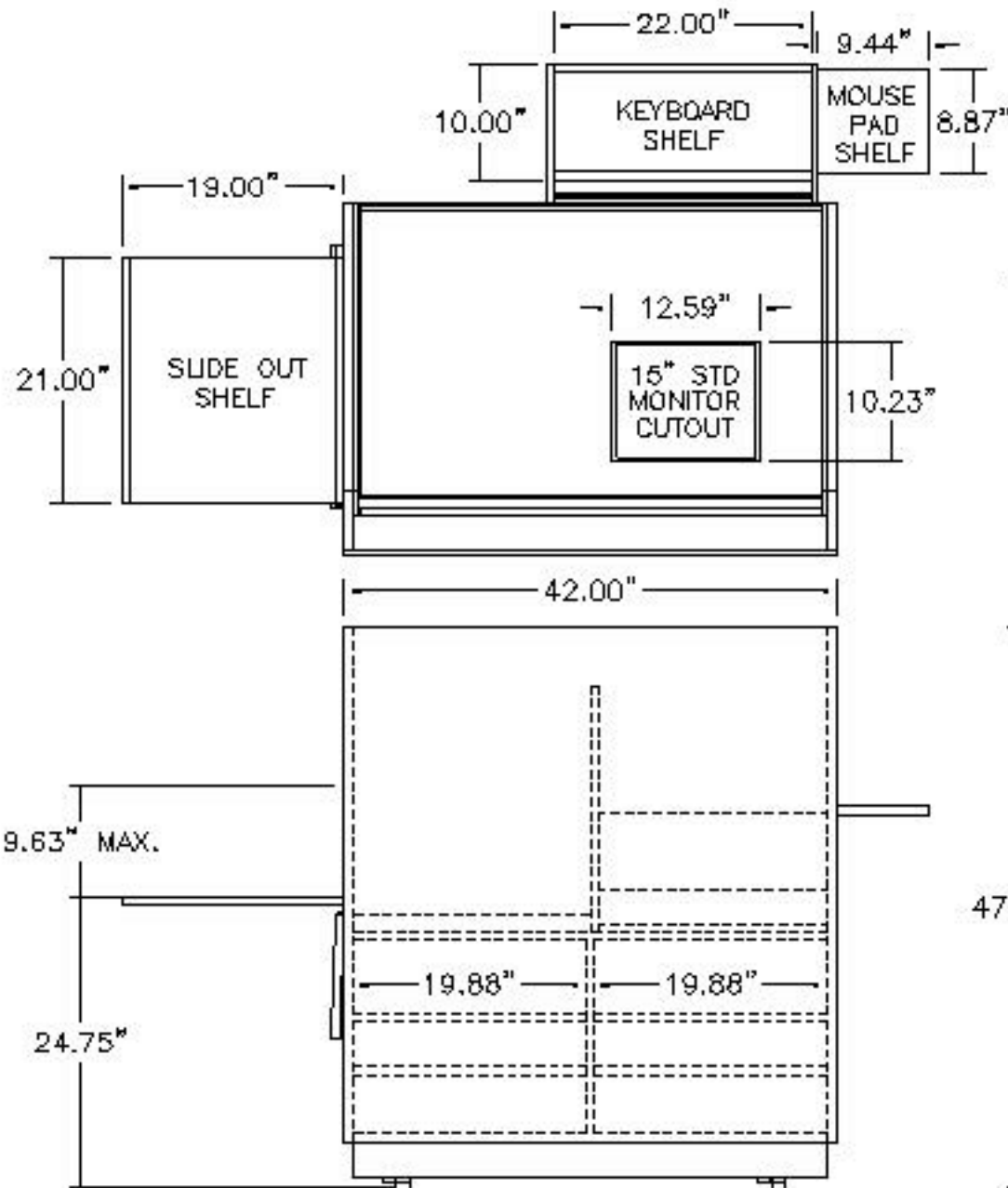
ISOMETRIC VIEW  
 SCALE: 1=20

REVISION				
REVISED BY:				
APP'D BY:				

SCALE: 1=14	DRAWN BY: K.J.L.	DATE: 9-30-02	APP'D BY:	DATE:
MATERIAL NO: N/A	FINISH: N/A		CAD	
NAME: ADA LECTERN, 42"W LEXINGTON				
DA-LITE SCREEN CO. WARSAW, INDIANA, USA			NO:	

THIS PRINT SUPERSEDES  
ANY PRINT DATED PRIOR TO:  
9-30-02

NO:



REVISION					
REVISED BY:					
APP'D BY:					

SCALE: 1=16	DRAWN BY: K.J.L.	DATE: 9-30-02	APP'D BY:	DATE:	SERVER
NAME: LEXINGTON 42" MULTI-MEDIA LECTERN					
DA-LITE SCREEN CO. INC. WARSAW, INDIANA, USA				NO:	