

Model C with CSR

Parts List

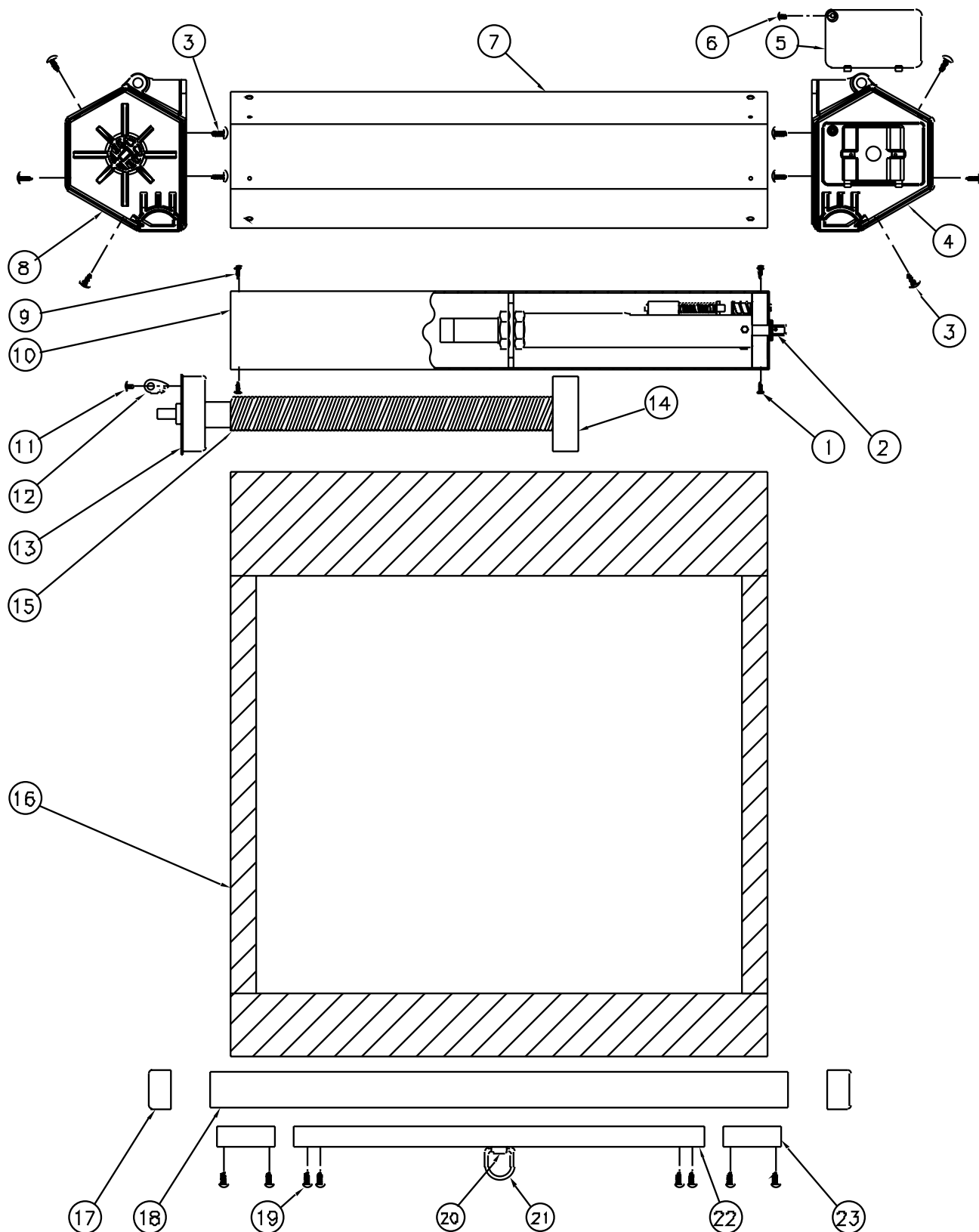


Diagram Number	Da-Lite Number	Description	Quantity Required	List Price Each
1	82998	Screw for dampener assy. for 3" roller	3	\$0.14
2	93449	CSR assy. for 1 3/4" roller - See note #1 (Prior to 1-17-12)	1	\$238.00
	38855	CSR and spring assy. for 60" thru 72" screens (Prior to 2-8-19)	1	\$88.30
	38855	CIC CSR and spring assy. for 60" thru 96" screens. For 1 3/4" roller (2-8-19 and later)	1	\$88.30
	79090	CSR assy. for 3" roller 84" - 96" (Prior to 2-8-19)	1	\$246.00
	79090	CSR assy. for 3" roller - See note #1		\$246.00
	93450	CSR assy. for 10' x 10', 9' x 12', 12' x 12', 180" diag. and 200" diag. screens - See note #2	1	\$246.00
3	25736	Screw for end caps	10	\$0.25
4	20742	CSR end cap assy., white for 1 3/4" roller	1	\$17.70
	39888	CSR end cap assy., white for 3" roller	1	\$38.90
5	38043	CSR cover plate, white	1	\$2.10
6	89464	Screw for cover plate	1	\$0.33
7	78343	White case for 60" and 72" diag. screens with 1 3/4" roller	1	\$43.80
	78344	White case for 70" and 84" diag. screens with 1 3/4" roller	1	\$47.90
	33636WHITE	White case for 72" screens with 1 3/4" roller	1	\$50.60
	78345	White case for 84", 100" diag., 92" diag. and 94" diag. screens with 3" roller (Prior to 2-8-19)	1	\$57.80
	12182	White case for 84", 100" diag., 92" diag. and 94" diag. screens with 1 3/4" roller (2-8-19 and later)	1	\$57.80
	78283	White case for 8', 120" diag., 106" diag. and 109" diag. screens with 3" roller (Prior to 2-8-19)	1	\$64.70
	12183	White case for 8', 120" diag., 106" diag. and 109" diag. screens with 1 3/4" roller (2-8-19 and later)	1	\$64.70
	94724	White case for 110" diag. and 113" diag. screens	1	\$66.60
	78312	White case for 9', 119" diag. and 123" diag. screens	1	\$68.70
	35021WHITE	White case for 130" diag. screens	1	\$69.70
	78307	White case for 10', 150" diag., 133" diag. and 137" diag. screens	1	\$72.60
	78313	White case for 12', 180" diag., 159" diag. and 164" diag. screens	1	\$83.50
	92026	White case for 200" diag. screens	1	\$85.60
8	37237	Spring end cap, white for 1 3/4" roller (prior to 1-17-12)	1	\$5.30
	20738	Spring end cap, white for 1 3/4" roller	1	\$5.30
	37245	Spring end cap, white for 3" roller	1	\$5.30
9	82998	Screw for spring assy. for 3" roller	3	\$0.14
10		Roller assemblies include #1, 2, 9 and 15		
	92969	1 3/4" roller assy. for 60" and 72" diag. Screens (prior to 1-17-12)	1	\$290.00
	92970	1 3/4" roller assy. for 70" and 84" diag. Screens (prior to 1-17-12)	1	\$309.00
	35076	1 3/4" roller assy. for 72" screens (prior to 1-17-12)	1	\$297.00
	32852	1 3/4" roller assy. for 60" and 72" diag. Screens	1	\$97.20
	32853	1 3/4" roller assy. for 70" and 84" diag. Screens	1	\$97.20
	21934	1 3/4" roller assy. for 72" screens	1	\$97.20
	80185	Roller assy. for 84", 100" diag., 92" diag. and 94" diag. screens (Prior to 2-8-19)	1	\$382.00
	80186	Roller assy. for 8' and 120" diag. screens (Prior to 2-8-19)	1	\$384.00
	32855	1 3/4" Roller assy. for 84", 100" diag., 92" diag. and 94" diag. screens (2-8-19 and later)	1	\$101.00
	32856	1 3/4" Roller assy. for 8', 120" , 106", 109" diag. screens (2-8-19 and later)	1	\$102.00
	80192	Roller assy. for 110" diag. and 113" diag. screens	1	\$385.00
	80187	Roller assy. for 9', 119" diag. and 123" diag. screens	1	\$387.00
	35003	Roller assy. for 130" diag. screens	1	\$389.00
	80188	Roller assy. for 8' x 10', 150" diag. 133" diag. and 137" diag. screens	1	\$390.00
	36377	Roller assy. for 10' x 10' screens	1	\$390.00
	80189	Roller assy. for 12' and 180" diag. screens	1	\$392.00
	36378	Roller assy. for 159" diag. and 164" diag. screens	1	\$392.00
	86831	Roller assy. for 200" diag. screens	1	\$405.00

Diagram Number	Da-Lite Number	Description	Quantity Required	List Price Each
11	44726	Screw for dog for 3" roller	1	\$0.27
12	98223	Pawl (dog) for 3" roller	1	\$1.38
13	57705	Plug and spear assy. for 3" roller (includes #11 and 12)	1	\$28.60
14	45118	Plastic anchor for spring assy. for 3" roller	1	\$2.40
15	58353	Spring assy. for 1 3/4" roller for 60" thru 72" screens (not shown) (prior to 1-17-12)	1	\$25.50
	80765	Roller plug for 1 3/4" roller (not shown)	1	\$2.10
	57706	Spring assy. for 3" roller (includes #13 and 14)	1	\$91.90
16		Screen surface		
		HDTV (16:9) Format		
	84050	Fabric, Matte White 45" x 80" - 92" diag. (Prior to 2-8-19)	1	\$193.00
	92813	Fabric, High Contrast Matte White 45" x 80" - 92" diag. (Prior to 2-8-19)	1	\$209.00
	84746	Fabric, Video Spectra 1.5 45" x 80" - 92" diag. (Prior to 2-8-19)	1	\$209.00
	12184	Fabric, Matte White 45" x 80" - 92" diag. (2-8-19 and later)	1	\$193.00
	12185	Fabric, High Contrast Matte White 45" x 80" - 92" diag. (2-8-19 and later)	1	\$209.00
	12186	Fabric, Video Spectra 1.5 45" x 80" - 92" diag. (2-8-19 and later)	1	\$209.00
	78951	Fabric, Matte White 52" x 92" - 106" diag. (Prior to 2-8-19)	1	\$267.00
	92814	Fabric, High Contrast Matte White 52" x 92" - 106" diag. (Prior to 2-8-19)	1	\$292.00
	83086	Fabric, Video Spectra 1.5 52" x 92" - 106" diag. (Prior to 2-8-19)	1	\$292.00
	12187	Fabric, Matte White 52" x 92" - 106" diag. (2-8-19 and later)	1	\$267.00
	12188	Fabric, High Contrast Matte White 52" x 92" - 106" diag. (2-8-19 and later)	1	\$292.00
	12189	Fabric, Video Spectra 1.5 52" x 92" - 106" diag. (2-8-19 and later)	1	\$292.00
	94379	Fabric, Matte White 54" x 96" - 110" diag.	1	\$292.00
	94380	Fabric, High Contrast Matte White 54" x 96" - 110" diag.	1	\$320.00
	94382	Fabric, Video Spectra 1.5 54" x 96" - 110" diag.	1	\$320.00
	78954	Fabric, Matte White 58" x 104" - 119" diag.	1	\$311.00
	92815	Fabric, High Contrast Matte White 58" x 104" - 119" diag.	1	\$342.00
	83087	Fabric, Video Spectra 1.5 58" x 104" - 119" diag.	1	\$342.00
	78957	Fabric, Matte White 65" x 116" - 133" diag.	1	\$358.00
	92816	Fabric, High Contrast Matte White 65" x 116" - 133" diag.	1	\$394.00
	83088	Fabric, Video Spectra 1.5 65" x 116" - 133" diag.	1	\$394.00
	78960	Fabric, Matte White 78" x 139" - 159" diag.	1	\$581.00
	92817	Fabric, High Contrast Matte White 78" x 139" - 159" diag.	1	\$601.00
	83089	Fabric, Video Spectra 1.5 78" x 139" - 159" diag.	1	\$601.00
		Wide (16:10) Format		
	34841	Fabric, Matte White 50" x 80" - 94" diag. (Prior to 2-8-19)	1	\$193.00
	34842	Fabric, High Contrast Matte White 50" x 80" - 94" diag. (Prior to 2-8-19)	1	\$209.00
	34843	Fabric, Video Spectra 1.5 50" x 80" - 94" diag. (Prior to 2-8-19)	1	\$209.00
	12202	Fabric, Matte White 50" x 80" - 94" diag. (2-8-19 and later)	1	\$193.00
	12203	Fabric, High Contrast Matte White 50" x 80" - 94" diag. (2-8-19 and later)	1	\$209.00
	12204	Fabric, Video Spectra 1.5 50" x 80" - 94" diag. (2-8-19 and later)	1	\$209.00
	70457	Fabric, Matte White 57.5" x 92" - 109" diag. (Prior to 2-8-19)	1	\$267.00
	70458	Fabric, High Contrast Matte White 57.5" x 92" - 109" diag. (Prior to 2-8-19)	1	\$292.00
	70459	Fabric, Video Spectra 1.5 57.5" x 92" - 109" diag. (Prior to 2-8-19)	1	\$292.00
	12205	Fabric, Matte White 57.5" x 92" - 109" diag. (2-8-19 and later)	1	\$267.00
	12206	Fabric, High Contrast Matte White 57.5" x 92" - 109" diag. (2-8-19 and later)	1	\$292.00
	12207	Fabric, Video Spectra 1.5 57.5" x 92" - 109" diag. (2-8-19 and later)	1	\$292.00

Diagram Number	Da-Lite Number	Description	Quantity Required	List Price Each
	34845	Fabric, Matte White 60" x 96" - 113" diag.	1	\$292.00
	34846	Fabric, High Contrast Matte White 60" x 96" - 113" diag.	1	\$320.00
	34847	Fabric, Video Spectra 1.5 60" x 96" - 113" diag.	1	\$320.00
	21653	Fabric, Matte White 65" x 104" - 123" diag.	1	\$311.00
	21654	Fabric, High Contrast Matte White 65" x 104" - 123" diag.	1	\$342.00
	21655	Fabric, Video Spectra 1.5 65" x 104" - 123" diag.	1	\$342.00
	34849	Fabric, Matte White 69" x 110" - 130" diag.	1	\$358.00
	34850	Fabric, High Contrast Matte White 69" x 110" - 130" diag.	1	\$394.00
	34851	Fabric, Video Spectra 1.5 69" x 110" - 130" diag.	1	\$394.00
	70461	Fabric, Matte White 72.5" x 116" - 137" diag.	1	\$358.00
	70462	Fabric, High Contrast Matte White 72.5" x 116" - 137" diag.	1	\$394.00
	70463	Fabric, Video Spectra 1.5 72.5" x 116" - 137" diag.	1	\$394.00
	34853	Fabric, Matte White 87" x 139" - 164" diag.	1	\$581.00
	34854	Fabric, High Contrast Matte White 87" x 139" - 164" diag.	1	\$601.00
	34855	Fabric, Video Spectra 1.5 87" x 139" - 164" diag.	1	\$601.00
		Video (4:3) Format		
	93475	Fabric, Matte White 43" x 57" - 72" diag.	1	\$105.00
	93476	Fabric, High Contrast Matte White 43" x 57" - 72" diag.	1	\$115.00
	93478	Fabric, Video Spectra 1.5 43" x 57" - 72" diag.	1	\$115.00
	93480	Fabric, Matte White 50" x 67" - 84" diag.	1	\$129.00
	93481	Fabric, High Contrast Matte White 50" x 67" - 84" diag.	1	\$141.00
	93483	Fabric, Video Spectra 1.5 50" x 67" - 84" diag.	1	\$141.00
	48625	Fabric, Matte White 60" x 80" - 100" diag. (Prior to 2-8-19)	1	\$193.00
	92810	Fabric, High Contrast Matte White 60" x 80" - 100" diag. (Prior to 2-8-19)	1	\$209.00
	83084	Fabric, Video Spectra 1.5 60" x 80" - 100" diag. (Prior to 2-8-19)	1	\$209.00
	12220	Fabric, Matte White 60" x 80" - 100" diag. (2-8-19 and later)	1	\$193.00
	12221	Fabric, High Contrast Matte White 60" x 80" - 100" diag. (2-8-19 and later)	1	\$209.00
	12222	Fabric, Video Spectra 1.5 60" x 80" - 100" diag. (2-8-19 and later)	1	\$209.00
	74342	Fabric, Matte White 69" x 92" - 120" diag. (Prior to 2-8-19)	1	\$267.00
	92811	Fabric, High Contrast Matte White 69" x 92" - 120" diag. (Prior to 2-8-19)	1	\$292.00
	83085	Fabric, Video Spectra 1.5 69" x 92" - 120" diag. (Prior to 2-8-19)	1	\$292.00
	12223	Fabric, Matte White 69" x 92" - 120" diag. (2-8-19 and later)	1	\$267.00
	12224	Fabric, High Contrast Matte White 69" x 92" - 120" diag. (2-8-19 and later)	1	\$292.00
	12225	Fabric, Video Spectra 1.5 69" x 92" - 120" diag. (2-8-19 and later)	1	\$292.00
	77173	Fabric, Matte White 87" x 116" - 150" diag.	1	\$358.00
	92812	Fabric, High Contrast Matte White 87" x 116" - 150" diag.	1	\$394.00
	86845	Fabric, Video Spectra 1.5 87" x 116" - 150" diag.	1	\$394.00
	77294	Fabric, Matte White 105" x 140" - 180" diag.	1	\$678.00
	86832	Fabric, Matte White 120" x 160" - 200" diag.	1	\$864.00
		Square Format		
	90858	Fabric, Matte White 60" x 60"	1	\$105.00
	92780	Fabric, High Contrast Matte White 60" x 60"	1	\$115.00
	90860	Fabric, Video Spectra 1.5 60" x 60"	1	\$115.00
	90862	Fabric, Matte White 70" x 70"	1	\$129.00
	92799	Fabric, High Contrast Matte White 70" x 70"	1	\$141.00
	90864	Fabric, Video Spectra 1.5 70" x 70"	1	\$141.00

Diagram Number	Da-Lite Number	Description	Quantity Required	List Price Each
	34293	Fabric, Matte White 72" x 72"	1	\$138.00
	37113	Fabric, High Contrast Matte White 72" x 72"	1	\$151.00
	37114	Fabric, Video Spectra 1.5 72" x 72"	1	\$151.00
	76103	Fabric, Matte White 84" x 84" (Prior to 2-8-19)	1	\$209.00
	92802	Fabric, High Contrast Matte White 84" x 84" (Prior to 2-8-19)	1	\$231.00
	83078	Fabric, Video Spectra 1.5 84" x 84" (Prior to 2-8-19)	1	\$231.00
	12238	Fabric, Matte White 84" x 84" (2-8-19 and later)	1	\$209.00
	12239	Fabric, High Contrast Matte White 84" x 84" (2-8-19 and later)	1	\$231.00
	12240	Fabric, Video Spectra 1.5 84" x 84" (2-8-19 and later)	1	\$231.00
	74342	Fabric, Matte White 6' x 8'	1	\$267.00
	92811	Fabric, High Contrast Matte White 6' x 8'	1	\$292.00
	83085	Fabric, Video Spectra 1.5 6' x 8'	1	\$292.00
	46124	Fabric, Matte White 8' x 8' (Prior to 2-8-19)	1	\$300.00
	92804	Fabric, High Contrast Matte White 8' x 8' (Prior to 2-8-19)	1	\$332.00
	83080	Fabric, Video Spectra 1.5 8' x 8' (Prior to 2-8-19)	1	\$332.00
	12241	Fabric, Matte White 8' x 8' (2-8-19 and later)	1	\$300.00
	12242	Fabric, High Contrast Matte White 8' x 8' (2-8-19 and later)	1	\$332.00
	12243	Fabric, Video Spectra 1.5 8' x 8' (2-8-19 and later)	1	\$332.00
	46125	Fabric, Matte White 7' x 9'	1	\$311.00
	92805	Fabric, High Contrast Matte White 7' x 9'	1	\$342.00
	83081	Fabric, Video Spectra 1.5 7' x 9'	1	\$342.00
	46126	Fabric, Matte White 9' x 9'	1	\$479.00
	46127	Fabric, Matte White 8' x 10'	1	\$358.00
	92806	Fabric, High Contrast Matte White 8' x 10'	1	\$394.00
	83083	Fabric, Video Spectra 1.5 8' x 10'	1	\$394.00
	46128	Fabric, Matte White 10' x 10'	1	\$597.00
	77294	Fabric, Matte White 9' x 12'	1	\$678.00
	46130	Fabric, Matte White 12' x 12'	1	\$535.00
17	38244	Slat cap, black plastic	2	\$0.53
18	87044	Slat for 60" and 72" diag. screens	1	\$6.30
	87045	Slat for 70" and 84" diag. screens	1	\$7.50
	33638	Slat for 72" screens	1	\$7.70
	87046	Slat for 84", 100" diag., 92" diag. and 94" diag. screens	1	\$8.50
	87047	Slat for 8', 120" diag., 106" diag. and 109" diag. screens	1	\$9.70
	72401	Slat for 110" diag. and 113" diag. screens	1	\$10.00
	45074	Slat for 9', 119" diag. and 123" diag. screens	1	\$10.90
	35020	Slat for 130" diag. screens	1	\$11.20
	45075	Slat for 10', 150" diag., 133" diag. and 137" diag. screens	1	\$11.90
	45076	Slat for 12', 180" diag., 159" diag. and 164" diag. screens	1	\$14.50
	86844	Slat for 200" diag. screens	1	\$17.80
19	25735	Screw for saddle assy.	8	\$0.25
20	76991	Bail frame for 60", 70", 72" diag., and 84" diag. screens	1	\$3.40
	93855	Pop rivet for D-ring and bail frame for 60", 70", 72" diag., 84" diag. and 72" screens	2	\$0.25
21	45253	D-ring, black	1	\$0.36

Diagram Number	Da-Lite Number	Description	Quantity Required	List Price Each
22	78259	Saddle assy. for 9', 110" diag., 119" diag., 113" diag. and 123" diag. screens	1	\$26.50
	78260	Saddle assy. for 10', 12', 150" diag., 180" diag., 200" diag., 133" diag., 159" diag., 130" diag., 137" diag. and 164" diag. screens	1	\$33.00
	58253CSR	Pull cord (not shown)	1	\$3.40
	98840	Packing for 60" screens	1	\$35.20
	98841	Packing for 70" screens	1	\$29.00
	33655	Packing for 72" screens	1	\$29.40
	95050	Packing for 84" screens (Prior to 2-8-19)	1	\$44.00
	95051	Packing for 8' screens (Prior to 2-8-19)	1	\$49.50
	12256	Packing for 84" screens (2-8-19 and later)	1	\$44.00
	12257	Packing for 8' screens (2-8-19 and later)	1	\$49.50
	95191	Packing for 110" diag. screens	1	\$50.60
	95052	Packing for 9' screens	1	\$54.90
	35022	Packing for 130" diag. screens	1	\$58.60
	95053	Packing for 10' screens	1	\$60.40
	95054	Packing for 12' screens	1	\$69.70
	95055	Packing for 200" diag. screens	1	\$77.40
	Note #1	For all 9', 8' x 10', 110" diag., 113" diag., 150" diag., 119" diag., 133" diag., 159" diag., 123" diag., 130" diag., 137" diag. and 164" diag. screens		
Note #2	For all 10' x 10', 9' x 12', 12' x 12', 180" diag. and 200" diag. screens			