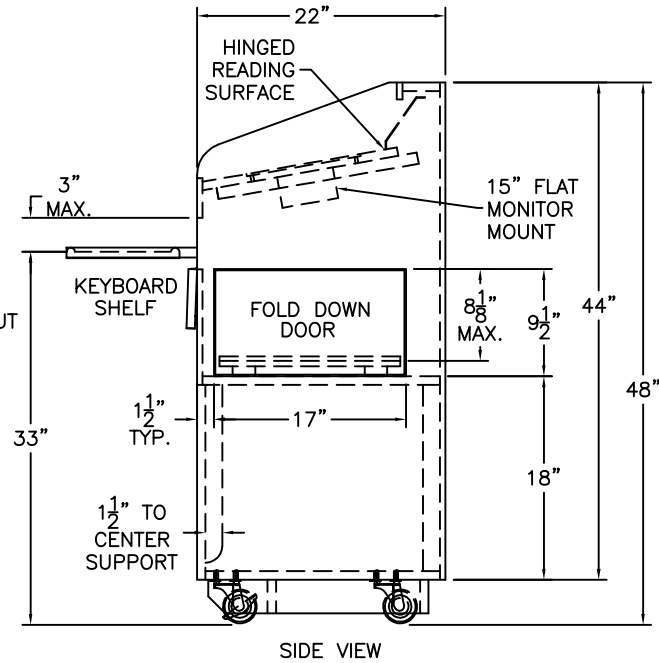
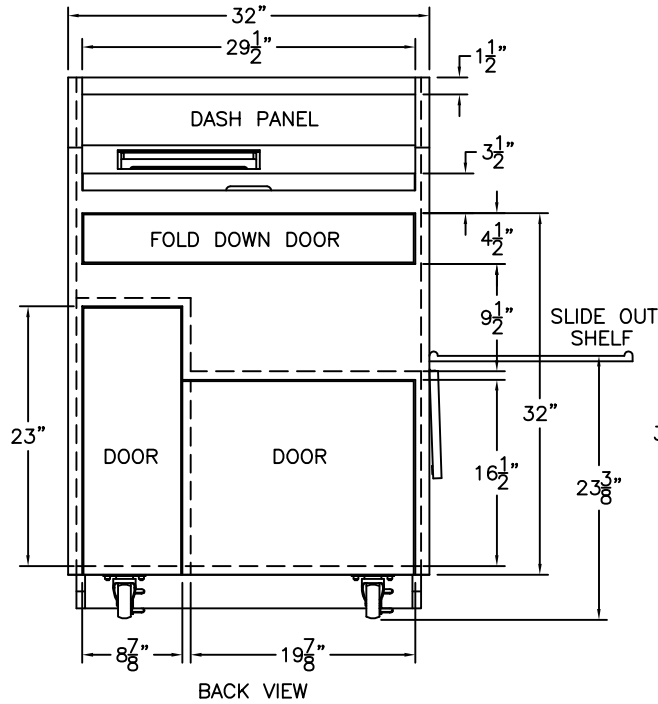
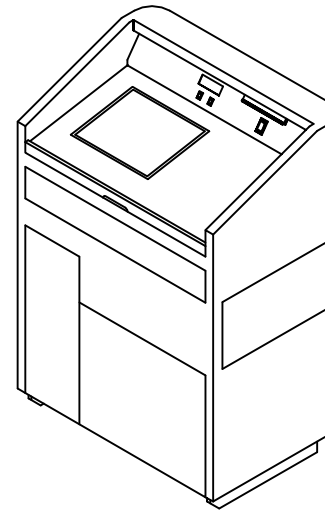
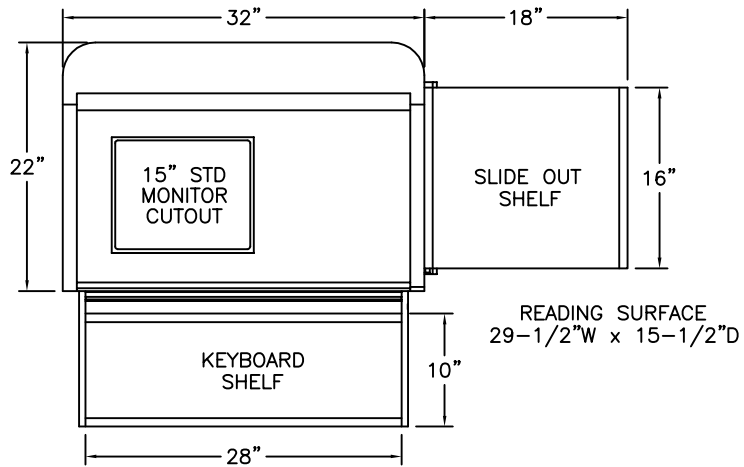


THIS PRINT SUPERSEDES
ANY PRINT DATED PRIOR TO:
7-9-04

NO:



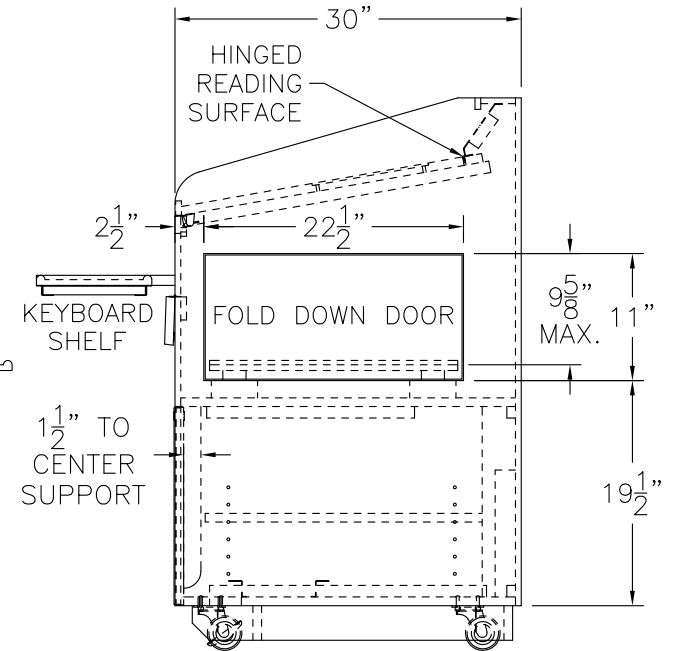
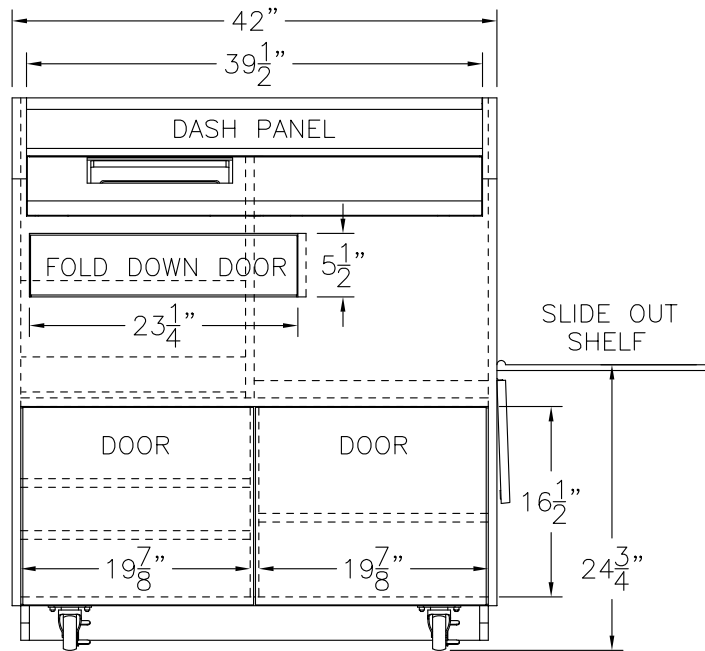
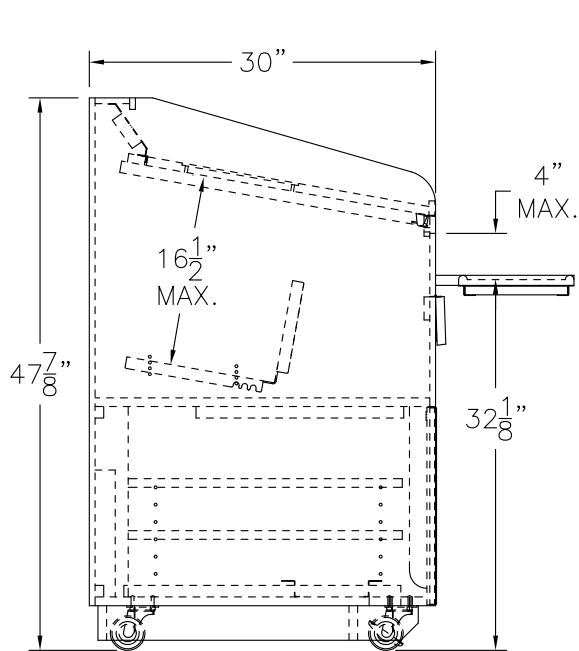
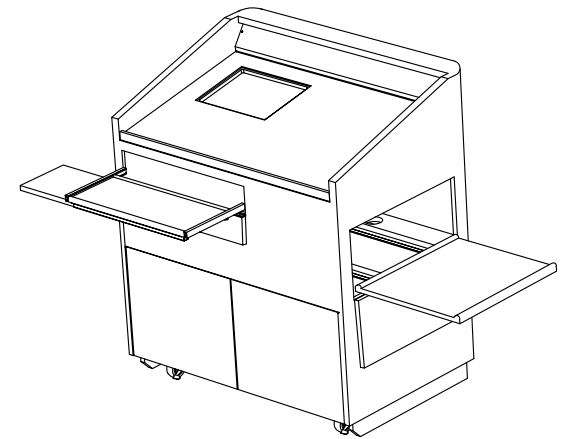
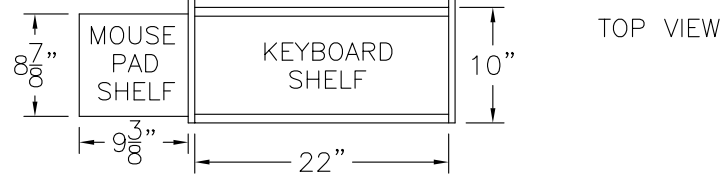
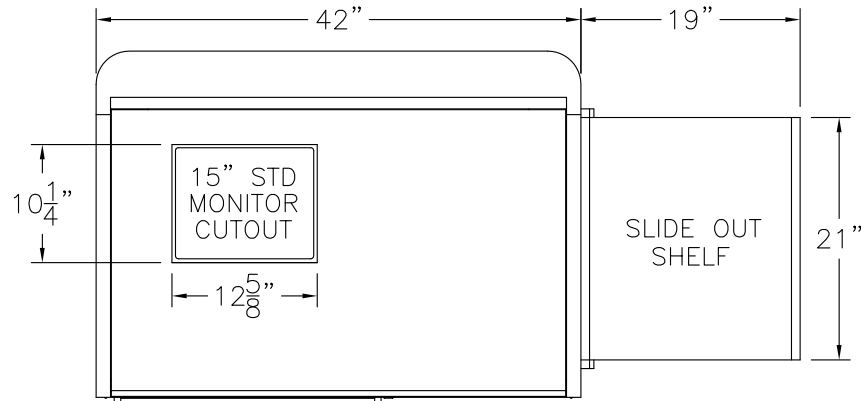
SIDE VIEW

SCALE: 1=16	DRAWN BY: K.J.L.	DATE: 7-9-04	APP'D BY:	DATE:
MATERIAL NO: N/A	FINISH: N/A		CAD	
NAME: CONCORD 32" MULTI-MEDIA LECTERN				
DA-LITE SCREEN CO. WARSAW, INDIANA, USA			NO:	

REVISION				
REVISED BY:				
APP'D BY:				

THIS PRINT SUPERSEDES
ANY PRINT DATED PRIOR TO:
6-12-07

NO:

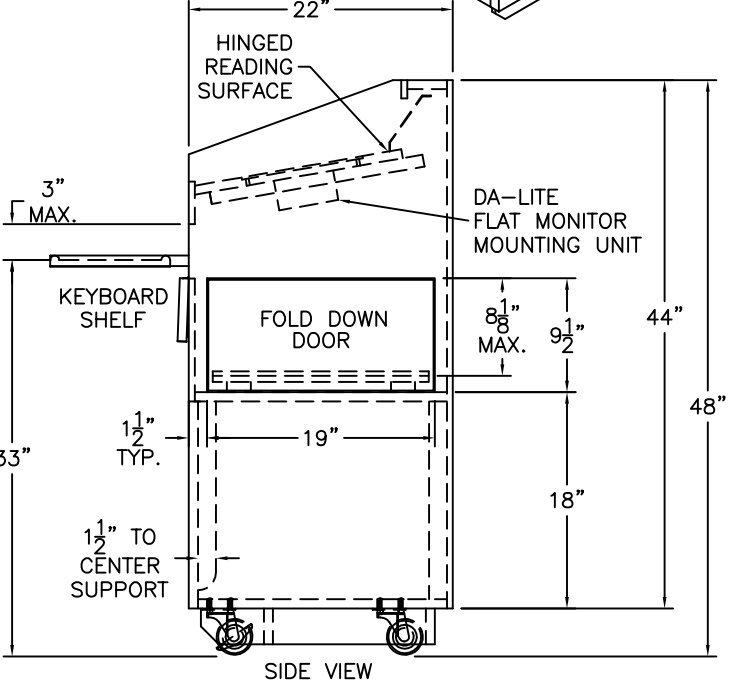
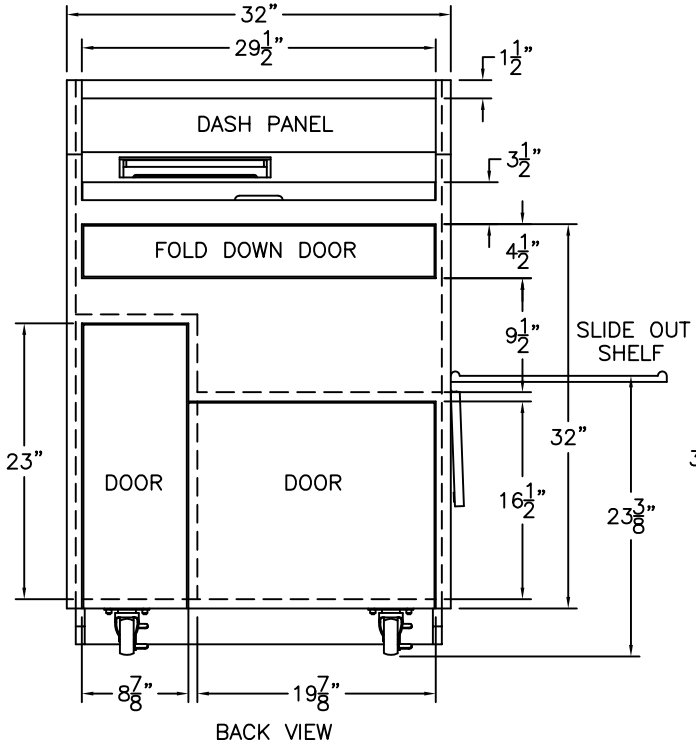
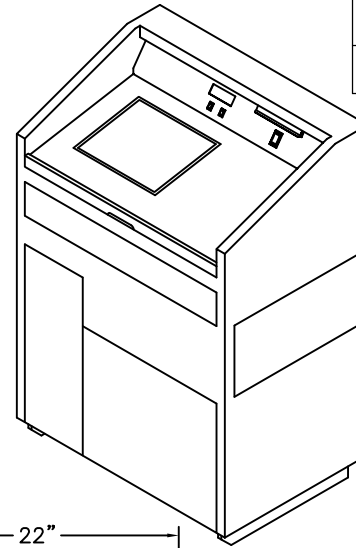
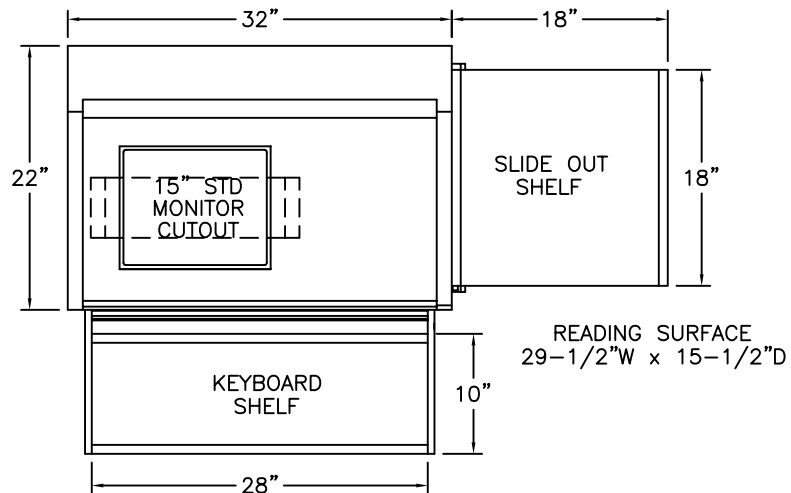


REVISION					
REVISED BY:					
APP'D BY:					

SCALE: 1=17	DRAWN BY: K.J.L.	DATE: 6-12-07	APP'D BY:	DATE:	CAD
NAME: CONCORD 42" MULTI-MEDIA LECTERN					
DA-LITE SCREEN CO. INC.				NO:	
WARSAW, INDIANA, USA					

THIS PRINT SUPERSEDES
ANY PRINT DATED PRIOR TO:
7-9-04

NO:



SCALE: 1=16 DRAWN BY: K.J.L. DATE: 7-9-04 APP'D BY: DATE:

MATERIAL NO: N/A FINISH: N/A CAD

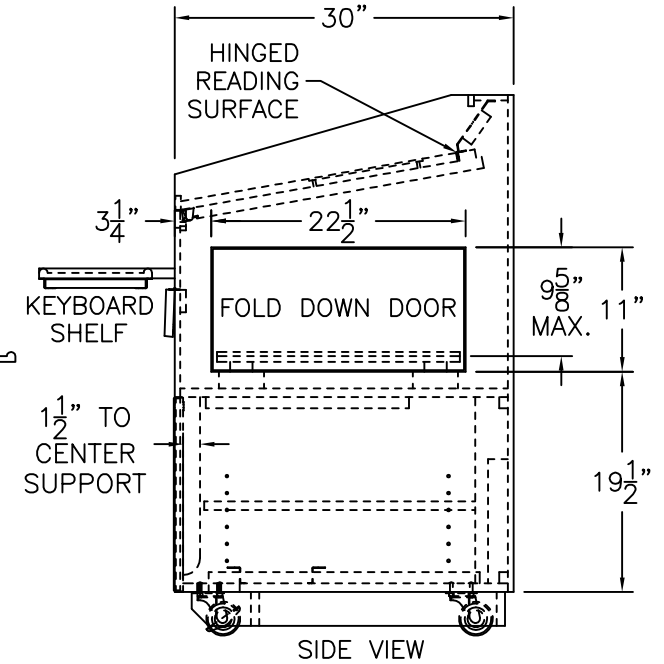
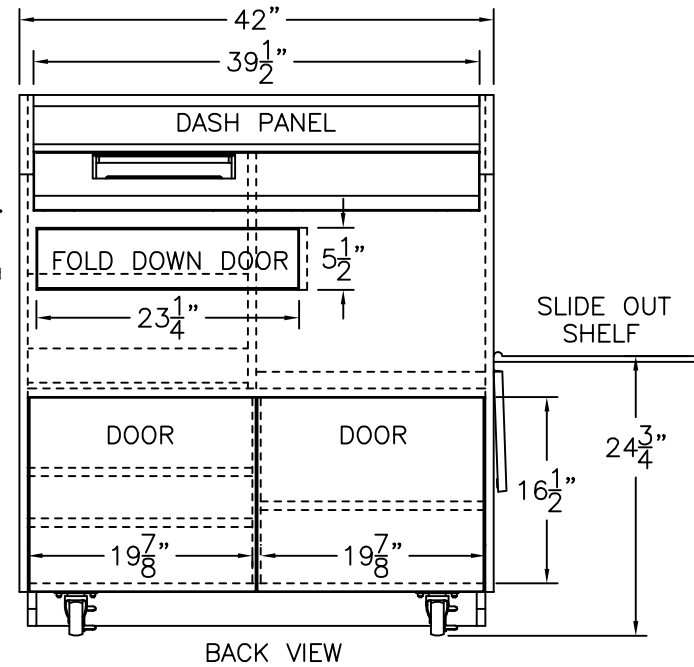
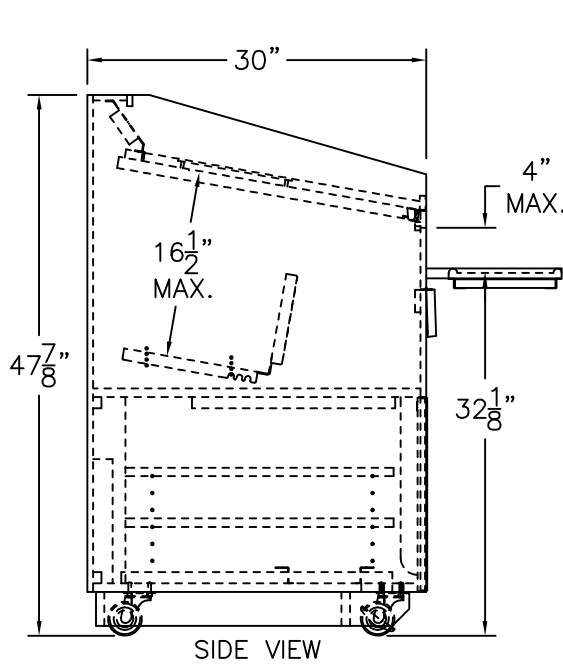
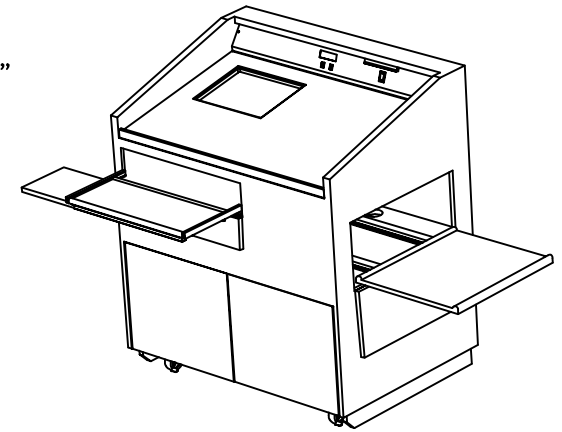
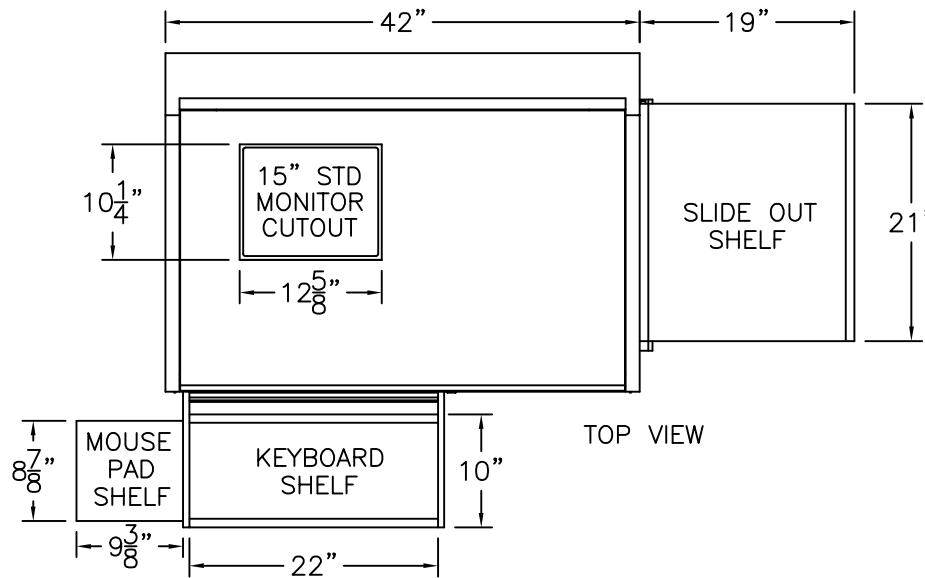
NAME: LEXINGTON 32" MULTI-MEDIA LECTERN

DA-LITE SCREEN CO. NO: WARSAW, INDIANA, USA

REVISION				
REVISED BY:				
APP'D BY:				

THIS PRINT SUPERSEDES
ANY PRINT DATED PRIOR TO:
7-9-04

NO:



REVISION				
REVISED BY:				
APP'D BY:				

SCALE: 1=17	DRAWN BY: K.J.L.	DATE: 7-9-04	APP'D BY:	DATE:	CAD
NAME: LEXINGTON 42" MULTI-MEDIA LECTERN					
DA-LITE SCREEN CO. INC. WARSAW, INDIANA, USA				NO:	