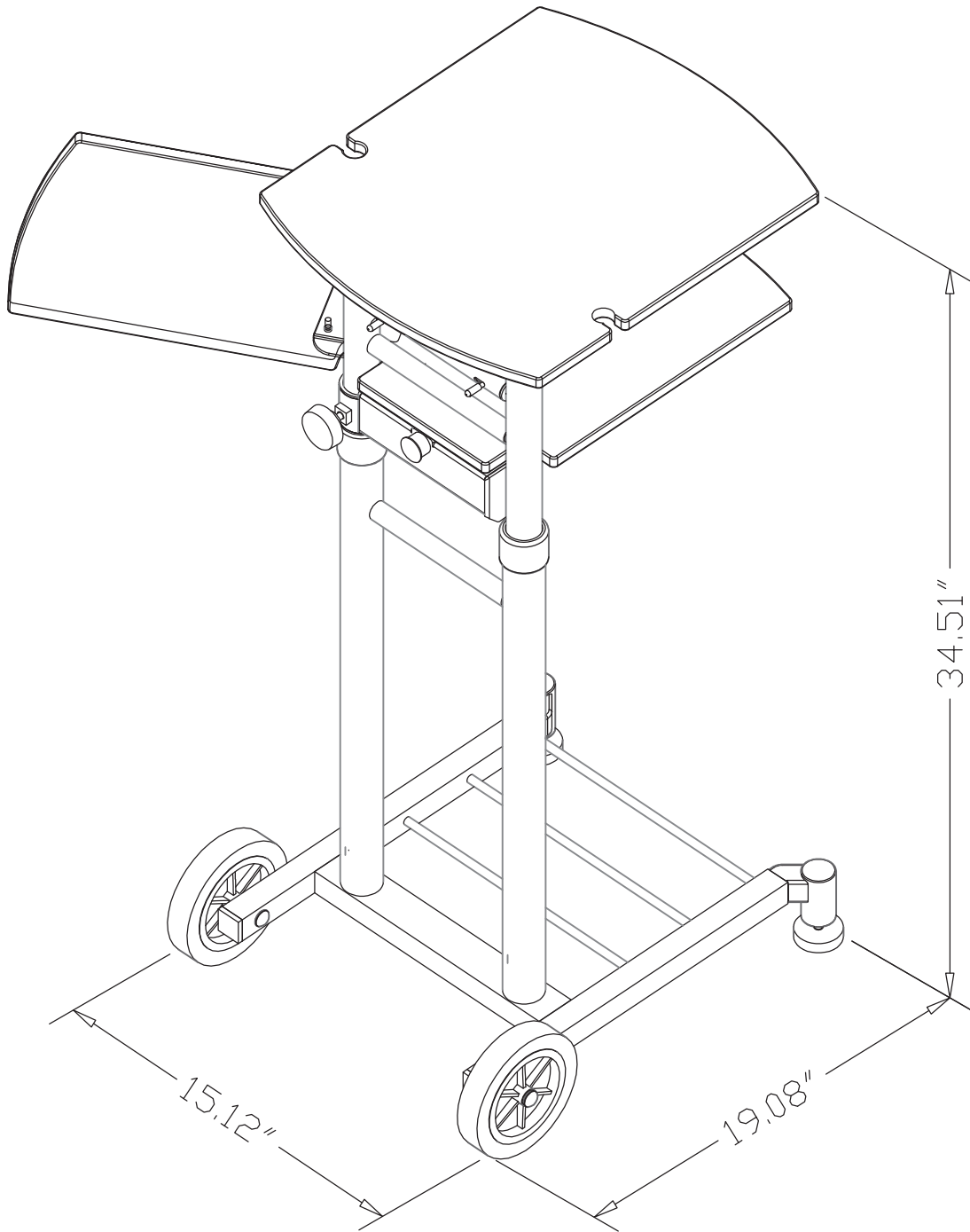


THIS PRINT SUPERSEDES
ANY PRINT DATED PRIOR TO:
4-24-07

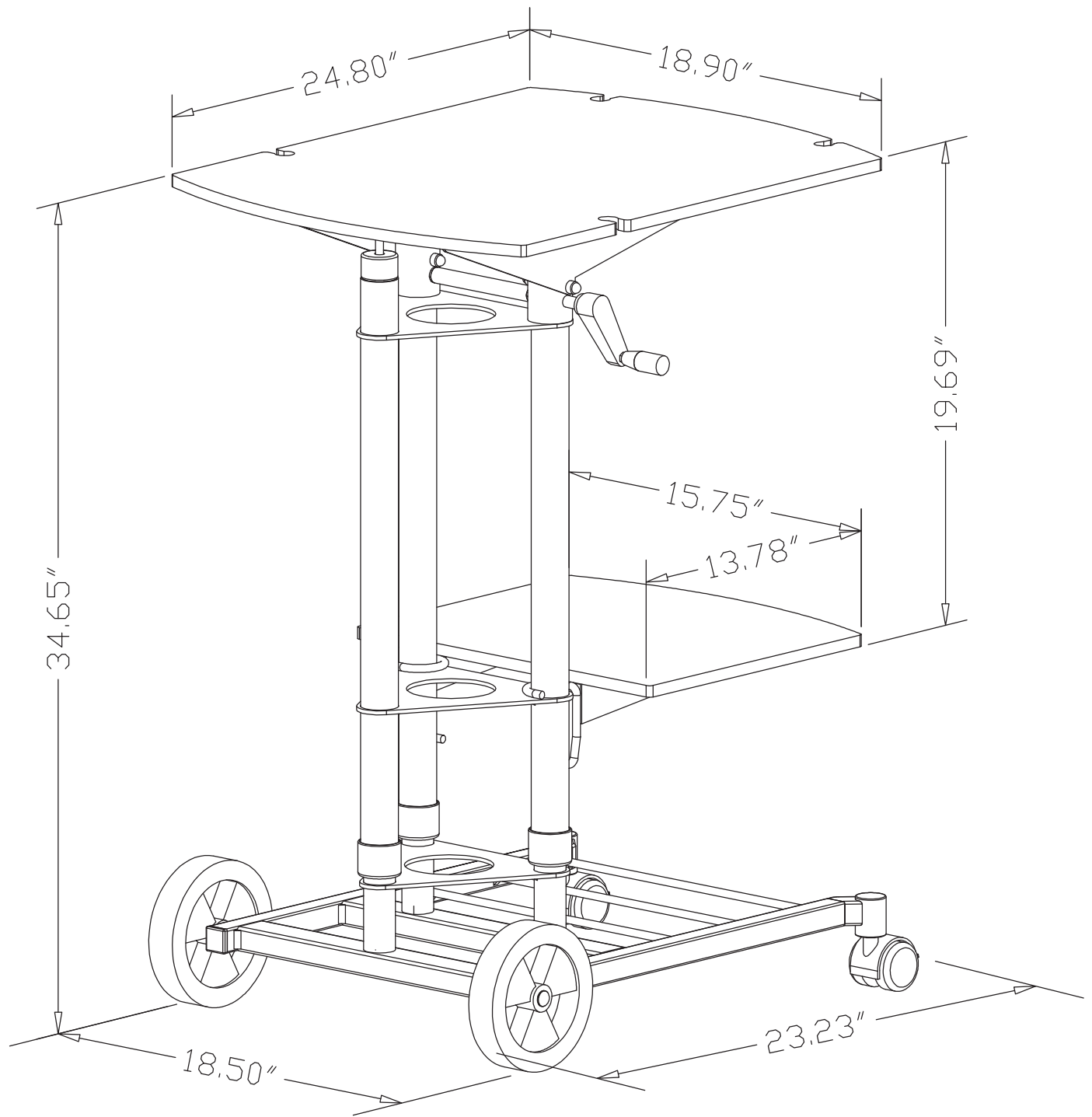
NO:



SCALE: NONE	DRAWN BY: D.E.K.	DATE: 4-24-07	APP'D BY:	DATE:
MATERIAL NO: N/A	FINISH: N/A		CAD	
NAME: STANDMASTER I				
DA-LITE SCREEN CO. WARSAW, INDIANA, USA			NO: _____	

THIS PRINT SUPERSEDES
ANY PRINT DATED PRIOR TO:
4-27-07

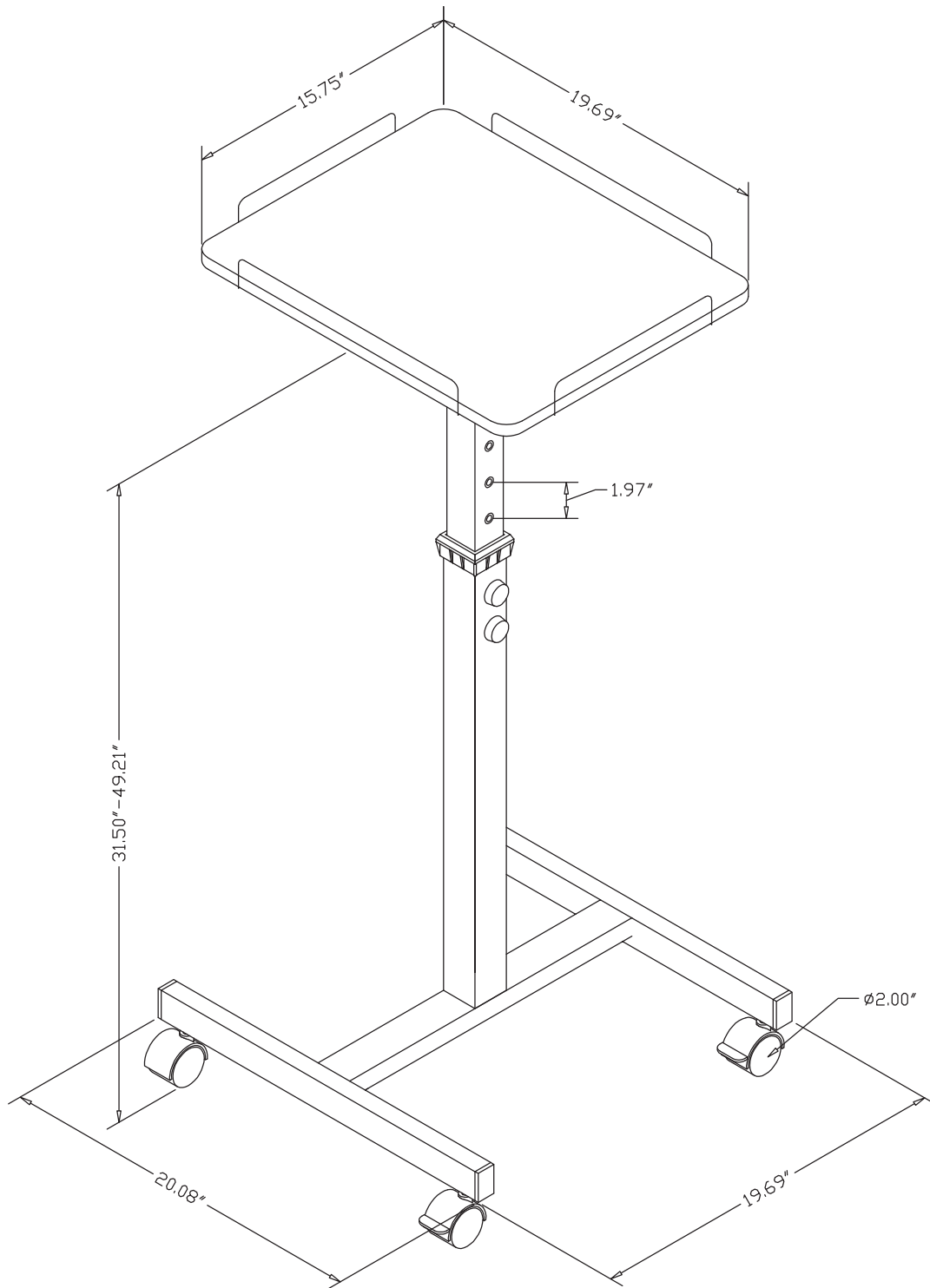
NO:



SCALE: NONE	DRAWN BY: D.E.K.	DATE: 4-27-07	APP'D BY:	DATE:
MATERIAL NO: N/A	FINISH: N/A		CAD	
NAME: STANDMASTER II				
DA-LITE SCREEN CO. WARSAW, INDIANA, USA			NO: _____	

THIS PRINT SUPERSEDES
ANY PRINT DATED PRIOR TO:
4-23-07

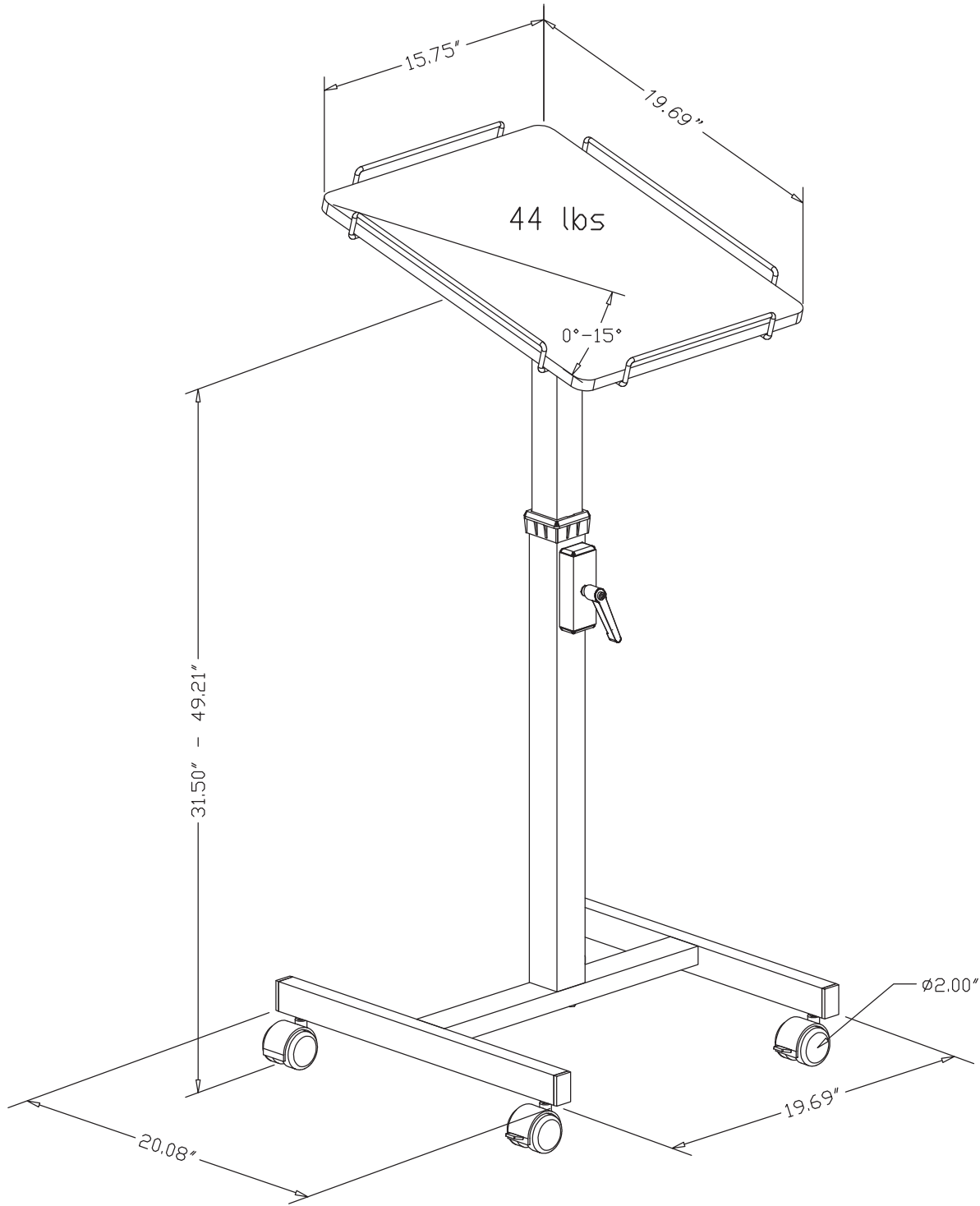
NO:



SCALE: NONE	DRAWN BY: D.E.K.	DATE: 4-23-07	APP'D BY:	DATE:
MATERIAL NO: N/A	FINISH: N/A		CAD	
NAME: PH 800-1250				
DA-LITE SCREEN CO. WARSAW, INDIANA, USA			NO: _____	

THIS PRINT SUPERSEDES
ANY PRINT DATED PRIOR TO:
4-23-07

NO: _____



SCALE: NONE	DRAWN BY: D.E.K.	DATE: 4-23-07	APP'D BY:	DATE:
MATERIAL NO: N/A	FINISH: N/A		CAD	
NAME: PHT 800-1250				
DA-LITE SCREEN CO. WARSAW, INDIANA, USA			NO: _____	