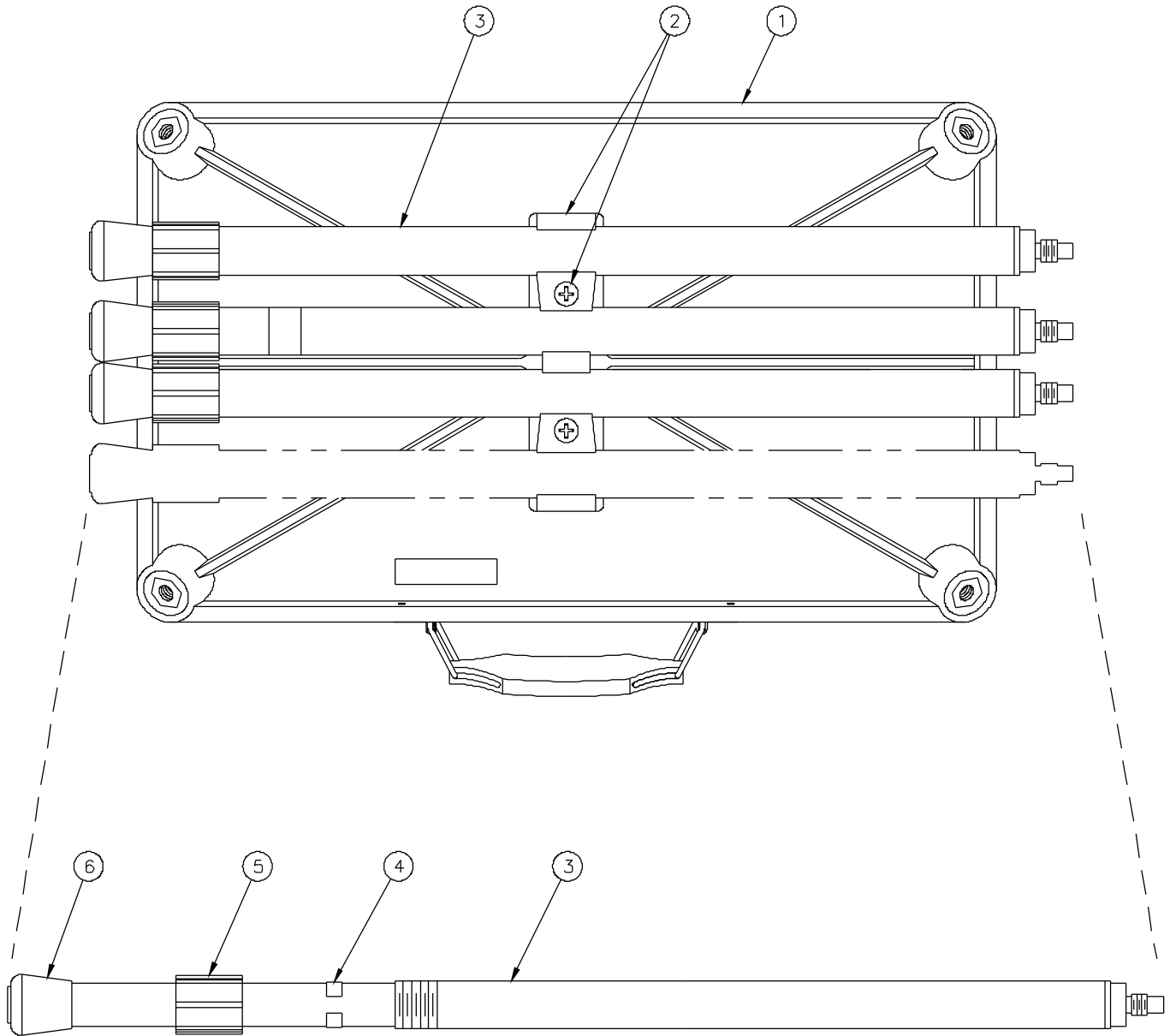


Project-O-Stand

Parts List



| Diagram Number | Da-Lite Number | Description | Quantity Required | List Price Each |
|----------------|----------------|---|-------------------|-----------------|
| 1 | 58974 | Table top assy., 425 (includes 2) | 1 | \$173.00 |
| | 58972 | Table top assy., 203 (includes 2) | 1 | \$135.00 |
| 2 | 42073 | Rubber leg holder (includes two screws) | 1 | \$27.90 |
| 3 | 58962 | Leg assy., 31 3/8" - 56 3/8" (includes # 4, 5, and 6) | 4 | \$40.50 |
| 4 | 48037 | Nylon ring | 4 | \$0.40 |
| 5 | 48038 | Nylon collar | 4 | \$4.80 |
| 6 | 48042 | Crutch tip | 4 | \$1.55 |
| | 48402 | Carton for 425 stand | 1 | \$6.80 |
| | 48224 | Carton for 203 stand | 1 | \$6.80 |