

INSTRUCTION BOOK FOR
Tensioned Executive Electrol

DA-LITE[®]

Important Safety Instructions

When using your video equipment, basic safety precautions should always be followed, including the following:

1. Read and understand all instructions before using.
2. Position the cord so that it will not be tripped over, pulled, or contact hot surfaces.
3. If an extension cord is necessary, a cord with a current rating at least equal to that of the appliance should be used. Cords rated for less amperage than the appliance may overheat.
4. To reduce the risk of electric shock, do not disassemble this appliance. Contact an authorized service dealer when repair work is required. Incorrect reassembly can cause electric shock when the appliance is used subsequently.
5. The use of an accessory attachment not recommended by the manufacturer may cause a risk of fire, electric shock, or injury to persons.

Save These Instructions

Pre-Installation

1. Carefully unpack screen and remove outer wrapping from case.
2. Remove instructions cover and please read instructions. (Fig. 1)
3. Remove fabric and cardboard strips from access door. (Fig. 1)
4. Remove access door by gently prying from edge of box toward the fabric door.
5. FOR TYPE 3 INSTALLATION ONLY. Remove wood strips along bottom of screen case.

NOTE: Screen surface is not centered in box. Screen surface is 25" from motor end.

6. Make sure to recheck measurements of screen location before installation.
7. Remove, reverse, and remount center support brackets.

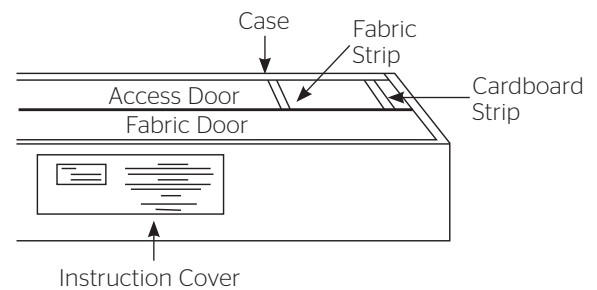


Figure 1

Installation

1. Position screen under mounting location with the case opening down.
2. Install screen by raising unit into position between joists at one end only. Install one lag screw in each mounting bracket. Secure opposite end. Support center of the screen using the brackets.
3. Level unit lengthwise with a carpenter's level and a plum level.

⚠ CAUTION! Do not secure access door or seal in unit until screen has been secured in position and properly tested for satisfactory operation. Do not fit unit so tightly that the screen surface drop door binds. Door drops by gravity only.

⚠ ATTENTION! Ne fixez pas la trappe d'accès ou ne scellez pas l'unité jusqu'à ce qu'il ait été correctement mis en place et qu'il fonctionne convenablement. Ne serrez pas l'unité au point que la surface de la trappe d'accès de l'écran soit bloquée. La trappe tombe uniquement à cause de la gravité.

Installation (Continued)

- If you are going to cover screen door with paneling or other materials, allow access (suitable holes or a plug) to screws for servicing.
- Use supplied 1/8" hex key and a 7/16" wrench to remove silver shipping brackets attached to slat and screen case.
- Picture surface should hang freely. (Fig. 2) Remove any tape left hanging on back of fabric. Bottom edge should be positioned between bottom edge of case and center of roller.
- Install electrical hook up that applies to your unit. Unit should be installed by a qualified electrician.

NOTE: Must be installed in accordance with the requirements of the Local Building Codes, the Canadian Electrical Code (CEC), CAN/CSA C22.1 and the National Electric Code (NEC), NFPA 70.

- Test installation by carefully running picture surface "up" and "down" several times. Be prepared to stop screen. Fabric door must open freely to 90°.
- Make sure picture surface, when rolled down, has a full wrap around roller. No part of roller should be exposed. Fabric door and picture surface will drop simultaneously when switch is pressed "down". Door will close simultaneously with picture surface as picture surface rolls into case.

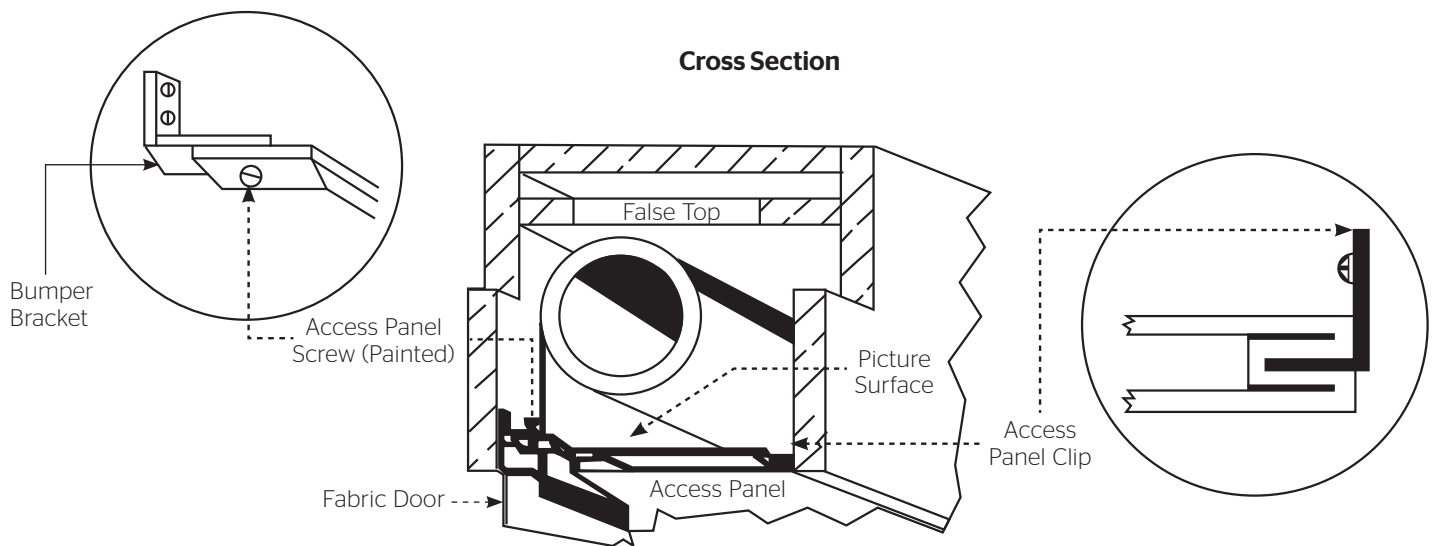


Figure 2

Access Door Installation

- Press switch "down" so that fabric door opens (Fig. 2).
- Remove screws (2) located on each bumper bracket.

NOTE: The access door is slotted on one edge, permitting the slotted section to fit over the access panel clips on inside of case.

- Place access panel so slot can be pushed over clips. Holes in access panel brackets should align with bumper bracket holes.

- Replace screws.
- Make sure there is approximately 3/16" clearance around access door. Keep paint, plaster, tile or mastic out of hinge. Fit access panel so it can be removed for maintenance.

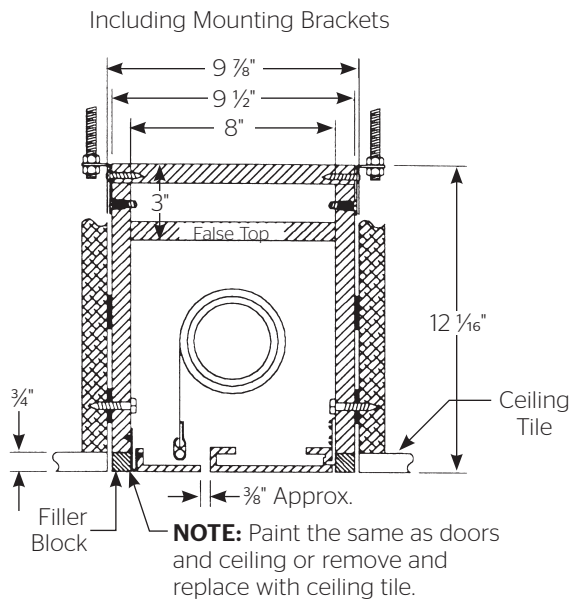
Screen Adjustment

The picture surface drop, and the opening and closing of the fabric door, are controlled automatically by limit switches which have been preset at Da-Lite. When the picture surface is moving upward, it is controlled by a limit switch that shuts off when the door closes. The height for tensioned screens are adjusted at Da-Lite, changing the height of screen will change the tension on fabric and cause the screen to hang improperly. Do not adjust.

Suggested Methods of Installation

Type 1 & 2

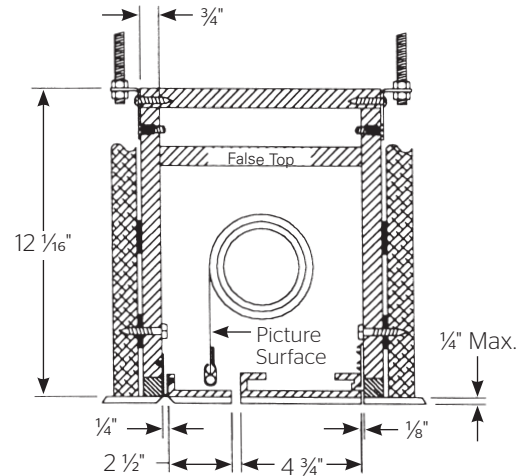
Offset mounting, recessed above ceiling, for plaster, dry wall or paneling. Door painted same finish as ceiling.



Type 1 & 2

Allow 1/8" min. clearance all around surface door.

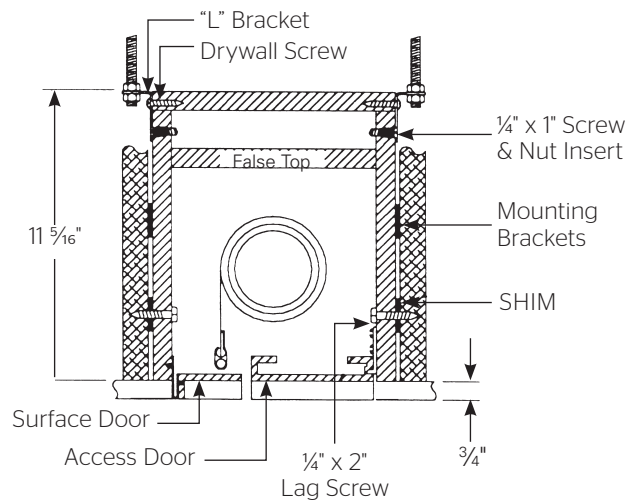
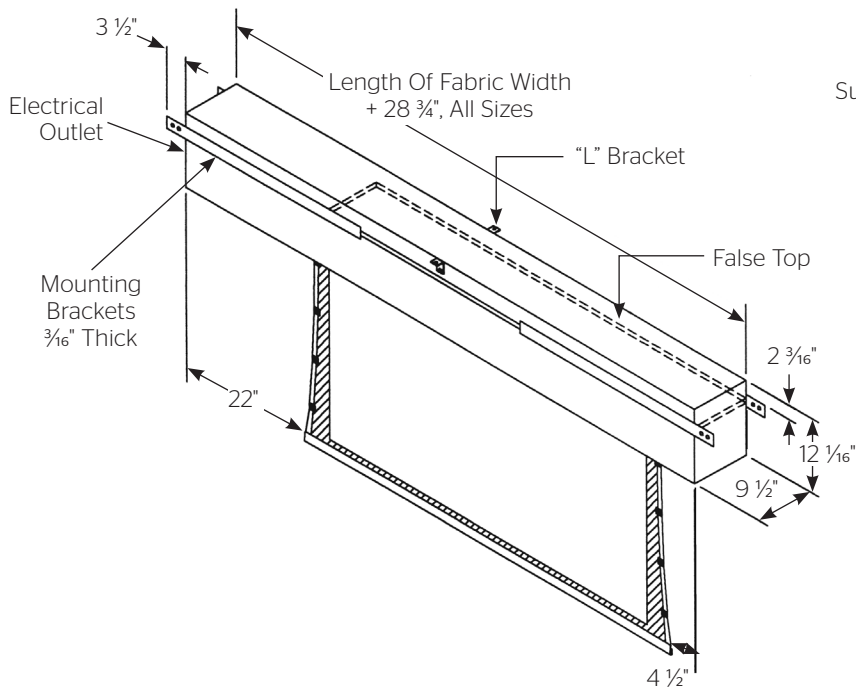
Flush mounting, recessed above ceiling. For use with 1/4" max. paneling or installation in existing ceiling using molding around door.



Type 3

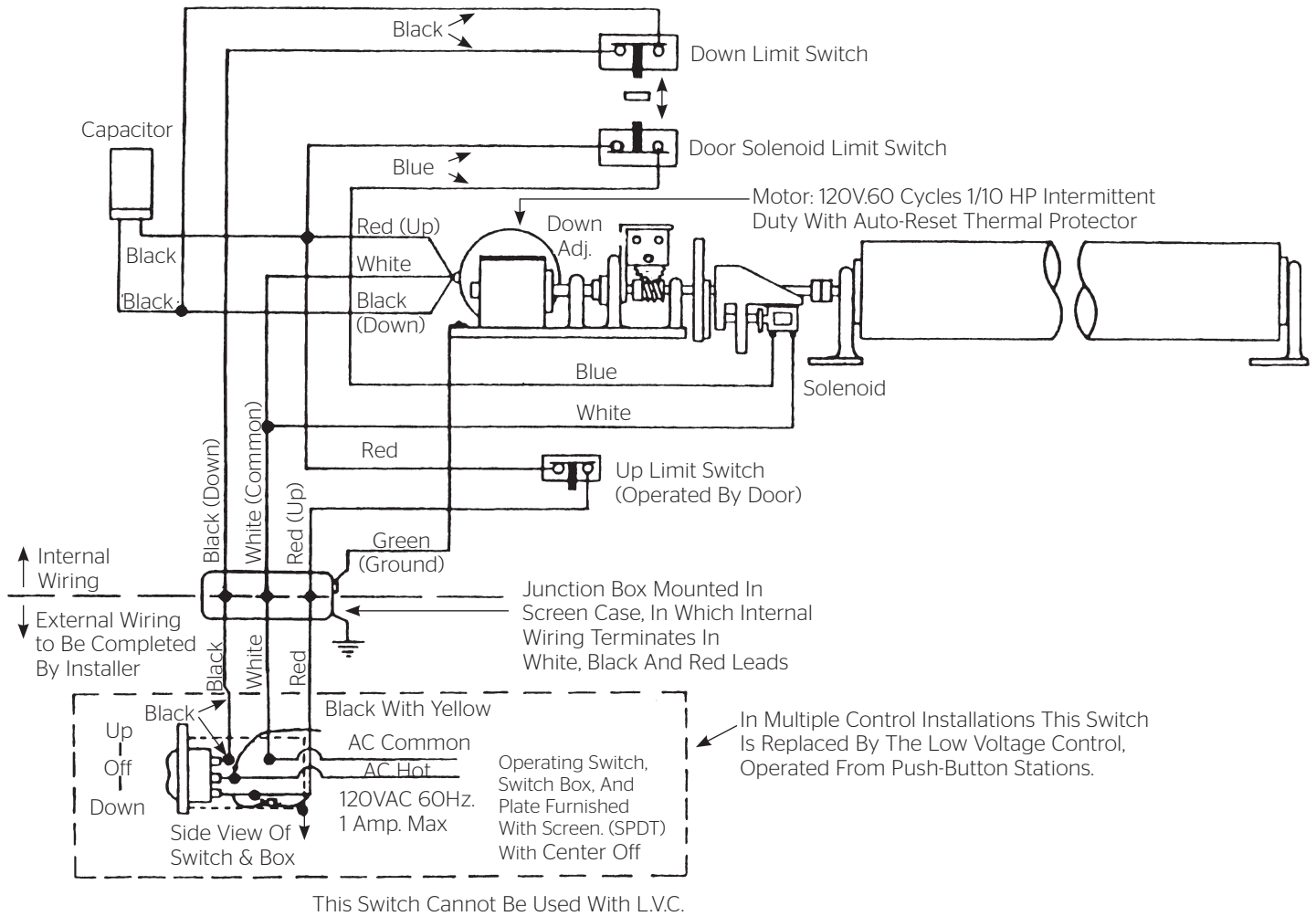
Allow 1/4" min. clearance all around surface door.

Extended mounting, recessed above ceiling. For use with acoustical or other ceiling tile 3/4" thick laid over door.



Tensioned Executive Electrol® Installation

120V Wiring Diagram



240 Volt Wiring Diagram For Standard Wall Switch:

Da-Lite offers two styles of 240 volt wall switches for standard operation. Please see wiring diagram included in wall switch box included with screen.

Troubleshooting

Visit www.da-lite.com to find installation and troubleshooting tutorials. You will also find a link to Live Chat for interactive support and you can contact us by email at info@da-lite.com or by phone at (800) 622-3737 or (574) 267-8101 with any troubleshooting questions.

Symptom	Cause	Solution
Screen will not operate or will not go "down". Motor does not hum.	Blown fuse.	Replace fuse.
	Tripped circuit breaker.	Reset circuit breaker.
	Improper wiring to operating switch.	Tighten all loose wire connections. Correct any improper connections. Check for power. "Down" Position Check for power across black and white leads. "Up" Position Check for power across red and white leads.
	Improper wiring to junction box in screen. NOTE: Use low voltage control (LVC) electrical checklist for either 1- or 3- button control. Defective wall switch. Defective LVC unit.	"Down" Position Check for power at black and white leads. "Up" Position Check for power at red and white leads. Shut power "off" at breaker. Remove wall switch and check for broken or loose connection. Replace if defective. Check LVC electrical checklist.
	Thermal overload tripped (excessive overheating).	Let motor cool down for 15 minutes. Try again.
	Burned out motor winding.	Disconnect motor leads and check for continuity between black and white wires for "down" position. Check for continuity between red and white wires for "up" position. Replace gear motor if either combination shows an open circuit.
	Defective limit switch.	Disconnect "down" limit switch from circuit. Check for continuity. Switches are normally closed and open on contact. Replace if defective.
Motor hums.	Temporary fabric binding.	With power "off," turn roller by hand to free binding.
	Shipping bracket not removed.	Remove shipping bracket and wooden wedge.
	Defective capacitor.	Replace capacitor.

Troubleshooting

Symptom	Cause	Solution
Screen will not move “up.” Motor does not hum. Motor hums.	No power between red and white leads in junction box. Check LVC. See above.	Check fuse. Reset circuit breaker. Correct improper wiring.
	Thermal overload tripped (acts as a breaker).	Let motor cool for 15 minutes. Try again.
	Burned out motor winding.	Check for power between red and white motor leads. Replace motor if there is power.
	Temporary fabric binding.	With power “off,” turn roller by hand to free binding.
	Burned out capacitor.	Replace capacitor.
Screen starts upward and door closes immediately shutting off motor.	Defective solenoid limit switch. Solenoid pin not retracting.	Manually retract pin a few times.
	Defective solenoid.	Check for power to the solenoid terminals. If there is power, replace solenoid. Check blue wire between solenoid switch and solenoid. It is either crimped or broken. Repair or replace.
Fabric door does not fully open. Screen runs. NOTE: Remember, door must open by gravity.	Door binding. Plaster, paint or adhesive can cause the hinge to stick.	Clean hinge and apply oil.
	Case may be put into a bind during installation.	Tighten or loosen lag screws located on back of case.
	Inadequate clearance around the fabric door on new installations.	Provide adequate clearance.
Clicking noise in each downward revolution.	Non-energized solenoid. NOTE: There should be three clicks.	Check for power to solenoid.
		Replace solenoid.
Loud buzzing noise.	Solenoid not fully retracting.	Check for foreign object caught in solenoid. Remove object. Tighten 4 mounting screws. Check for pin binding.
Door closes on fabric, leaving 15" to 20" left hanging out.	Lost roller wrap.	See installation instructions.

Troubleshooting

Symptom	Cause	Solution
Screen jammed. Will not operate, motor hums, door open, closing mechanism detached from door.	Closing mechanism detached from door, allowing it to jam into box.	After securing fabric to roller, loosen set screws on motor gear and manually rotate solenoid assembly back over top of roller into position, then reattach door. Match flats on motor drive shaft to gear set screws and tighten.
Scraping or grinding noise.	If metal shipping bracket is left attached to screen, it may be rubbing on motor end of roller.	Remove shipping brace.
Gear noise.	Gear may need light weight grease.	Apply light weight grease.
Incorrect down limit switch setting.	Lost roller wrap.	See installation instructions.
	Limit switch out of adjustment.	See door closure and timing instructions.
Door closes and screen continues to run upward.	Door limit out of adjustment.	Loosen nut holding limit switch. Rotate adjusting position, then secure.
	Door limit switch is shorted.	Repair short or replace limit switch.

LIMITED ONE YEAR WARRANTY ON DA-LITE PRESENTATION PRODUCTS

Milestone AV Technologies LLC warrants certain Da-Lite branded products to the original purchaser only, to be free from defects in materials and workmanship for a period of one (1) year from the date of purchase by the original purchaser; provided they are properly operated according to Da-Lite's instructions and are not damaged due to improper handling or treatment after shipment from the factory.

This warranty does not apply to equipment showing evidence of misuse, abuse or accidental damage, or which has been tampered with or repaired by a person other than authorized Da-Lite personnel.

Da-Lite's sole obligation under this warranty shall be to repair or to replace (at Da-Lite's option) the defective part of the merchandise. Returns for service should be made to your Da-Lite dealer. If it is necessary for the dealer to return the screen or part to Da-Lite, transportation expenses to and from Da-Lite are payable by the purchaser and Da-Lite is not responsible for damage in shipment. To protect yourself against damage or loss in transit, insure the product and prepay all transportation expenses.

TO THE MAXIMUM EXTENT PERMITTED BY APPLICABLE LAW, THIS WARRANTY IS IN LIEU OF ALL OTHER WARRANTIES, EXPRESS OR IMPLIED, INCLUDING WARRANTIES AS TO FITNESS FOR USE AND MERCHANTABILITY. Any implied warranties of fitness for use, or merchantability, that may be mandated by statute or rule of law are limited to the one (1) year warranty period. This warranty gives you specific legal rights, and you may also have other rights, which vary from state-to-state. **TO THE MAXIMUM EXTENT PERMITTED BY APPLICABLE LAW, NO LIABILITY IS ASSUMED FOR EXPENSES OR DAMAGES RESULTING FROM INTERRUPTION IN OPERATION OF EQUIPMENT, OR FOR INCIDENTAL, DIRECT, OR CONSEQUENTIAL DAMAGES OF ANY NATURE.**

In the event that there is a defect in materials or workmanship of a Da-Lite product, you may contact our Sales Partners at PO Box 137, Warsaw, IN 46581-0137, (574) 267-8101, (800) 622-3737.

IMPORTANT: THIS WARRANTY SHALL NOT BE VALID AND DA-LITE BRANDED PRODUCTS SHALL NOT BE BOUND BY THIS WARRANTY IF THE PRODUCT IS NOT OPERATED IN ACCORDANCE WITH THE DA-LITE WRITTEN INSTRUCTIONS.

Keep your sales receipt to prove the date of purchase and your original ownership.



A Milestone AV Technologies Brand

3100 North Detroit Street
Warsaw, Indiana 46582
P: 574.267.8101 or 800.622.3737
F: 574.267.7804 or 877.325.4832
E: info@da-lite.com
www.da-lite.com

DL-0266 (Rev. 2) 10.14

© 2014 Milestone AV Technologies LLC. Printed in U.S.A.

76359